

**USB/microSD media player
with *BLUETOOTH*
Instruction manual**

**USB/microSD-медиаплеер
с *BLUETOOTH*
Руководство по эксплуатации**

Dear customer!

Thank you for purchasing our product. For safety, it is strongly recommended to read this manual carefully before connecting, operating and/or adjusting the product and keep the manual for reference in the future. This device is intended for installation in a vehicle with onboard voltage 12 V. Designed to receive radio FM and playing MP3 from media USB and microSD (TF).

Table of contents

Table of contents	2
Important safeguards	3
Accessories	4
Installation/Connection	5
Control elements	8
General operations	9
Bluetooth operations	12
Radio operations	13
USB/TF operations	14
Troubleshooting guide	15
Specification	16

Important safeguards

- Read carefully through this manual to familiarize yourself with this high-quality sound system.
- The beginning of operation is the moment of the unit installation. Before use the device in winter it is recommended to heat up the passenger compartment during 20 seconds or to the operation temperature.
- Use the unit with the temperature that goes beyond the operation temperature greatly decreases the operation resource of the screen and other components of device and can result an outage.
- Disconnect the vehicle's negative battery terminal while mounting and connecting the unit.
- When replacing the fuse, be sure to use one with an identical amperage rating. Using a fuse with a higher amperage rating may cause serious damage to the unit.
- Make sure that pins or other foreign objects do not get inside the unit; they may cause malfunctions, or create safety hazards such as electrical shock.
- Do not use the unit in places where it can be exposed to water, moisture and dust.
- Do not open covers and do not repair yourself. Consult the dealer or an experienced technician for help.
- Make sure you disconnect the power supply and aerial if you will not be using the system for a long period or during a thunderstorm.
- Make sure you disconnect the power supply if the system appears to be working incorrectly, is making an unusual sound, has a strange smell, has smoke emitting from it or liquids have got inside it. Have a qualified technician check the system.
- The unit is designed for negative terminal of the battery, which is connected to the vehicle metal. Please confirm it before installation.
- Do not allow the speaker wires to be shorted together when the unit is switched on. Otherwise it may overload or burn out the power amplifier.

SOUNDMAX

SOUNDMAX

Accessories

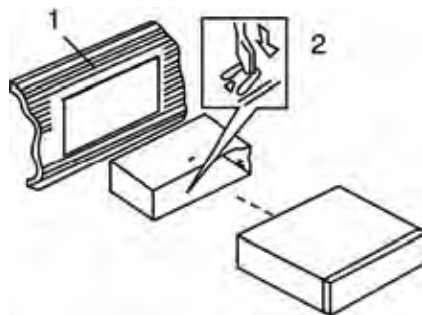
- | | |
|-----------------------|-------|
| 1. Receiver | 1 pc |
| 2. Mounting parts: | |
| Release key | 2 pcs |
| Mounting collar | 1 pc |
| 3. Instruction manual | 1 pc |

Installation/Connection

General notes

- Choose the mounting location where the unit will not interfere with the normal driving function of the driver.
- Before finally installing the unit, connect the wiring and make sure that the unit works properly.
- Consult with your nearest dealer if installation requires the drilling of holes or other modifications of the vehicle.
- Install the unit where it does not get in the driver's way and cannot injure the passenger if there is a sudden stop, like an emergency stop.
- Avoid installing the unit where it would be subject to high temperature, such as from direct sunlight, or from hot air, from the heater, or where it would be subject to dust, dirt or excessive vibration.
- Install the sleeve into the dashboard; ensure it is installed with the correct side and there are no obstacles (wires, dashboard elements, etc) for the unit installation.
- After installing the sleeve into the dashboard, bend tabs fitting to the size of the dashboard to fix the sleeve in place.
- Make the necessary wire connections. Ensure the connections are correct.
- Install the unit into the sleeve until the side locks are fixed.

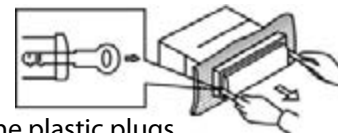
1. Dash board
2. Sleeve tab to bend



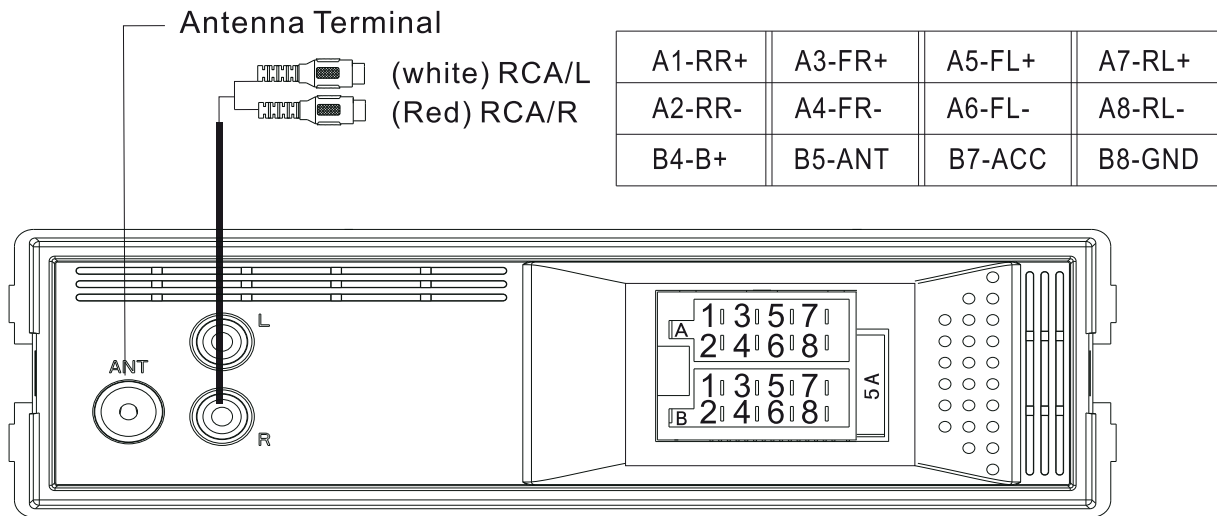
SOUNDMAX

Dismantling the unit

1. Make sure the ignition is turned off, then disconnect the cable from the vehicle battery's negative (-) terminal.
2. Remove the metal strap attached the back of the unit (if attached).
3. Insert both of the supplied keys into the slots at the middle left and right sides of the unit, then pull the unit out of the dashboard, for this you need to break the plastic plugs.



Connection diagram



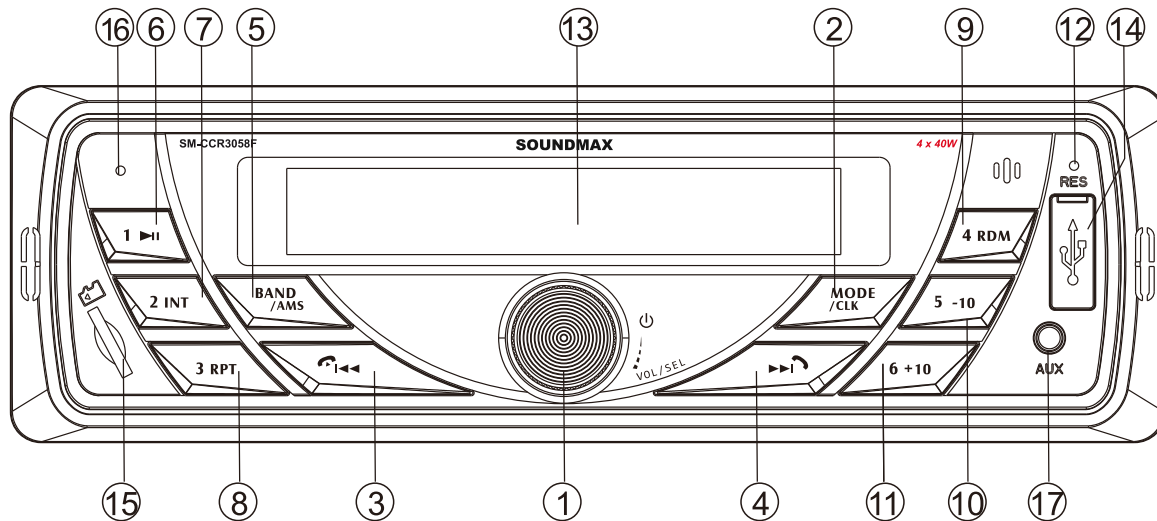
Notes:

- In spite of having any kinds of speaker system, must use 4 ohms impedance of speaker to reduce the distortion during high volume level.
- It is prohibited making the conductors of auto antenna and ground touch with each other.
- The negative electrode of the speaker mustn't be grounded, or else it may burn the player!



Attention, connection ISO need be carefully matched with description on RL, connection any wrong cables (WHITE-BLACK/ GREEN-BLACK/ PURPLE-BLACK/ GRAY-BLACK) with Black cable (Ground) can be reason of defect of built-in amplifier.

Control elements



Front panel

- | | |
|------------------------------|-------------------|
| 1. Power/Vol/Function select | 10. 5 -10 button |
| 2. MODE/CLK button | 11. 6 +10 button |
| 3. button | 12. Reset |
| 4. button | 13. LCD Display |
| 5. BAND/AMS button | 14. USB port |
| 6. 1 button | 15. TF Card Slot |
| 7. 2 INT button | 16. Bluetooth Mic |
| 8. 3 RPT. button | 17. Aux-in port |
| 9. 4 RDM button | |

General operations

Turning the unit on/off

Press and hold the  button to turn the unit on. Press and hold this button again to switch the device off.

Reset the unit

When first using the device or after replacing the car battery, you must reset the unit. Press the RESET button (hole) with a pointed object (such as a ballpoint pen) to set the unit to its initial state.

When some errors occur, you can also press the RESET button to return to factory settings, but note that it will erase clock setting and some memorized functions.

Mode selection

Press the MOD/CLK button repeatedly to select between Radio, AUX, USB and SD modes. Operation modes are indicated on the display. USB and SD mode is not available unless a memory card or a USB device is connected.

Volume control

Adjust the volume by rotating the VOLUME knob.

Button volume knob is multi-functional and assignment depends on the mode of operation of the device.

Description of the functions in various modes on.

Clock

Press and hold the MOD/CLK to show the time for 5 seconds. When the time is shown, press and hold the button until the clock starts to blink, then rotate the volume knob to set the current hour. Then press the button again to adjust minutes (the minutes on display will blink), rotate the volume knob to set the current minutes. Press the button again to confirm the clock setting.

Phone hang up/Previous/Scan previous channel (⏮)

- In radio state, hold and press this key to scan channel manually, or press to scan automatically, then hold and press the key in 1-6 to save the channel.
- In MP3 playing state, press this key to select previous track, or press and hold it to fast rewind.
- Once connected, press this key to hang up the phone incoming or answering.

Phone answer/Next/Scan next channel (⏭)

- In radio state, hold and press this key to scan channel manually, or press to scan automatically, then hold and press the key in 1-6 to save the channel.
- In MP3 playing state, press this key to select next track, or press and hold it to fast forward.
- Once connected, press this key to answer the phone. Bluetooth state, hold and press this key to dial the last phone number.

Button 2 INT

- In radio state, press this key to listen to preset channel, or press and hold it for 2 secs to save the channel to 2 after setting or scanning.
- In MP3 playing state, press this key to browse tracks, and switch to next track automatically after 10 secs; press it again to resume normal playing.

Button 3 RPT

- In radio state, press this key to play preset radio channel, or press and hold it for 2 secs to save the channel to 3 after setting or scanning.
- In MP3 playing state, press this key to repeat playing one track, and press it again to resume normal playing.

Button 4 RDM

- In radio state, press this key to play preset radio channel, or press and hold it for 2 secs to save the channel to 4 after setting or scanning.
- In MP3 playing state, press this key to play in random, and press it again to cancel random playing.

Button 5 -10

- In radio state, press this key to play the preset channel, or press and hold it for 2 secs to save the channel to 5 after setting or scanning.
- In MP3 playing state, press this key to skip previous 10 tracks.

Button 6 +10

- In radio state, press this key to play the preset channel, or press and hold it for 2 secs to save the channel to 6 after setting or scanning.
- In MP3 playing state, press this key to skip next 10 tracks.

Audio parameter setting

In player/radio mode, short press the volume knob to enter ST/MONO and dH/LOC/CH/STEP (i.e. Radio stereo/Mono channel, Short/long-range receiver, Manual search and Frequency step) function, and turn VOL knob to select the relevant function.

In player state, press and hold this key to select files, press and hold it again to select and play next folder, and so on.

AUX input

AUX-in jack is intended for connecting an external audio equipment to amplify the sound. If connection is made correctly, the audio signal from the external source will be transmitted through the acoustics of the head unit. This enables to adjust the volume and quality of the sounding. For example, you can connect an MP3-player to listen to tracks using the car acoustic system.

Bluetooth operations

1. Pair with cell phone

Please put your cell phone close enough to the pairing device and turn on the Bluetooth function, then search the device BT name "SM-CCR3058F"(Password:0000) to match up.

2. Dial via Bluetooth

Once connected, press the "Mode" key to change into "BT" state. Then press the "▶▶" key on front panel to dial the last receiving phone number.

3. Receive call via Bluetooth

Once connected, when there is an incoming call, press "▶▶" on front panel to answer the phone. If changed the call-receiving device, press and hold the "BND/AMS"key to change the receiver between cell phone and main device. When the conversation is over, press "◀◀" on front panel to hang up the phone.

4. Play music via Bluetooth

Once connected, press the Mode key and change into BT state, then press the "1/▶" key on front panel to play the music of cell phone, press again to pause playing.

Bluetooth Mic

In Bluetooth communication process,sound enters from here.

Radio operations

Band select

In Radio mode press the BND/AMS button to select a radio band: FM1 => FM2 => FM3.

Manual/automatic tuning

- In radio mode, short press VOL knob three times into "CH" mode and turn the VOL knob into the "STEP" mode, short press **◀◀** or **▶▶** to select radio stations. Once the operation stops for more than 5 s, the system will be return to "CH" mode.
- In "STEP" mode, after manually selecting the right radio station, long press **◀◀** or **▶▶** button to store it. Display will blink three times to confirm this storage and the previous station will be replaced.
- Press and hold **◀◀** or **▶▶** button, the unit will start the automatic search of a next or previous station with a strong signal in this band.

Storing and recalling stations

- Press and hold the BND/AMS button for several to seconds to automatically and store 18 strongest stations (for 6 in each band).
- Press shortly **◀◀** or **▶▶** button. The radio will select the previous or next stored station.

USB/TF operations

TF card slot

Carefully insert the TF card into the card slot on the front panel. Unit starts playback automatically. To disconnect the memory card, press it until a click, and then carefully pull it out from the slot.

USB port

Carefully connect a USB driver to the USB jack on the front panel. Unit starts playback automatically.

USB/SD notes

USB format supports 2.0. Capacity: up to 32 GB. MicroSD/TF cards capacity: up to 32 GB. Supported file systems are FAT/FAT32.

Note: Because of the great variety of products with SD-card slots and their sometimes quite manufacturer-specific functions the producer can neither guarantee that all devices will be recognized nor that all operating options that are possible in theory will actually work. Before disconnecting a storage, switch the unit to another mode.

Next/Previous track

Press ►► or ◀◀ buttons to choose next or previous track. Press and hold this button to choose forward playback or backward playback; release the button to return to normal playback.

Troubleshooting guide

Below is a table describing simple measures that can help you eliminate most problems likely to emerge when this unit is in use. If below measures do not help, turn to a service center or to the nearest dealer.

Symptom	Cause	Solution
No power	Wiring is connected incorrectly.	Make correct wiring connection.
	The car ignition is not on.	If the power supply is properly connected to the car accessory, switch the ignition on.
	The fuse is blown.	Replace the fuse.
No sound	Volume is in minimum.	Adjust volume to the desired level.
	Wiring is not properly connected.	Check wiring connection.
The radio does not work	The antenna cable is not connected.	Insert the antenna cable properly.
The radio station automatic tuning does not work	The signals are too weak.	Select stations manually.

Cleaning the unit body

Wipe with a soft cloth. If the cabinet is very dampen (not dropping wet) the cloth with a weak solution of soapy water, and then wipe clean.

SOUNDMAX

Specification

General	
Maximum power output	4 x 40 W
Required speaker impedance	4 Ohm
Fuse	5 A
Unit dimensions	178 x 50 x 38 mm
Net weight	0.36 kg
Working temperature range	from -20 degree to +60 degree
FM stereo radio	
Frequency range	87.5 - 108.0 MHz
Frequency step	0,05 MHz
Preset stations	18
Stereo separation	>25 dB
Player	
Supported storages	USB/microSD/TF
Support formats	Playback MP3 files from USB/TF (microSD) carriers
Bluetooth	
Version	3.0 + EDR, backward-compatible with BT1.2, 2.0 and 2.1
Protocol support	HFP v 1.6, HSP v1.2, A2DP 1.3
Line out	Stereo RCA output (2 V)
Line-in (AUX)	Mini Jack 3.5mm
Power supply	
Supply voltage	DC 12V

Specifications are subject to change without notice. Dimensions are approximate.

Уважаемый покупатель!

Благодарим Вас за покупку нашего изделия. Для обеспечения безопасности рекомендуется тщательно изучить настоящее руководство перед подключением, эксплуатацией и/или регулировкой изделия, и сохраняйте руководство для использования в будущем.

Данное устройство предназначено для установки в транспортное средство с бортовым напряжением 12 В. Предназначено для приёма радио в FM-диапазоне и в воспроизведении файлов MP3 с носителей USB и microSD (TF).

Содержание

СОДЕРЖАНИЕ	17
МЕРЫ ПРЕДОСТОРОЖНОСТИ	18
КОМПЛЕКТ ПОСТАВКИ.....	19
УСТАНОВКА/ПОДКЛЮЧЕНИЕ	20
ЭЛЕМЕНТЫ УПРАВЛЕНИЯ	23
ОБЩИЕ ОПЕРАЦИИ	24
ОПЕРАЦИИ С BLUETOOTH	27
ОПЕРАЦИИ С РАДИО	28
ОПЕРАЦИИ С USB/КАРТАМИ ПАМЯТИ microSD (TF)	29
РУКОВОДСТВО ПО УСТРАНЕНИЮ НЕИСПРАВНОСТЕЙ	30
ТЕХНИЧЕСКИЕ ХАРАКТЕРИСТИКИ	31
БЕЗОПАСНАЯ УТИЛИЗАЦИЯ	32
АДРЕСА СЕРВИСНЫХ ЦЕНТРОВ	33
ГАРАНТИЙНЫЙ ТАЛОН	35

Меры предосторожности

- Тщательно изучите настоящую инструкцию, чтобы ознакомиться с устройством.
- Началом эксплуатации устройства считается момент его установки в автомобиль. Перед началом использования устройства в зимний период рекомендуется прогреть салон автомобиля в течение 20 минут или до достижения эксплуатационного диапазона температуры устройства.
- Использование устройства при температуре, выходящей за рамки эксплуатационного диапазона температур, значительно снижает ресурс работы экрана и других компонентов устройства и может привести к выходу устройства из строя.
- При установке и подключении устройства отключите отрицательную клемму аккумулятора автомобиля.
- При замене предохранителя убедитесь, что вы устанавливаете предохранитель с тем же номиналом. Используя предохранитель с повышенным значением тока, можно причинить значительные повреждения устройству.
- Не используйте устройство в местах, где оно может подвергнуться воздействию воды, влаги и пыли.
- Убедитесь, что шпильки или другие посторонние предметы не попали внутрь устройства. Они могут вызвать сбой в работе или стать причиной опасности или возгорания.
- Не открывайте крышки и не проводите ремонт устройства самостоятельно. Обратитесь к дилеру или квалифицированному персоналу
- Убедитесь, вы отключили источник питания и антенну, если вы не будете пользоваться устройством в течение длительного времени или во время грозы.
- Убедитесь, что вы отключили источник питания, если обнаружена неправильная работа системы, система издает необычные звуки, запах, выделяет дым или внутрь ее попала жидкость. Проведите квалифицированный технический осмотр системы.
- Устройство разработано таким образом, чтобы отрицательный вывод аккумулятора был подключен к корпусу транспортного средства. Пожалуйста, убедитесь в этом перед установкой.
- Не позволяйте проводам динамиков касаться друг друга или корпуса автомобиля после включения устройства. В противном случае может быть перегружен или выйти из строя усилитель.

Комплект поставки

- | | |
|-------------------------------|------|
| 1. Ресивер | 1 шт |
| 2. Детали для установки: | |
| Ключ-съемник | 2 шт |
| Монтажный кожух | 1 шт |
| 3. Инструкция по эксплуатации | 1 шт |

Установка/Подключение

Общая информация

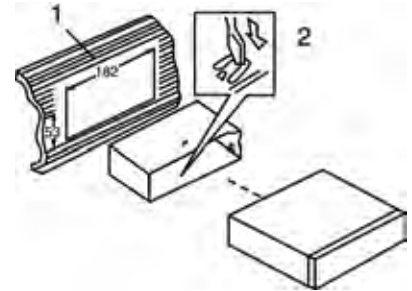
- Перед окончательной установкой устройства временно подключите все провода и убедитесь, что все соединения выполнены верно, а устройство и система работают правильно.
- Для обеспечения правильной установки устройства используйте только те детали, которые входят в комплект. Использование других приспособлений может привести к появлению сбоев в его работе.
- Если для установки устройства необходимо сверлить отверстия в кузове автомобиля или вносить какие-либо другие изменения в его конструкцию, проконсультируйтесь с продавцом.
- Устанавливайте устройство там, где оно не будет закрывать водителю обзор и отвлекать от дорожной обстановки и не сможет нанести травм пассажирам в случае внезапной остановки автомобиля, например, при экстренном торможении.
- Никогда не устанавливайте устройство в таких местах, где оно будет подвергаться воздействию высокой температуры, например, в местах попадания прямых солнечных лучей, в местах выхода горячего воздуха от отопителя автомобиля, в местах, где очень грязно или пыльно, или там, где устройство будет подвергаться сильной вибрации.

Установка устройства в приборную панель автомобиля

1. Приборная панель автомобиля

2. Металлический язычок монтажного кожуха.

- Установите монтажный кожух в приборную панель автомобиля, убедитесь, что он установлен правильной стороной и нет препятствий (провода, элементы приборной панели) для установки магнитолы.
- После установки монтажного кожуха в приборную панель отогните на нем металлические язычки, соответствующие толщине приборной панели. Это позволит закрепить кожух на месте



- Подключите необходимые провода и разъемы. Убедитесь в правильности подключения.
- Установите магнитолу в монтажный кожух до фиксации боковых защелок.

Снятие устройства

1. Убедитесь, что зажигание отключено, затем отсоедините провод от отрицательной (-) клеммы аккумулятора.
2. Вставьте оба ключа-съемника в прорези (предварительно выломаав пластиковые заглушки) на правой и левой сторонах фронтальной части декоративной рамки устройства, затем, держась за ключи, вытяните устройство на себя из приборной панели.

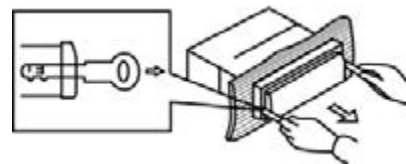
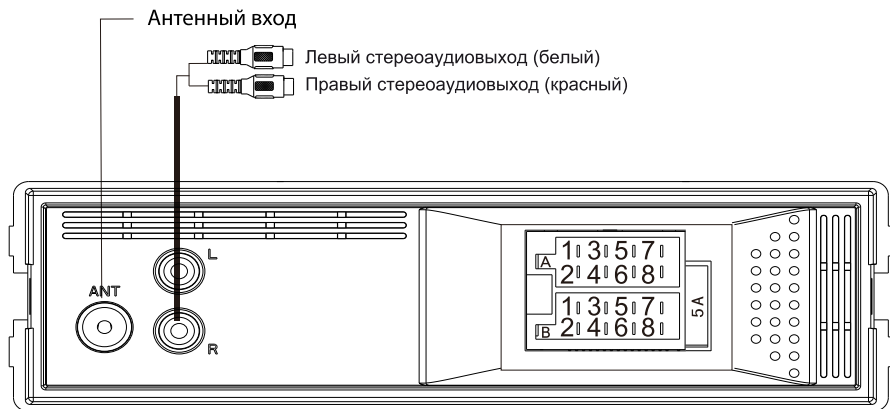


Схема подключения



- A1. Тыловой правый динамик +
- A2. Тыловой правый динамик -
- A3. Фронтальный правый динамик +
- A4. Фронтальный правый динамик -
- A5. Фронтальный левый динамик +
- A6. Фронтальный левый динамик -
- A7. Тыловой левый динамик +
- A8. Тыловой левый динамик -
- V4. Аккумулятор +
- V5. Антенна
- V7. Зажигание
- V8. Земление

Примечания:

- Независимо от вида динамиков следует использовать динамики с сопротивлением, равным 4 Ом, для уменьшения искажений при повышенной громкости.
- Запрещается соединять провода авто антенны и заземления между собой.
- Отрицательный провод динамика не должен быть заземлен, иначе может перегореть проигрыватель!

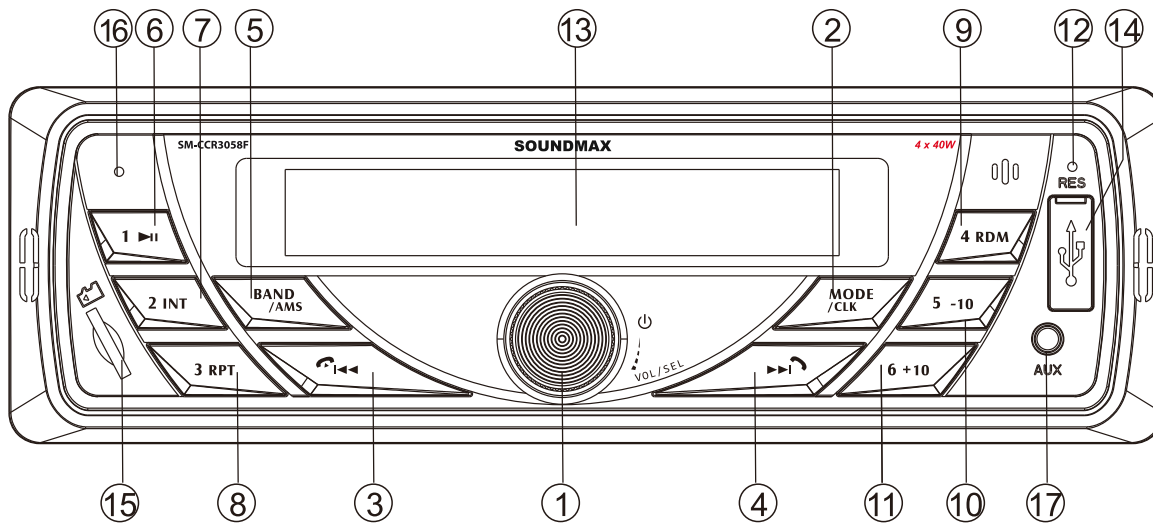


Внимание, установку устройства и подключения к ISO коннектору производить при отключенной аккумуляторной батарее. Перед подключением аккумуляторной батареи убедитесь в правильности проведенной коммутации и соблюдением полярности.

Подключение к черному кабелю (массе) других кабелей:

бело-черного/ зелено-черного/ фиолетово-черного/серо-черного) может привести к неисправности усилителя.

Элементы управления



Передняя панель

- | | |
|-------------------------|--|
| 1. Кнопка Power/Vol/Sel | 10. Кнопка 5 -10 |
| 2. Кнопка MODE/CLK | 11. Кнопка 6 +10 |
| 3. Кнопка | 12. Кнопка (отверстие) Reset |
| 4. Кнопка | 13. Дисплей |
| 5. Кнопка BAND/AMS | 14. USB-порт |
| 6. Кнопка 1 ►► | 15. Разъём для карты памяти
micro SD (TF) |
| 7. Кнопка 2 INT | 16. Микрофон Bluetooth |
| 8. Кнопка 3 RPT | 17. Вход AUX |
| 9. Кнопка 4 RDM | |

Общие операции

Включение/выключение устройства

Нажмите и удерживайте кнопку **⏻**, чтобы включить устройство. Нажмите и удерживайте эту кнопку повторно для выключения устройства.

Сброс настроек устройства

Включая устройство в первый раз или после замены батареи, Вы должны переустановить его. Нажмите кнопку (отверстие) RESET на внутренней панели остроконечным предметом (например, шариковой ручкой); будут установлены заводские настройки.

При нарушении работы устройства Вы можете нажать кнопку RESET для сброса пользовательских настроек.

Выбор режима работы

Нажимайте кнопку MOD/CLK, чтобы выбрать режим работы: Радио, AUX или USB/SD. Режим работы USB/SD доступен только если к устройству подсоединен соответствующий носитель.

Регулирование громкости

Вы можете отрегулировать уровень громкости звука вращением регулятора VOL.

Кнопка регулятора громкости является многофункциональной и назначение зависит от режима работы устройства. Описание функций в различных режимах далее.

Часы

Нажмите и удерживайте кнопку CLC до мигания индикации часов, вращением регулятора громкости установите нужное количество часов, затем коротким нажатием на кнопку CLC перейдите к установке минут и установите нужное количество минут.

Завершение звонка/Предыдущий/Поиск предыдущего канала (⏪)

- В режиме радио, нажмите и удерживайте эту кнопку для сканирования канала вручную или нажмите кнопку для автоматического сканирования, а затем нажмите и удерживайте кнопки с 1-6, чтобы сохранить канал.
- В режиме воспроизведения МРЗ, нажимайте эту кнопку для переключения на предыдущий трек или нажимайте и удерживайте кнопку для быстрой перемотки назад.
- После соединения нажмите эту кнопку для завершения звонка или разговора.

Ответ на звонок/Следующий/Поиск следующего канала (⏩)

- В режиме радио, нажмите и удерживайте эту кнопку для сканирования канала вручную или нажмите кнопку для автоматического сканирования, а затем нажмите и удерживайте кнопки с 1-6, чтобы сохранить канал.
- В режиме воспроизведения МРЗ, нажимайте эту кнопку для переключения на предыдущий трек или нажимайте и удерживайте кнопку для быстрой перемотки назад.
- После соединения нажимает эту кнопку, чтобы ответить на звонок. В режиме Bluetooth, нажмите и удерживайте эту клавишу, чтобы набрать последний номер телефона.

Кнопка 2 INT

- В режиме радио, нажмите эту клавишу для прослушивания установленного радиоканала, или нажмите и удерживайте ее в течение 2 секунд, чтобы сохранить канал 2 после сканирования.
- В режиме воспроизведения МРЗ нажмите эту клавишу для обзора треков и автоматического переключения на следующий трек каждые 10 секунд, нажмите ее еще раз, чтобы возобновить нормальное воспроизведение.

Кнопка 3 RPT

- В режиме радио, нажмите эту клавишу для прослушивания установленного радиоканала, или нажмите и удерживайте ее в течение 2 секунд, чтобы сохранить канал 3 после сканирования.
- В режиме воспроизведения МРЗ нажмите эту кнопку для повторного воспроизведения одной дорожки, нажмите ее еще раз, чтобы возобновить нормальное воспроизведение.

Кнопка 4 RDM

- В режиме радио, нажмите эту клавишу для прослушивания установленного радиоканала, или нажмите и удерживайте ее в течение 2 секунд, чтобы сохранить канал 4 после сканирования.
- В режиме воспроизведения МРЗ нажмите эту кнопку для воспроизведения в случайном, и нажмите снова, чтобы отменить случайное воспроизведение.

Кнопка 5 -10

- В режиме радио, нажмите эту клавишу для прослушивания установленного радиоканала, или нажмите и удерживайте ее в течение 2 секунд, чтобы сохранить канал 5 после сканирования.
- В режиме воспроизведения MP3 нажмите эту кнопку чтобы вернуться на предыдущие 10 треков.

Кнопка 6 +10

- В режиме радио, нажмите эту клавишу для прослушивания установленного радиоканала, или нажмите и удерживайте ее в течение 2 секунд, чтобы сохранить канал 6 после сканирования.
- В режиме воспроизведения MP3 нажмите эту кнопку чтобы перейти на следующие 10 треков.

Настройка параметров

В режиме радио или плеера, нажмите на регулятор VOL (кнопка SEL) для выбора значений ST/MONO и dH/LOC/CH/STEP (т.е. режим стерео/моно для радио, радио ближнего/дальнего диапазонов, ручная настройка радио и шаг частоты), поворачивайте регулятор VOL для настройки выбранного параметра.

В режиме плеера нажмите на регулятор VOL (кнопка SEL) для выбора параметров BAL (баланс) и EQ (эквалайзер), поворачивайте регулятор VOL для настройки выбранного параметра.

В режиме плеера пользователь может настроить параметры функций VOL/EQ/BAL.

Переход между функциями нажатием на кнопку громкости, вращение - изменение функций.

EQ (Equalizer) - доступно 4 предустановленных эквалайзера

Вход AUX

Разъем AUX предназначен для подключения внешнего аудиоустройства с целью усиления звука. В случае правильного подключения аудиосигнал от внешнего источника будет транслироваться через акустику головного устройства. Это дает возможность регулировать громкость и качество звучания. Например, Вы можете подключить MP3-проигрыватель для прослушивания записей через акустику автомобиля.

Операции с Bluetooth

1. Работа с мобильным телефоном

Пожалуйста, положите свой мобильный телефон достаточно близко к устройству и включите функцию Bluetooth, а затем найдите устройство BT "SM-CCR3058F" (Password: 0000) для соединения.

2. Набор номера с помощью Bluetooth

После подключения к сети, нажмите кнопку MOD, чтобы переключиться в режим BT. Затем нажмите кнопку "»↵" на передней панели для набора последнего полученного номера.

3. Прием вызова через Bluetooth

После подключения к сети, при входящем вызове, нажмите кнопку "»↵", чтобы ответить на телефонный звонок. При замене мобильного устройства, нажмите и удерживайте кнопку "BND/AMS" чтобы изменить приём между телефоном и основным устройством. Когда разговор окончен, нажмите кнопку "↵«" на передней панели, чтобы повесить трубку.

4. Воспроизведение музыки через Bluetooth

После подключения, нажмите кнопку MOD, чтобы переключиться в режим BT, затем нажмите кнопку "1/▶" на передней панели для воспроизведения музыки с мобильного телефона, нажмите клавишу снова для приостановки воспроизведения.

Микрофон Bluetooth

В процессе связи через Bluetooth, звук поступает сюда.

Операции с радио

Выбор диапазона

Нажимайте кнопку BND/AMS, чтобы выбрать диапазон: FM1 => FM2 => FM3. В каждом диапазоне может быть сохранено до 6 радиостанций.

Поиск радиостанций

- В режиме радио нажмите на регулятор VOL трижды для выбора параметра "CH" и поворачивайте индикатор до выбора параметра "STEP", после чего с помощью клавиш **◀◀** или **▶▶** можно искать радиостанции вручную. После 5 секунд бездействия система вернется к параметру "CH".
- В режиме "STEP" выбора радиостанции вручную, нажмите кнопку **◀◀** или **▶▶** чтобы ее сохранить. Выбранная частота мигнет на экране три раза, подтверждая сохранение.
- Нажмите и удерживайте кнопку **◀◀** или **▶▶**. Устройство перейдет в режим автоматического поиска ближайшей станции с сильным сигналом вниз или вверх по диапазону.

Сохранение и вызов станций

- Нажмите и удерживайте кнопку BND/AMS для запуска автоматического поиска и сохранения 18 станций (по 6 в каждом диапазоне).
- Нажимайте кнопки **◀◀** или **▶▶** для выбора предыдущей или следующей сохраненной станции.

Операции с USB/картами памяти microSD(TF)

Загрузка карт памяти microSD

Вставьте microSD-карту в соответствующий слот, расположенный на передней панели. Начнется воспроизведение первого трека. Для отсоединения карты памяти нажмите на нее до щелчка, затем извлеките карту из слота.

USB-порт

Вставьте USB-носитель в USB порт, расположенный на передней панели. Автоматически начнется воспроизведение первого трека.

Информация по USB/microSD разъемам

USB: Поддержка формата USB 2.0. Емкость: до 32 Гб. SD: Емкость: до 32 Гб. Устройством поддерживаются файловые системы FAT/FAT32.

Примечание: устройство может не воспроизводить некоторые модели USB-накопителей и карт памяти. Используйте только лицензионные накопители известных брендов. Перед извлечением накопителя из слота устройства переключите устройство в другой режим работы.

Выбор трека

Нажмите кнопку **⏮** или **⏭**

чтобы выбрать следующий или предыдущий трек. Нажмите и удерживайте эту кнопку, чтобы начать ускоренное воспроизведение трека вперед или назад; отпустите кнопку для возврата к нормальному воспроизведению.

Руководство по устранению неисправностей

Ниже приводится таблица, в которой описаны простые проверки, способные помочь Вам устранить большую часть проблем, могущих возникнуть при использовании данного устройства. Если нижеуказанные меры не помогли, обратитесь в сервисный центр или к ближайшему дилеру.

Неисправность	Причина	Решение
Нет питания	Неправильно подсоединены провода.	Выполните подсоединение электропроводки правильно.
	Зажигание машины не включено.	Если источник питания подключен надлежащим образом к выключателю машины, установите ключ зажигания в положение "ACC".
	Предохранитель сгорел.	Замените предохранитель.
Нет звука	Громкость звука установлена на минимум.	Отрегулируйте громкость звука до необходимого уровня.
	Неправильно подсоединены провода.	Выполните подсоединение электропроводки правильно.
Радиоприемник не работает	Кабель антенны не подключен к устройству.	Подключите к устройству кабель антенны.
Не работает автонастройка радиостанций	Радиостанции имеют слишком слабый сигнал.	Настраивайтесь на станции вручную.

Чистка корпуса устройства

Протирайте поверхности устройства мягкой тканью. Не мочите корпус. Если корпус очень загрязнен, используйте ткань, слегка смоченную мыльным раствором, и затем вытрите корпус сухой тканью.

Технические характеристики

SOUNDMAX

Общие	
Максимальная выходная мощность	4 x 40 Вт
Требуемый импеданс динамика	4 Ом
Предохранитель	5 А
Размеры	178 x 50 x 38 мм
Вес нетто	0,36 кг
Диапазон рабочих температур	от -20 до +60 градусов
Сtereo FM радио	
Частотный диапазон	87,5 – 108,0 МГц
Шаг	0,05 МГц
Число сохраняемых станций	18
Разделение стерео	>25 дБ
Проигрыватель	
Поддерживаемые носители	USB/microSD/TF
Поддерживаемые форматы	Воспроизведение MP3 файлов с USB/TF (microSD) носителей
Bluetooth	
Версия	3.0 + EDR, обратная совместимость с BT1.2, 2.0 и 2.1
Поддержка протоколов	HFP v 1.6, HSP v1.2, A2DP 1.3
Линейный выход	Сtereoаудиовыход RCA (2 В)
Линейный вход (AUX)	Мини Jack 3.5мм
Питание	
Напряжение питания	Постоянный ток 12 В

Произведено:

ДЖЕЙЛИП ГРУПП КО., ЛТД.
No.107, Шенгли роуд, Цзянмынь, Гуандун, Китай
+86 750-3189563

Изготовитель: Техно Электрик Лимитед

Сделано в Китае

Импортер:

ООО "Слейд" РФ,
105005, г. Москва, ул. 2-я Бауманская, д.7, стр.1А, +7(916)441-57-14

Уполномоченный представитель изготовителя:

ООО «ТрейДхоум», Российская Федерация, 117519, г. Москва,
Варшавское шоссе, дом 138, офис 2А.Тел. +7 (916) 441-57-14, email: support@trdhm.ru

Безопасная утилизация



Ваше устройство спроектировано и изготовлено из высококачественных материалов и компонентов, которые можно утилизировать и использовать повторно. Если товар имеет символ с зачеркнутым мусорным ящиком на колесах, это означает, что товар соответствует Европейской директиве 2002/96/ЕС. Ознакомьтесь с местной системой раздельного сбора электрических и электронных товаров. Соблюдайте местные правила. Утилизируйте старые устройства отдельно от бытовых отходов. Правильная утилизация вашего товара позволит предотвратить возможные отрицательные последствия для окружающей среды и человеческого здоровья.

Уважаемый покупатель!

Благодарим Вас за покупку продукции торговой марки SOUNDMAX и доверие к нашей компании. SOUNDMAX гарантирует высокое качество и надежную работу своей продукции при условии соблюдения технических требований, описанных в руководстве по эксплуатации. Руководство на русском языке прилагается.

Изготовитель: ТЕХНО ЭЛЕКТРИК ЛИМИТЕД

Юридический адрес: 801 Луя Ю Билдинг, 24-26 Стэнли Стрит, Сентрал, Китай

Сделано в Китае

Срок службы изделия с товарным знаком SOUNDMAX, при эксплуатации продукции в рамках бытовых условий и соблюдении правил пользования, приведенных в руководстве по эксплуатации, составляет 5 (пять) лет со дня передачи изделия потребителю. Срок службы установлен в соответствии с действующим законодательством о защите прав потребителей. Изготовитель обращает внимание потребителя, что при соблюдении данных условий срок службы изделия может значительно превысить указанный изготовителем срок. Гарантия на аксессуары составляет 2 недели с момента покупки, далее гарантия действует только на устройство.

Продукция сертифицирована на соответствие нормативным документам РФ (ГОСТ, СНИП, Нормы и т.д.)

Адреса авторизованных сервисных центров

Россия				
№	Город	Название СЦ	Адрес	Телефон
1	Астрахань	"ХАЙТЕК -СЕРВИСНЫЙ ЦЕНТР"	ул.Ташкентская, 135	(8512) 63-12-00, 63-10-00
2	Астрахань	"ЭЗФИР"	ул.Боевая, 22А	(8512) 30-10-15
3	Барнаул	"ДИОД"	ул. Пролетарская, 113	(3852) 63-94-02
4	Барнаул	"РЕМИКС"	пр-т Комсомольский, 111	(3852) 24-06-03, 24-03-35
5	Белгород	"ПРОКСИМА"	пр-т Б. Хмельницкого, 137, кор. 3	(4722) 34-03-22
6	Брянск	"ВЕГА -СЕРВИС"	ул. Сталелитовая, 1	(4832) 52-21-09
7	Великий Новгород	"ОРБИТА"	ул. Кочетова, 23А	(8162) 61-12-00, 33-59-18, 33-20-03
8	Владивосток	"ВЛАДИ НТЕРСЕРВИС"	Океанский пр-т, 101А	(423) 291-72-27, 291-74-47
9	Владимир	"МАСТЕР -СЕРВИС"	ул. Тракторная, 8	(4922) 33-10-79, 33-31-52, 42-02-09
10	Волгоград	ГИМ СЕРВИСНЫЙ ЦЕНТР	пр-т Ленина, 58	(8442) 23-41-36, 23-05-94, 23-96-48
11	Волгоград	САТЕЛ	ул. Кр. аэроцимагская, 8	(8442) 38-78-74
12	Вологда	"ВОЛОГДА"	ул. Новгородская, 7	(8172) 53-99-39, 53-99-69
13	Воронеж	БЕСТ -СЕРВИС	Ленинский пр-т, 119А	(4732) 62-27-87, 62-26-60
14	Воронеж	"ОРБИТА -СЕРВИС"	ул. Донбасская, 1	(4732) 77-66-25
15	Воронеж	"ТРАНССЕР ВИС - ВОРОНЕЖ"	Ленинский пр-т, 160	(4732) 39-37-55, 39-37-53
16	Дмитровград	"ЭПОКОМ СЕРВИС"	ул. Октябрьская, 63	(84235) 2-86-59, 9-14-64
17	Екатеринбург	"НК-ЦЕНТР ЕВГАТОРИЯ"	пр-т Побед, 67	(06589) 77-44-7
18	Екатеринбург	СОНИКО -ЕКТЬ	ул. Степана Разина, 109, оф. 123	(343) 269-29-48, 269-19-48
19	Екатеринбург	"ТРАНССЕРВИС - ЕКАТЕРИНБУРГ"	ул. Гагарина, 5	(343) 278-90-91, 278-90-92, 264-62-77
20	Жуковский	"НАДЕЖДА"	ул. Чкалова, 25	(498) 484-29-05
21	Иваново	"СПЕКТР -СЕРВИС"	ул. Дзержинского, 45/6	(4932) 33-51-85
22	Ижевск	"РИТ -СЕРВИС"	ул. М.Горького, 162	(3412) 43-07-52, 43-20-39, 43-83-07
23	Иркутск	"ТЕЛЕТОН"	ул. Пискунова, 156	(3952) 42-66-27, 53-41-66
24	Июшкар-Ола	"МИДАС"	ул. Советская, 173	(8362) 45-73-68, 41-77-43
25	Казань	"ВИТЯЗЬ"	пр-т Х. Ямашева, 38	(843) 248-71-17
26	Казань	ЭЛНЕТ	ул. Серова, 51/11, помещение 2	(843) 240-64-94
27	Калининград	"1000 МЕЛОЧЕЙ"	Московский пр-т, 163	(4012) 588-364, 760-477, 8-963-738-54-77
28	Камениск - Уральский	"ТЕХНОЦЕНТРСЕРВИС"	ул. Исетская, 335	(3439) 39-95-20
29	Кемерово	"СЕРВИСНЫЙ ЦЕНТР МАСТЕР"	ул. В.Волошиной, 4	(3842) 38-19-91, 38-19-43
30	Кинешма	СПЕКТР -СЕРВИС КИНЕШМА ООО	ул.Карла Маркса, 8	(49331) 58-134
31	Киров	ЭКСПЕРТ -СЕРВИС	Октябрьский пр-т, 116А	(8322) 54-20-64, 54-69-56
32	Киров	"ПОРТАЛ"	ул. Московск, кан. 9	(8332) 35-85-13
33	Киров	"ТЕХНОКИТ"	ул. Базовая, 17	(8332) 70-34-54, 70-34-64, 70-34-14
34	Комсомольск -на- Амуре	"ГАМБИТ"	ул.Ленина, 76, корп.3	(4217) 27-50-91, 42-171-31

Россия				
№	Город	Название СЦ	Адрес	Телефон
35	Кострома	"КРИСТАЛЛ СЕРВИС БИТ"	ул. Коммунар, 5	(4942) 51-80-73, 30-01-07, 63-97-23
36	Краснодар	"ЛАРИНА"	ул. Демуса, 14	(861) 260-09-00
37	Краснодар	"ТВ -ЮГ"	ул. Шевченко, 16 б/1, офис 26	(861) 239-06-21
38	Красноярск	"ДОН -ТВ СЕРВИС"	ул. Железнодорожников, 11	(3912) 21-94-82, 21-46-51
39	Красноярск	"ЭЛЕКТРОАЛЬЯНС"	ул. Сп. аэдарина, 7	(3912) 93-54-33, 94-52-82
40	Курск	"МАЙК+"	ул. Студенческая, 36А	(4712) 50-85-90
41	Липецк	"ВЛАДОН"	ул. Космонавтов, 66	(4742) 31-25-17
42	Магачанала	"РОСАМ"	пр-т Шамшур, 20	(8222) 93-30-73
43	Москва	"НАДЕЖДА"	ул. Амурская, 15 корп. 2	(499) 180-64-27
44	Москва	"РУБИН"	ул. Адмирала Макарова, 2	(925) 146-24-23
45	Москва	КВАНТ -9	бул. Маршала Рокоссовского, 3	(499) 168-05-19, 168-47-15, (495) 721-30-70
46	Москва	"МТЕХНИК"	ул. Острикова, 6	(499) 157-22-52
47	Москва	"ГЕЛИАМАСТЕР"	Алтуфьевская ш. ссе, 79Д	8-916-170-00-09
48	Мурманск	"ЭЛЕКТРОНИКА"	пр-т Ледокольный, 5	(8152) 53-57-75
49	Набережные Челны	"ТРИО"	пр-т Вахитова, 20	(8552) 59-77-13
50	Нальчик	"АЛЬФА СЕРВИС"	пр-т Ленина, 24	(8662) 42-04-30, 77-28-78
51	Нижний Новгород	ИМПУЛЬС	ул. Жуко ва, 24	(8314) 62-96-69
52	Нижний Новгород	БЫТОВАЯ АВТОМАТИКА СЦ	ул. Ларина, 18А	(831) 461-88-48
53	Нижний Новгород	"ИП ЗОРЬКИН А.Я."	ул. Коновалова, 6	(831) 229-96-16
54	Новосибирск	"АВТОМАСТЕР"	ул. Владими́рская, 2А	(383) 220-70-01, 240-90-49
55	Омск	"ВЕС -ТРЕЙД"	ул. 5 Кордная, 1	(3812) 57-70-92
56	Омск	"СИБТЕКС"	ул. 24 -я Линия, 59	(3812) 36-70-44, 36-98-04, 36-91-04
57	Омск	"СИБТЕКС"	ул. Енисейская, 1	(3812) 36-70-44, 36-98-04, 36-91-04
58	Орел	"АРС"	ул. Московская, 100	(4862) 55-15-06
59	Оренбург	СЕРВИСЫТЕХНИКА	ул. Лесозащитная, 18	(3532) 30-00-30, 30-00-66
60	Орск	АКС -СЕРВИС	ул. Волкова, 2	(3537) 33-94-43, 35-13-18
61	Пenza	"ПАРТНЕР -СЕРВИС"	ул. Советская, 2	(8412) 56-45-07
62	Пермь	"РТВ -СЕРВИС"	ул. Мира, 55	(342) 220-08-48
63	Перезаводск	"АРНАУТ"	пр-т Лесной, 51	(8142) 63-32-18
64	Псков	"РЕМОНТ И СЕРВИС"	ул. Труда, 11	(8112) 53-86-30, 53-86-50
65	Пятигорск	"ПОЛИСЕРВИС"	1-ая Набережная, 32, корп. 4	(8793) 33-17-29
66	Ростов -на-Дону	"СЕРВИС -РОСТОВ"	пр-т Шолохова, 7	(863) 299-00-50
67	Рост овна-Дону	АБСОЛЮТ	ул. Тельмана, 73/94	(863) 299-30-60
68	Рязань	"ПАЛ -СЕКАМИС - СЦ"	ул. Татарская, 18	(4912) 21-01-49, 25-50-34
69	Самара	"ТРАНССЕРВИС - САМАРА"	пр-т Карла Маркса, 39	(846) 336-33-33, 336-85-11
70	Санкт -Петербург	"ПИОНЕР СЕРВИС"	ул. Новолыбская, 5	(812) 327-24-62, 295-84-14
71	Санкт -Петербург	"АЛ ПИОНЕР"	Б.Сампсониевский пр -т, 62	(812) 320-09-30, 320-02-27
72	Саратов	"ТРАНС СЕРВИС - САРАТОВ"	ул. 3 -я Дачная	(8450) 35-11-80, 55-43-63, 55-43-39, 66-31-91
73	Севастополь	"ДИАДЕМА"	ул. Пожарова, 26	(0692) 55-56-43, 45-36-99, 45-39-35
74	Северодвинск	"ИП ВАРЕНБУД"	ул. Гагарина, 12	(8184) 58-72-21
75	Северодвинск	"ИП ВАРЕНБУД"	ул. Дзержинского, 1	(8184) 27-84-62
76	Симферополь	"КРИТЕХСЕРВИС"	ул. Луговая, 6f	(0652) 51-50-78
77	Симферополь	"НК-ЦЕНТР"	ул. Некрасова, 17/1	(0652) 52-27-71
78	Симферополь	"ФОКСТРОТ"	ул. Маньковского, 12	(0652) 24-88-58, 52-05-65, 57-71-83
79	Ставрополь	РЕМОНТ -СЕРВИС	ул. Пирогова, 37	(8652) 55-17-48
80	Ставрополь	"ТЕХНО -СЕРВИС"	ул. 7 -я Промышленная, 6	(8652) 39-30-30
81	Ставрополь	"ТЕЧНО -СЕРВИС"	ул. Труженического, 11А	(8652) 33-57-75
82	СтарыйОскол	"ЭКСПРЕСС -СЕРВИС"	мк. Олимпийский, 7	(4725) 42-41-00
83	Сыктывкар	"ТЕХСЕРВИС"	ул. Гаряная, 25	(8212) 291-220
84	Тагизор	"КРИСТИ"	ул. Фрунзе, 45	(8634) 38-30-48
85	Тамбов	"РУБИН -СЕРВИС -Т"	ул. Н. Вирты, 2А	(4752) 45-16-11
86	Тамбов	"ВЕГА -ТАМБОВ СЕРВИС"	ул. Кикидзе, 69	(4752) 73-94-01, 73-94-03
87	Тольятти	"ИРИС -СЕРВИС"	ул. Котлов Победы, 30	(8482) 53-76-43/44/45
88	Томск	МАКС -СЕРВИС	ул. Библиевская, 1 011	(3822) 43-27-58, 43-35-89
89	Томск	"ТЕХНОМАГ"	ул. Котского, 17	(3822) 213-776
90	Томск	"ТЕХНОМАГ"	ул. 1 -я Рабочая, 3А	(3822) 214-776, 215-776
91	Тула	"ИП КРЫЛОВ И.Ю."	ул. Руднева, 28	(4872) 35-53-99

Россия				
№	Город	Название СЦ	Адрес	Телефон
92	Тюмень	"ПУЛЬСАР"	ул. Республики, 169	(3452) 20-82-65, 75-95-08
93	Улан-Удэ	"ЮФФА"	ул. Жердева, 138	(3012) 41-92-89
94	Ульяновск	"МАСТЕР –СЕРВИС"	ул. Миняева, 42	(8422) 32-07-33, 32-49-56
95	Уфа	"РЕГИОН"	ул. Аскакова, 73	(347) 251-79-79
96	Уфа	"РЕГИОН"	ул. Пархоменко, 173	(347) 223-60-60
97	Уфа	"РЕГИОН"	ул. М.Рыльского, 14	(347) 236-63-63
98	Феодосия	"НК-ЦЕНТР ФЕОДОСИЯ"	Симферопольское шоссе, 44	(06562) 91-08-1
99	Хабаровск	"НОС ПЕРСОНАЛЬНЫЕ КОМПЬЮТЕРЫ"	ул. Тихоокеанская, 165	(4212) 74-46-11, 74-45-90
100	Чебоксары	"ТЕЛЕРАДИОСЕРВИС"	ул. Гагарина, 36	(8352) 63-20-98
101	Челябинск	"РЕМБЫТТЕХНИКА"	ул. Производственная, 85	(351) 239-39-33
102	Челябинск	"РЕМБЫТТЕХНИКА"	ул. Артиллерийская, 102	(351) 771-18-11
103	Челябинск	"ЭЛЕКТРО –НГ"	пр-т Победы, 302	(351) 741-01-51, 264-00-84
104	Ярославль	"СЕРВИСНЫЙ ЦЕНТР ВИАР"	ул. Республиканская, 3 стр. 5	(4852) 58-22-11

Белоруссия				
№	Город	Название СЦ	Адрес	Телефон
1	Гомель	"ТЕХНОСИТИ"	ул. Советская, д. 119	375-232-57-15-48
2	Гомель	"ТЕХНОСИТИ"	ул. Гагарина, д. 20	375-232-74-90-71
3	Брест	"ЛЕБЕДЬ"	ул. Гоголя, д. 82	375-162-21-38-87
4	Барановичи	"БПВТИ ИМПУЛЬС"	ул. Жукова, д. 12/1	375-296-47-12-34
5	Минск	"РЕСУРС ПЛЮС"	ул. Жигуновича, д. 11	375-17-296-03-03
6	Могилев	"ЭЛИСИ МОГИЛЕВ"	ул. Лжубовского, д. 23	375-222-28-00-88

Украина				
№	Город	Название СЦ	Адрес	Телефон
1	Чернигов	"ЛАГРОС"	пр-т Мира, 80	(0462) 67-78-99
2	Херсон	"РАДИО"	ул. Советская, 23	(0552) 22-57-30, 22-61-21
3	Николаев	"СЦ АРАДДИН"	ул. Николая, 33	(0512) 41-83-48
4	Чернигов	"ОТТО СЕРВИС"	ул. И. Кобилюцкого, 61	(0462) 67-84-92, 67-84-93
5	Северодонецк	"СРТ"	ул. Маяковского, 13	(04542) 4-30-30, 70-28-16
6	Северодонецк	"ДОМ ТЕХНИКИ"	ул. Курчатова, 19Б	(04542) 2-78-53
7	Северодонецк	"РЕМБЫТ СЕРВИС"	ул. Менделеева, 61	(04543) 5-03-43
8	Старобельск	"ПРЕМЬЕР"	ул. Коммунаров, 34	(04641) 2-12-31
9	Кременная	"ПРЕМЬЕР"	пл. Красная, 1	(04544) 3-17-30
10	Лисинская	"ПРЕМЬЕР"	ул. Калинина, 115	(04541) 2-06-15
11	Мариовка	"МИР ЭЛЕКТРОНИКИ"	ул. Гагарина, 9	(04644) 9-14-27
12	Троицкое	"ПРЕМЬЕР"	пр-т Победы, 54А	(04546) 2-17-82
13	Кривой Рог	"ДОМТЕХСЕРВИС"	ул. Тенка, 24	(0564) 64-69-53, 64-69-32, 64-61-73
14	Полтава	"ПРОМЭЛЕКТРОНИКА"	ул. Фрунзе, 66	(0532) 615-621
15	Хмельницкий	"ТРИТОН ЛТД"	ул. Курчатова, 18	(0382) 78-37-73, 78-37-55
16	Львов	"РОСИМПЭКС"	ул. И. Шараневича, 28	(032) 238-66-77, (032) 239-61-52
17	Стаханов	"АЛЬБИТ"	ул. Кирова, 15	(06444) 4-02-89
18	Стаханов	"БЫТРАДИОТЕХНИКА"	ул. Б. Хмельницкого, 55	(06444) 4-22-18
19	Стаханов	"ТЕЛЕАТЕЛЬ"	пр-т Ленина, 39	(050) 296-89-88
20	Черкассы	ООО "ФАБРИКА БЫТОВОГО СЕРВИСА"	ул. Ильина, 605	(0472) 383-124, (053) 624-24-43
21	Виноградное	"ВЕСКО"	пл. Мира, 4	(03143) 2-32-75, 2-37-80
22	Винница	"СПЕЦИАЛИСТ"	ул. Портика, 1	(0432) 57-91-91, 50-91-91
23	Харьков	"КОМТЕХ"	ул. Бакулини, 12	(057) 717-13-39, 702-16-20
24	Сумы	"ЭЛЬФ"	ул. Петрола вловская, 86/1	(0542) 66-03-00, 65-03-40, 65-55-10, 21-59-63
25	Львов	"АЛЬЯНС –СЕРВИС"	ул. Подголюк, 15А	(032) 244-53-44, 244-53-40
26	Черновцы	"ЭЛЕКТРОСЕРВИС"	ул. Л. Кобилюцы, 105	(0372) 58-57-10
27	Донецк	"ТЕХНОСЕРВИС"	пр-т Павших коммунаров, 188	(062) 344-03-05, 349-24-75, 345-06-07, 208-33-35
28	Запорожье	"АЛЬФАТЕХНОЦЕНТР"	ул. Дзержинского, 83	(061) 212-03-03 (многоканальный)
29	Анжельск	"НЧ-ГГ"	ул. Гагарина, 36	(06447) 4-83-50
30	Ровно	ООО "МАЛТИТЕК"	пр-т Мира, 11	(0362) 28-27-66
31	Харьков	ЧФ "НЕОПРИВАТ СЕРВИС"	ул. Кошарская, 43	(057) 763-09-12

Украина				
№	Город	Название СЦ	Адрес	Телефон
32	Житомир	"ЭКСПРЕСС –СЕРВИС"	ул. Киевская, 106	(0412) 41-41-91, (0412) 41-27-97, (098) 382-31-17
33	Львов	"ШАНС"	пр-т Красной Калины, 109	(032) 247-14-99
34	Кременчуг	"ИНЭК –КРЕМЕНЬ"	ул. Московская, 55/1	(05366) 5-31-32, (0536) 77-66-28
35	Ирпиневоград	"ИНЭК –СЕРВИС"	пер. Бульварный, 3	(0522) 22-06-21
36	Винница	"ЛОТОС"	ул.Келецкая, 61А	(0432) 61-95-73
37	Днепропетровск	"ЛОТОС"	пр-т Кирова, 59	(0562) 35-04-09, 34-67-05
38	Запорожье	"ЛОТОС"	ул. Гоголя, 175	(061) 701-65-96, 787-50-51
39	Кировоград	"ЛОТОС"	ул.Короленко, 2	(0522) 35-79-23
40	Кривой Рог	"ЛОТОС"	ул. Косиора, 64/7	(0564) 40-07-79
41	Николаев	"ЛОТОС"	Внутриквартальный проезд, 2	(0512) 58-06-47
42	Львов	"ЛОТОС"	ул. Шевченко, 67	(0532) 6-15-54
43	Полтава	"ЛОТОС"	ул. Красная, 71А	(0532) 61-16-06
44	Херсон	"ЛОТОС"	ул.Карбышева, 28А	(0552) 43-40-33
45	Ивано-Франковск	"МЕГАСТАЙЛ"	ул. Независимости, 179Б	(0342) 77-33-22, 72-27-22
46	Киев	"РАВИС"	ул. Героев Днепра, 2А	(0800) 504-504, (044) 412-42-19
47	Одесса	"ЮГ СЕРВИС ЦЕНТР"	ул. Щеголева, 14	(048) 734-98-15
48	Мариуполь	"ГЛОБАЛТЕК"	ул. Варганова, 9	(0629) 49-18-81, (067) 597-56-15
49	Волынгорск	"ТИТАН"	ул. Ленинского Комсомола, 62Б	(05653) 5-27-71, (067) 431-46-46
50	Горнолыжный	"ТЕХНОГАРАНТ"	ул. П. Беспощадного, 26	(0624) 52-77-77, (050) 870-00-77
51	Львук	"СЕРВИС –МАСТЕР"	пр-т Победы, 24	(0332) 78-56-25
52	Ивано-Франковск	"БРИЗ ЛТД"	ул.Новая, 19А	(0342) 75-07-77, 55-95-25
53	Луганск	"КОРСАК"	ул. Коцюбинского, 27	(0642) 34-56-06, 58-11-80
54	Ужгород	"ТТ СЕРВИС"	ул. Перемоги, 3 оф. 3	(0312) 63-01-46, (099) 041-78-50

Данная информация может быть изменена.
Более точные сведения о сервисных центрах в Вашем регионе доступны на сайте www.soundmax.ru

В случае возникновения проблем с обращением в Ваш региональный сервисный центр просим направить Ваши замечания, заполнив соответствующую форму в разделе «Ответы на часто задаваемые вопросы» на сайте компании.

Дизайн и технические характеристики могут быть изменены без предварительного уведомления.

Месяц и год изготовления нанесены на стикер баркода на упаковке и на гарантийном талоне в формате ММ.ГГ. где ММ – месяц изготовления, а ГГ – последние две цифры года изготовления.

СЕРТИФИКАТ СООТВЕТСТВИЯ:
RU С-САЛП.6.В.135.11
Срок действия с 01.08.2016, по 31.07.2019 включительно

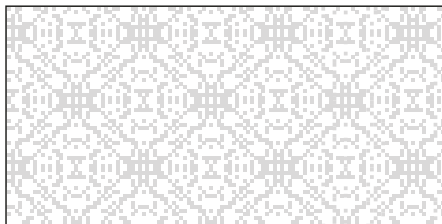


ГАРАНТИЙНЫЙ ТАЛОН

Срок гарантии – 12 месяцев

SOUNDMAX

Дата производства
Серийный номер



Модель



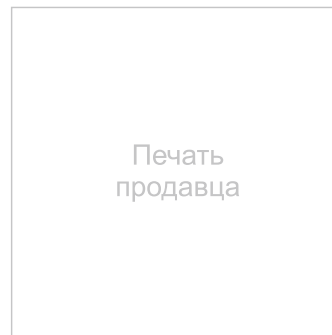
Дата продажи



Подпись продавца



Печать
продавца



С условиями гарантийного обслуживания согласен, претензий по комплектности, внешнему виду и работоспособности не имею.

Подпись покупателя

Сведения о ремонте

№	Дата приема	Дата выдачи	Отметка СЦ	Подпись заказчика
1				
2				
3				



Авторизованные
сервисные центры

SOUNDMAX

УСЛОВИЯ ГАРАНТИИ:

1. Гарантийный срок 12 (двенадцать) месяцев со дня передачи изделия Потребителю.
2. Гарантийный ремонт производится в Авторизованных Сервисных Центрах.
3. Условия гарантии не предусматривают периодическое техническое обслуживание, установку и настройку изделия на дому у владельца.
4. Потребитель имеет право предъявить изготовителю требования, предусмотренные законом РФ «О защите прав потребителей» в течение гарантийного срока.
5. Потребитель обязан соблюдать правила безопасной эксплуатации и хранения изделия.
6. Гарантия не сохраняется в случае: нарушений правил эксплуатации, механических повреждений, нарушений гарантийной пломбы, неправильного подключения изделия, попадания посторонних предметов внутрь.
7. Гарантийные обязательства производителя не распространяются на:
 - сменные элементы питания (батарейки, аккумуляторы), дополнительные аксессуары, входящие в комплект поставки и подверженные естественному износу в процессе эксплуатации;
 - нарушения в работе изделия, вызванные сторонними приложениями (мелодии, графические, видео и другие файлы, Java и подобные им программы);
 - повреждения (недостатки), вызванные воздействием компьютерных вирусов и аналогичных им программ, установкой, сменой или удалением паролей (кодов) изделия, модификацией и/или переустановкой предустановленного ПО изделия.

Изготовитель: ТЕХНО ЭЛЕКТРИК ЛИМИТЕД

Юридический адрес: 801 Лук Ю Билдинг, 24-26 Стэнли Стрит, Сентрал, Китай

Сделано в Китае

Адреса авторизованных сервисных центров приведены в разделе “Адреса сервисных центров”, на сайте www.soundmax.ru и на QR-коде (верхний левый угол).