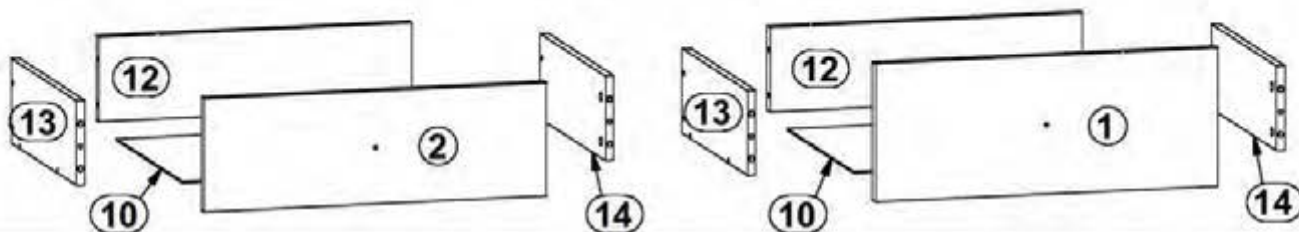
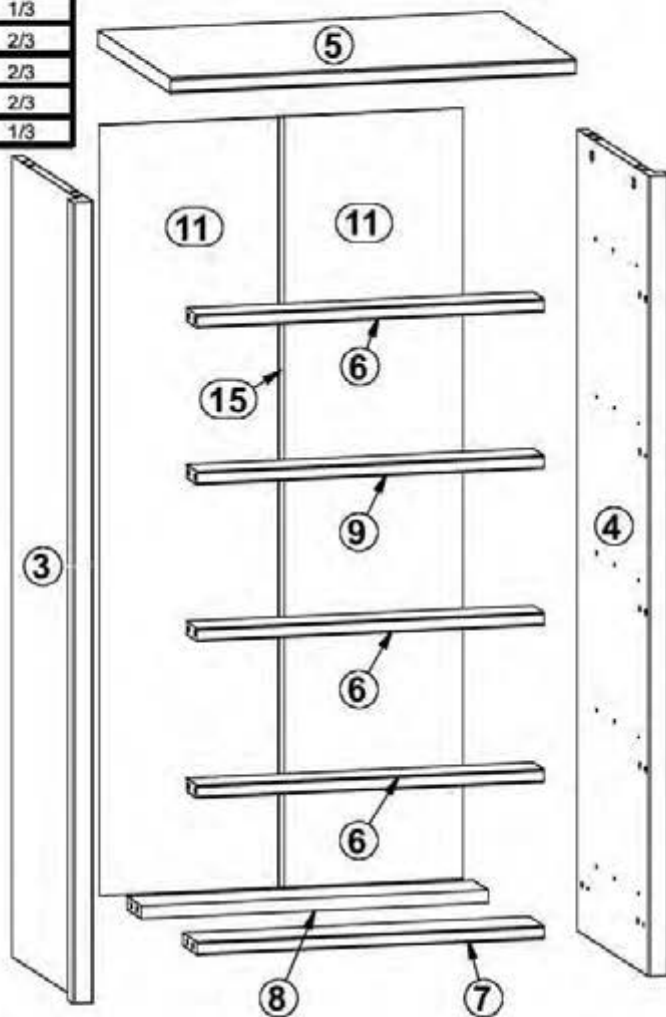
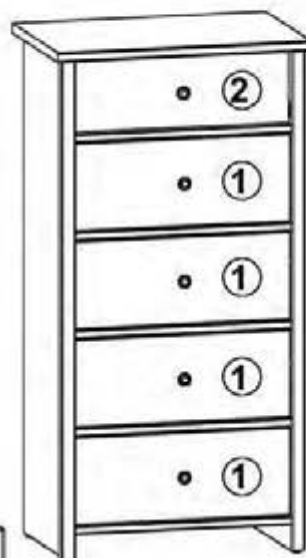
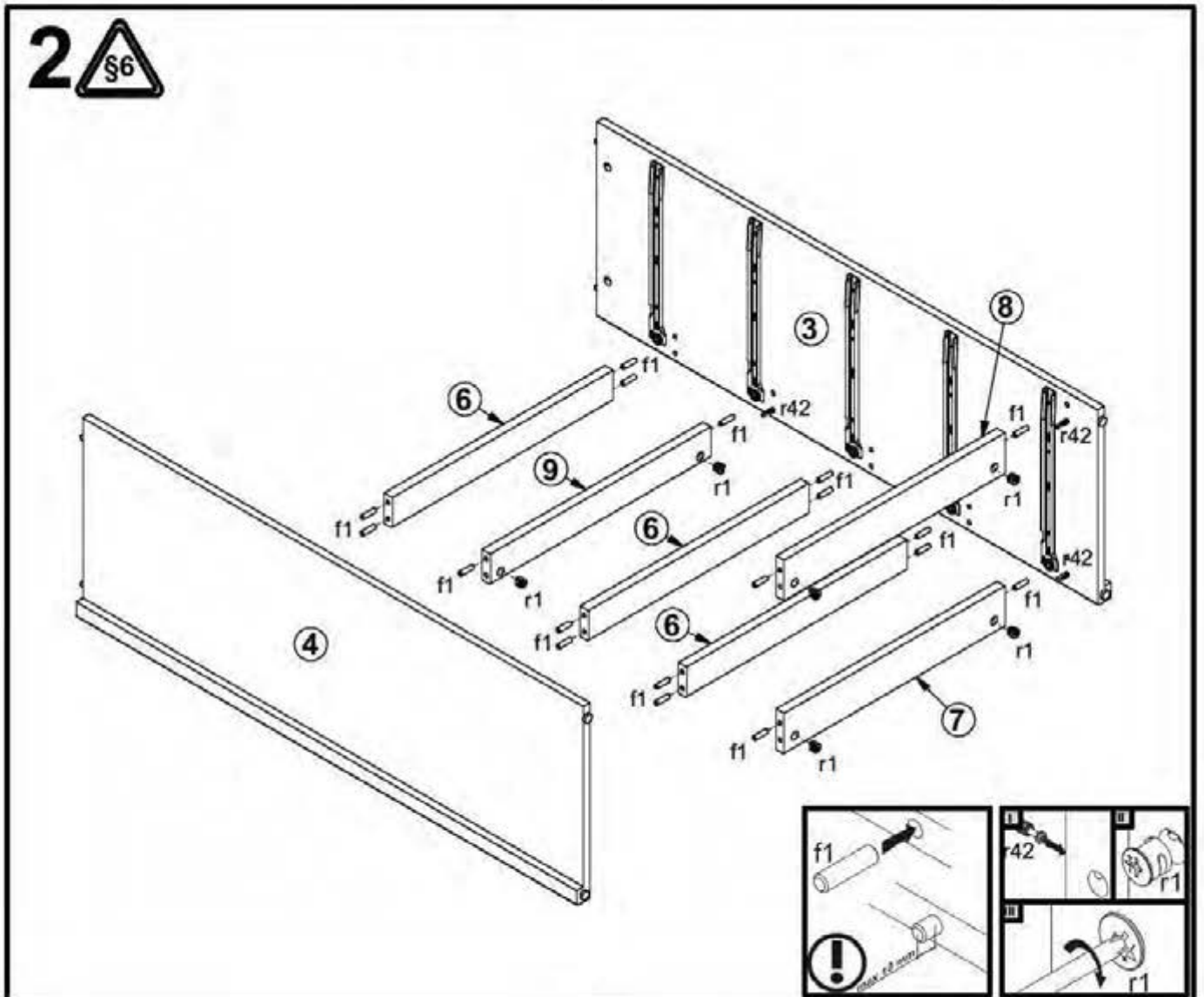
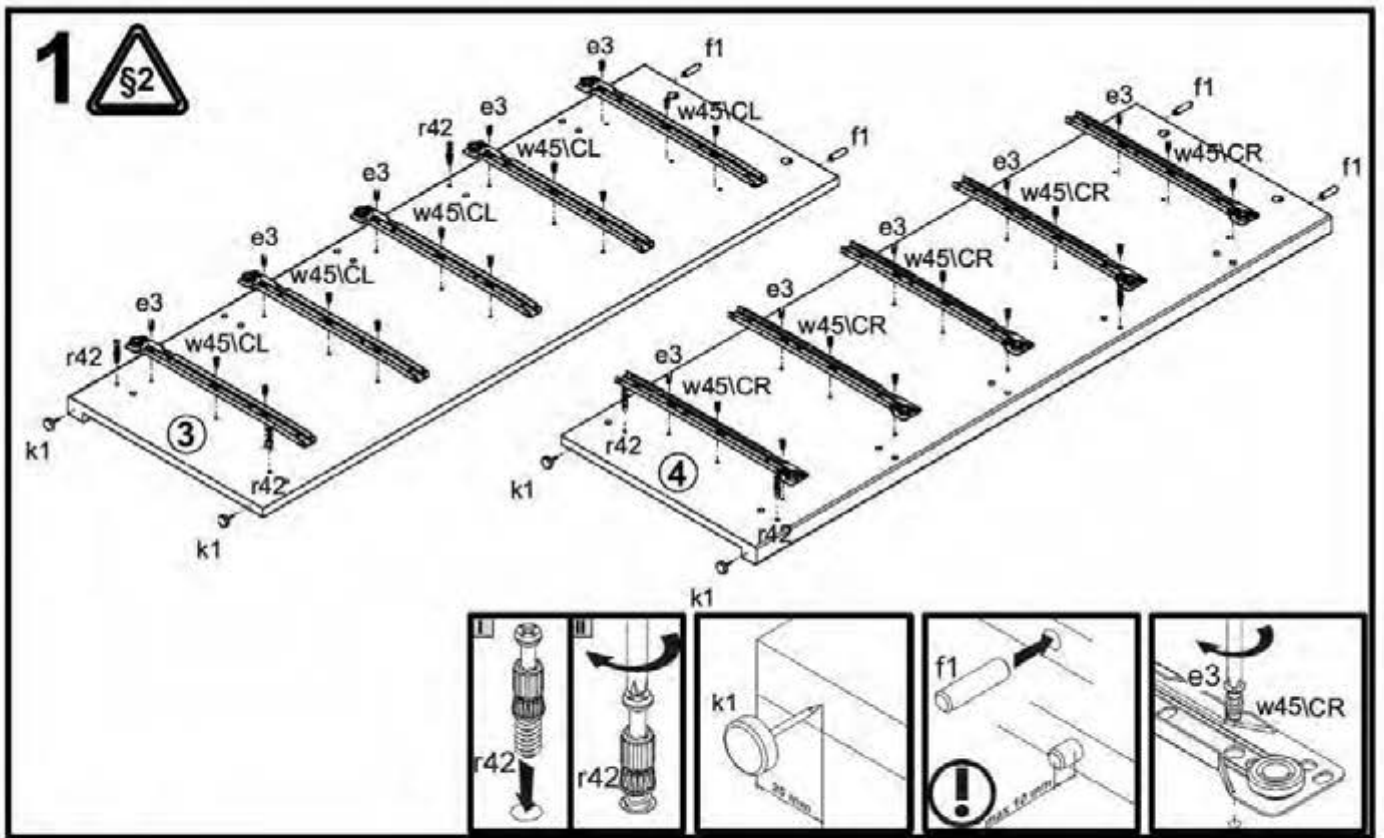


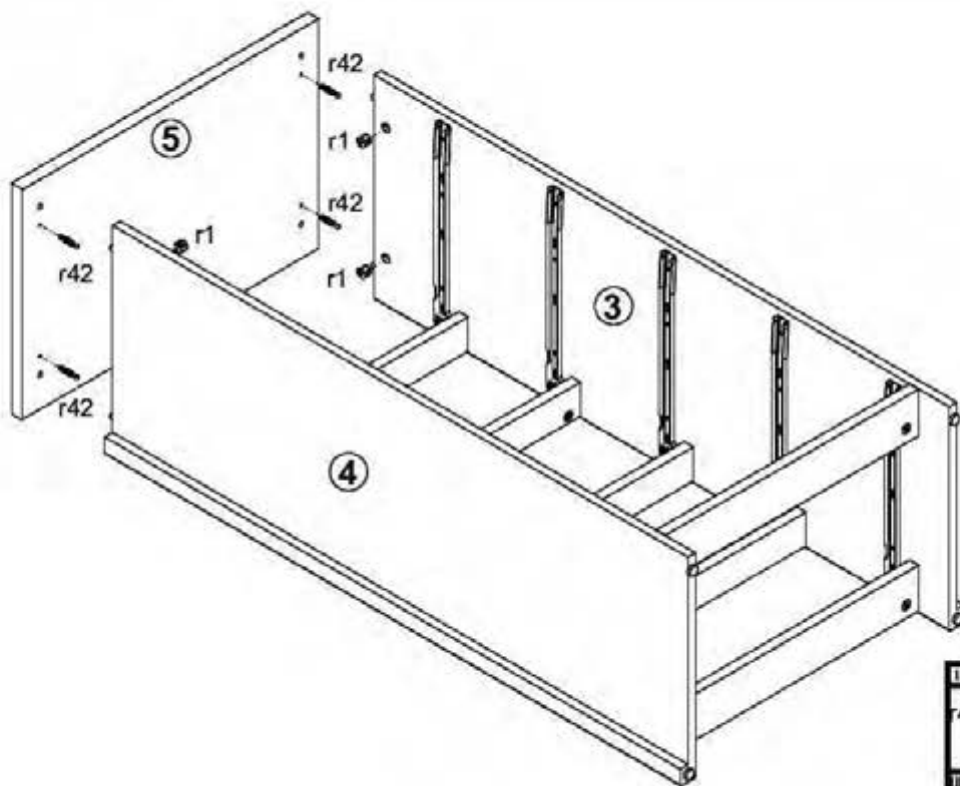
| A  | B         | C    | D   |     |
|----|-----------|------|-----|-----|
| 1  | S322 0007 | 494  | 196 | 3/3 |
| 2  | S322 0018 | 494  | 160 | 3/3 |
| 3  | S322 1120 | 1134 | 384 | 1/3 |
| 4  | S322 1121 | 1134 | 384 | 1/3 |
| 5  | S322 2204 | 584  | 395 | 2/3 |
| 6  | S322 4405 | 500  | 60  | 2/3 |
| 7  | S322 4406 | 500  | 80  | 2/3 |
| 8  | S322 4407 | 500  | 80  | 2/3 |
| 9  | S322 4409 | 500  | 60  | 2/3 |
| 10 | S322 9909 | 471  | 355 | 2/3 |
| 11 | S322 9922 | 1091 | 263 | 1/3 |
| 12 | ZB 5507   | 443  | 120 | 2/3 |
| 13 | BB 501    | 350  | 120 | 2/3 |
| 14 | BB 502    | 350  | 120 | 2/3 |
| 15 | Lh 1050   | 1050 | 14  | 1/3 |



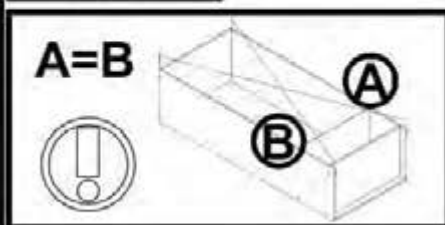
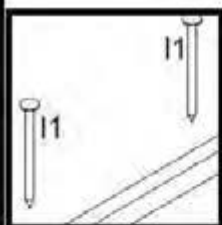
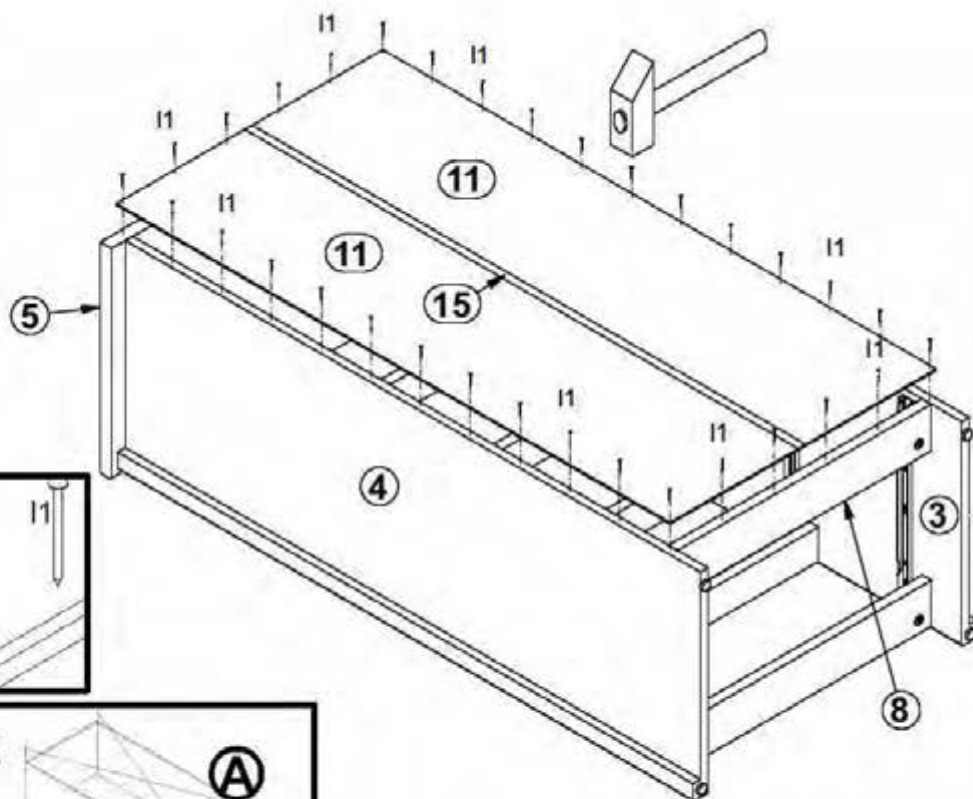
|            |           |            |           |              |              |              |              |           |
|------------|-----------|------------|-----------|--------------|--------------|--------------|--------------|-----------|
| 5x<br>c415 | 30x<br>e3 | 20x<br>e19 | 32x<br>f1 | 20x<br>f25   | 5x<br>j1     | 4x<br>k1     | 35x<br>l1    | 1x<br>n26 |
| 21x<br>p38 | 30x<br>r1 | 30x<br>r42 | 2x<br>s2  | 5x<br>w45/CL | 5x<br>w45/CR | 5x<br>w45/DL | 5x<br>w45/DR |           |



# 3

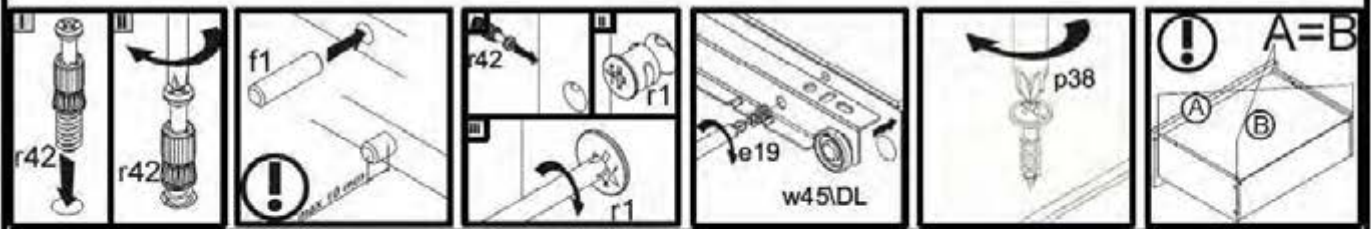
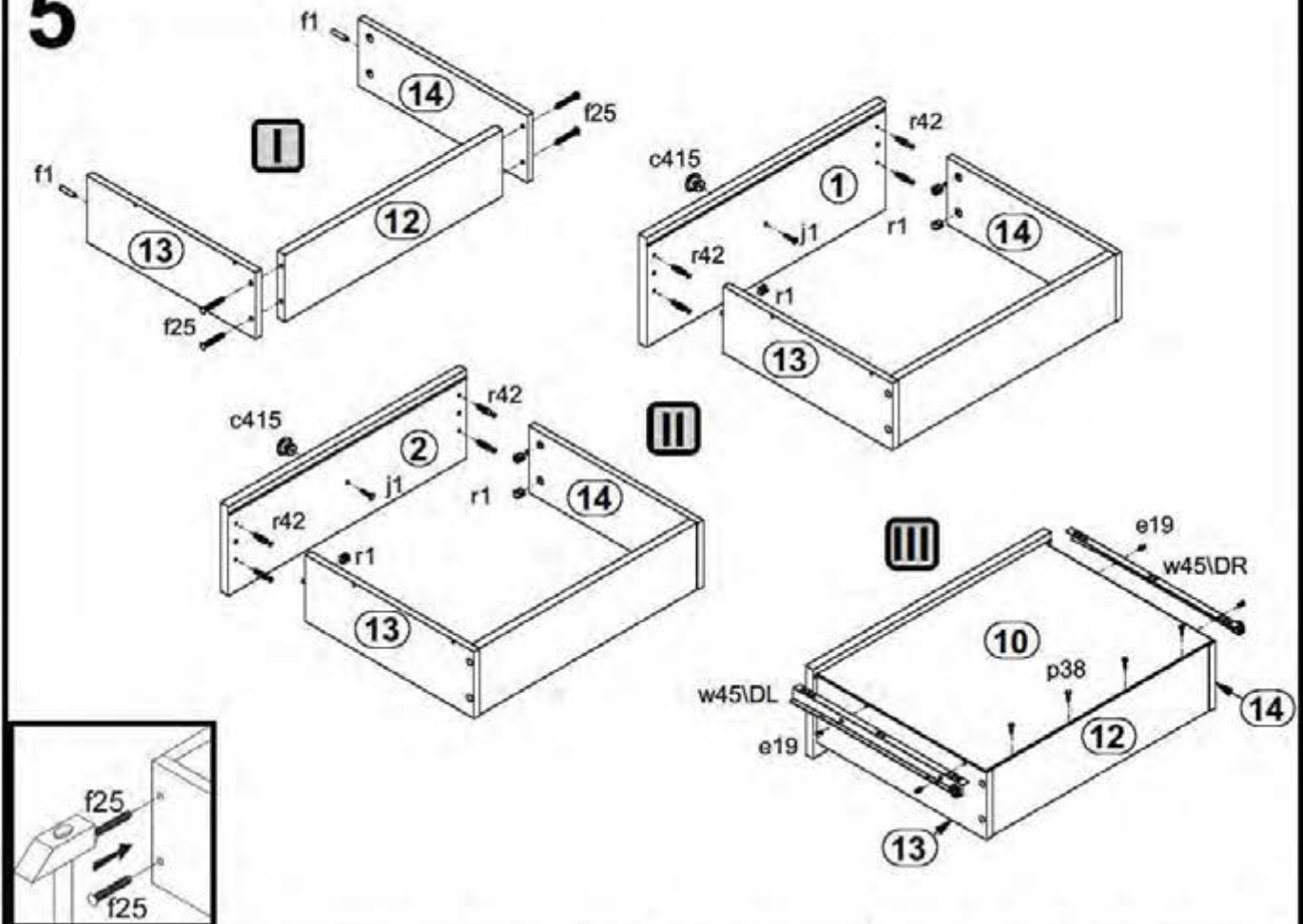


# 4





# 5



# 6

