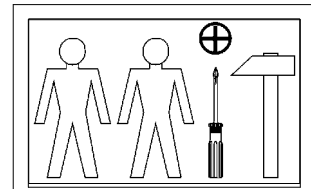
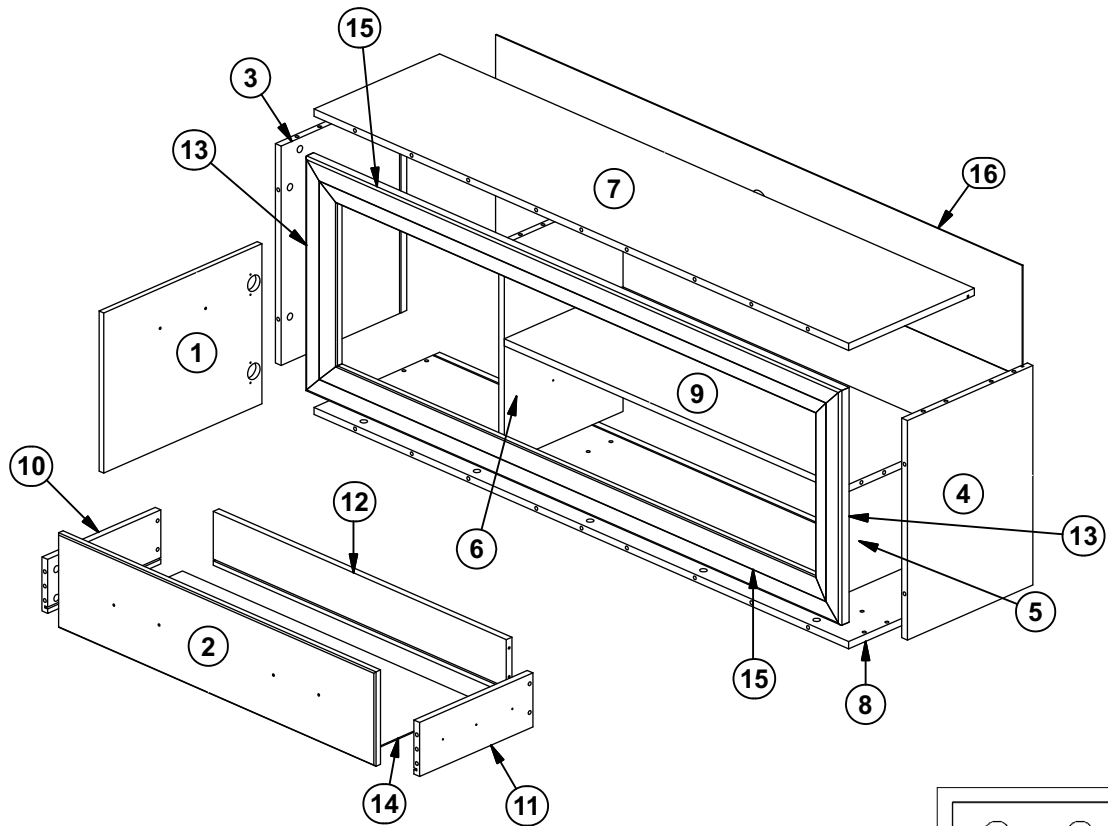
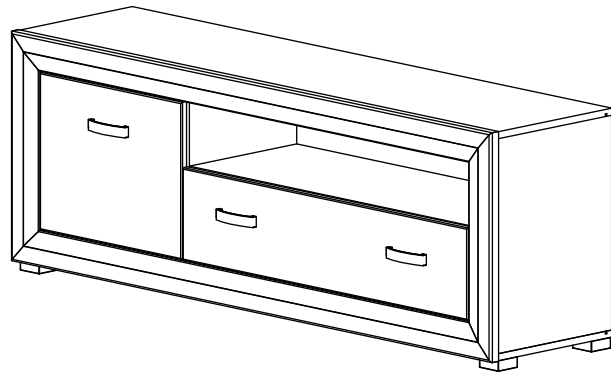
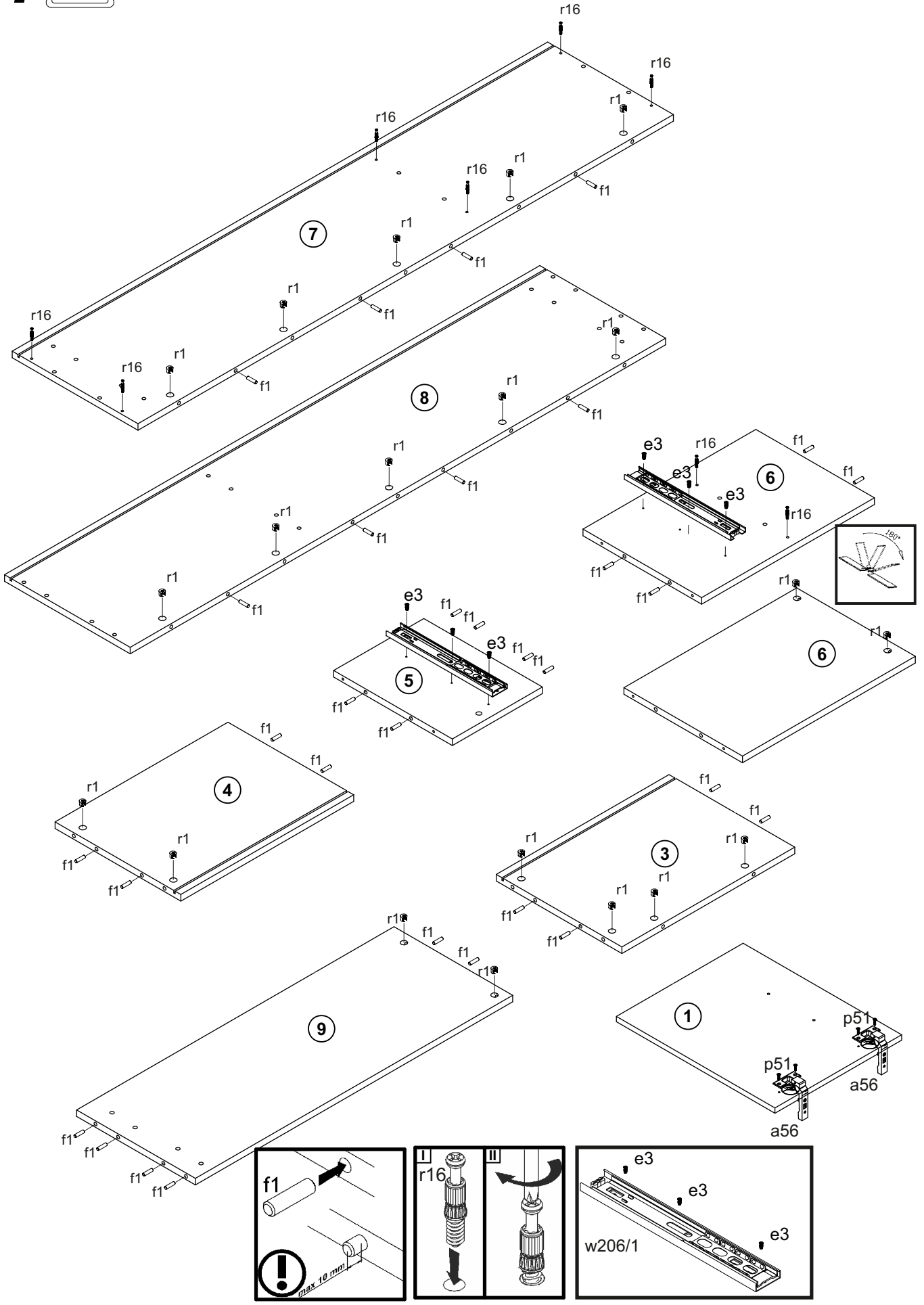


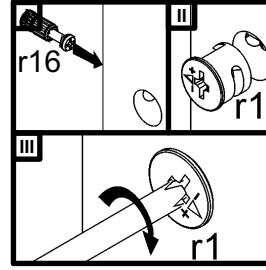
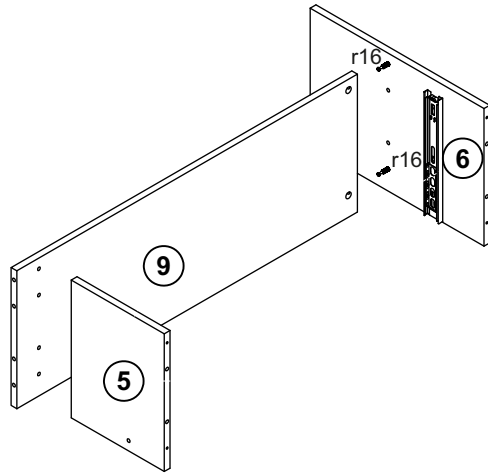
A	B	C	D	
1	B136-033	447	356	1/2
2	B136-008	897	210	1/2
3	B136-182	488	355	1/2
4	B136-183	488	355	1/2
5	B136-184	261	335	1/2
6	B136-185	488	335	1/2
7	B136-243	1511	355	1/2
8	B136-244	1511	355	1/2
9	B136-335	956	335	1/2
10	B136-501	320	120	1/2
11	B136-502	320	120	1/2
12	B136-503	828	120	1/2
13	B136-580	522	80	1/2
14	B136-903	843	318	1/2
15	B136-573	1513	80	1/2
16	B136-950	1488	248	1/2
17	B136-951	1488	248	1/2
18	Lh-1472	1472	14	1/2



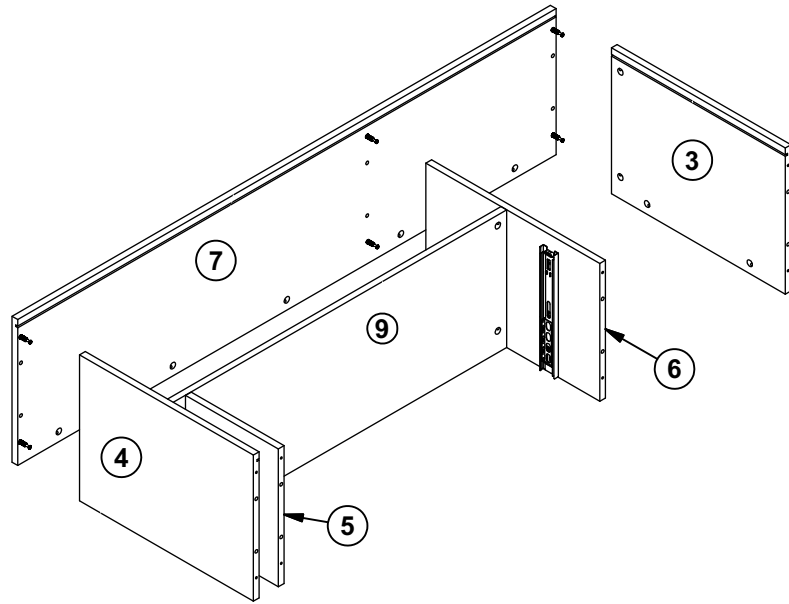
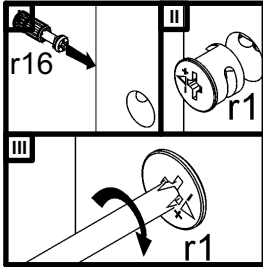
2x a56	4x x15 mm p51	2x b6	5x k55	3x phi412.050	6x f4x30 mm p9	10x x35 mm p6	12x 7x50 mm e1	12x 16 s2
42x x30 mm f1	8x l1	20x l2	4x r10	28x 20/9 r16	36x x12mm r1	4x silikon o21	2x w206/1	2x w206/2
6x phi x13 mm e3	6x x12 mm p140	1x 303 mm t15	2x x16 mm p25	1x z1				



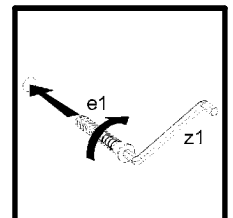
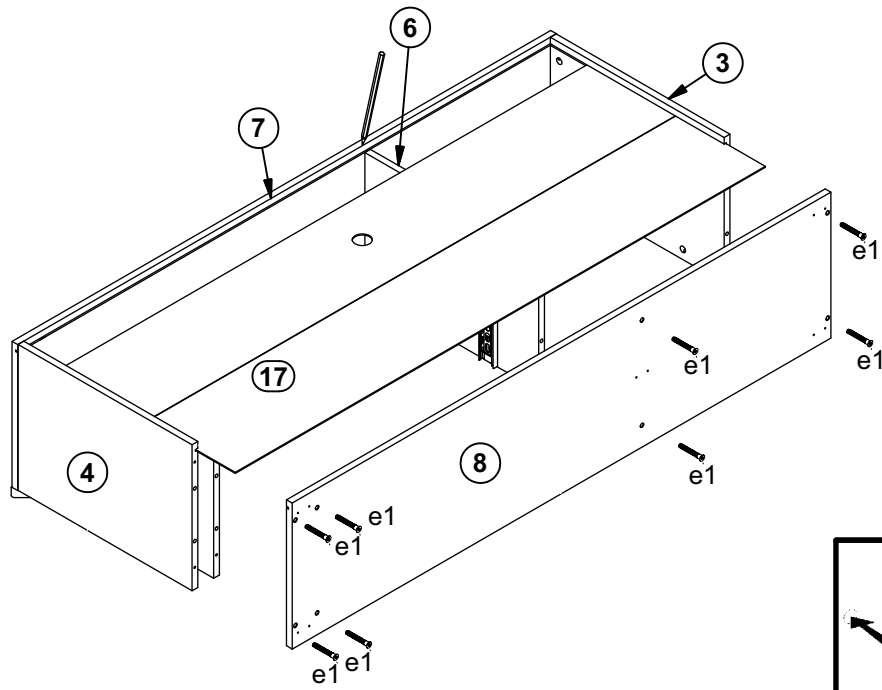
2



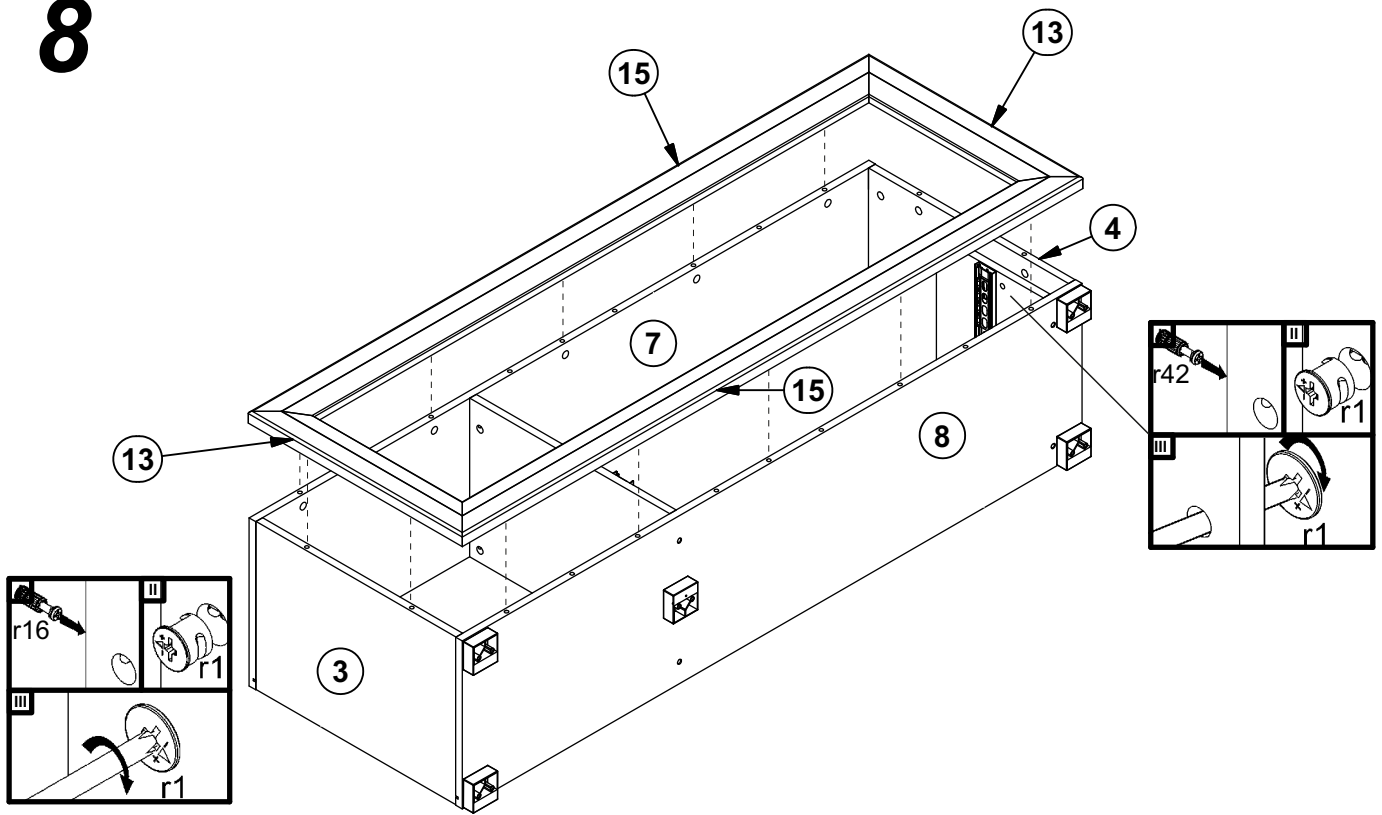
3



4



8



9

