

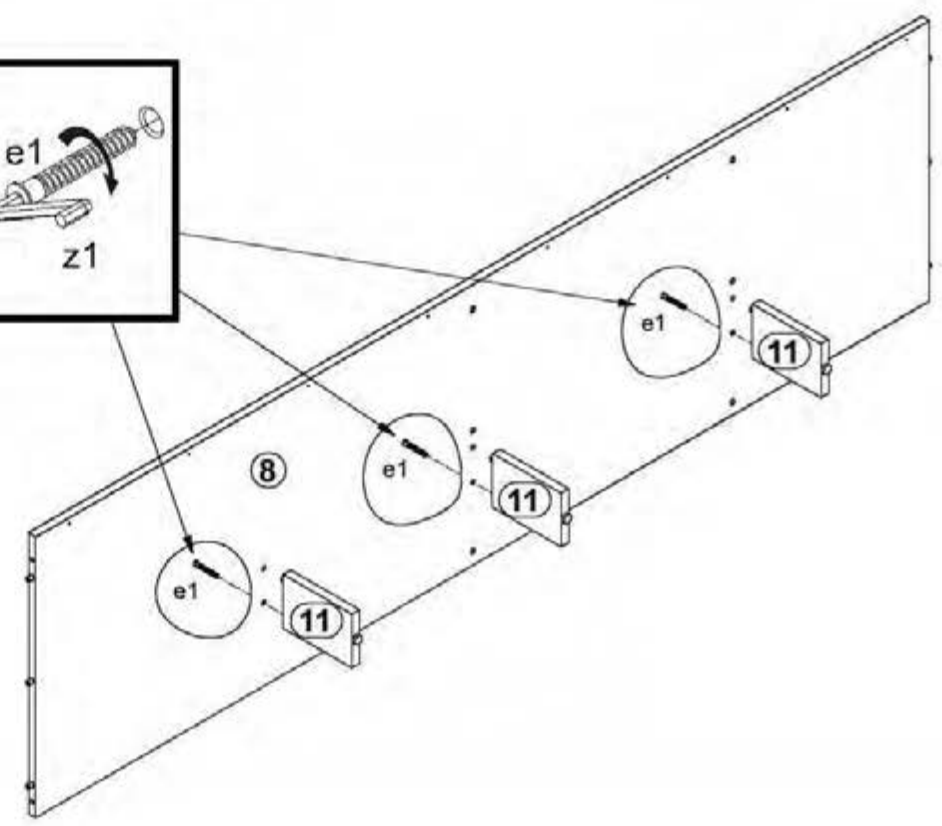
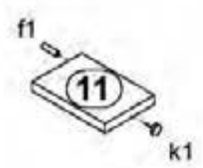
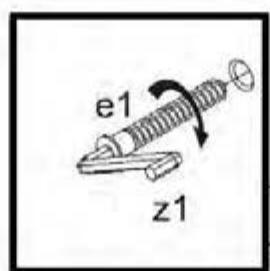
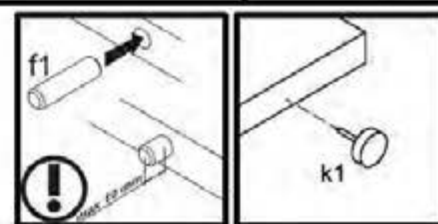
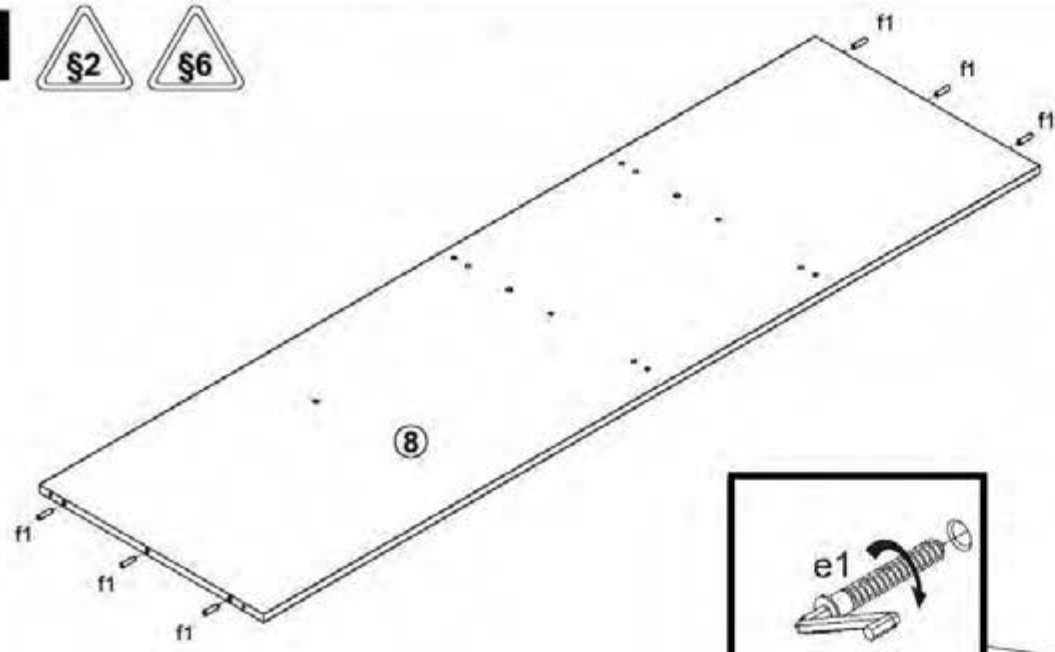
| A | B | C (mm) | | D |
|----|------------|--------|-----|-----|
| 1 | S228 0040 | 1945 | 496 | 4/5 |
| 2 | S228 0060 | 1945 | 496 | 5/5 |
| 3 | S228 1150 | 2109 | 540 | 1/5 |
| 4 | S228 1154 | 2109 | 540 | 1/5 |
| 5 | S228 1153 | 2015,5 | 520 | 1/5 |
| 6 | S228 1155 | 2015,5 | 490 | 1/5 |
| 7 | S228 2231 | 2136 | 540 | 2/5 |
| 8 | S228 3356 | 2104 | 520 | 2/5 |
| 9 | S228 3355 | 537 | 480 | 2/5 |
| 10 | S228 3357 | 538 | 480 | 2/5 |
| 11 | S228 531 | 147 | 100 | 2/5 |
| 12 | S228N 5581 | 540 | 80 | 2/5 |
| 13 | S228N 5596 | 2115 | 58 | 3/5 |
| 14 | S228N 5583 | 424 | 80 | 2/5 |
| 15 | S228N 5597 | 2105 | 58 | 3/5 |
| 16 | S228N 5601 | 2181 | 80 | 3/5 |
| 17 | S228N 5602 | 2020 | 80 | 3/5 |
| 18 | S228N 5593 | 1042 | 60 | 2/5 |
| 19 | S228N 5599 | 2105 | 80 | 3/5 |
| 20 | S228N 5600 | 2105 | 80 | 3/5 |
| 21 | S228 5591 | 1933 | 29 | 4/5 |
| 22 | Lh 2005 | 2005 | 14 | 1/5 |
| 23 | S228 3351 | 1044 | 517 | 2/5 |
| 24 | S228 981 | 2035 | 528 | 1/5 |
| 25 | S228 982 | 2035 | 550 | 1/5 |
| 26 | S228 983 | 2035 | 505 | 1/5 |
| 27 | S228 3354 | 490 | 480 | 2/5 |
| 28 | dr 1040 | 1040 | 30 | 2/5 |
| 29 | dr 486 | 486 | 30 | 2/5 |

cm 0 1 2 3 4 5 6 7 8 9 10

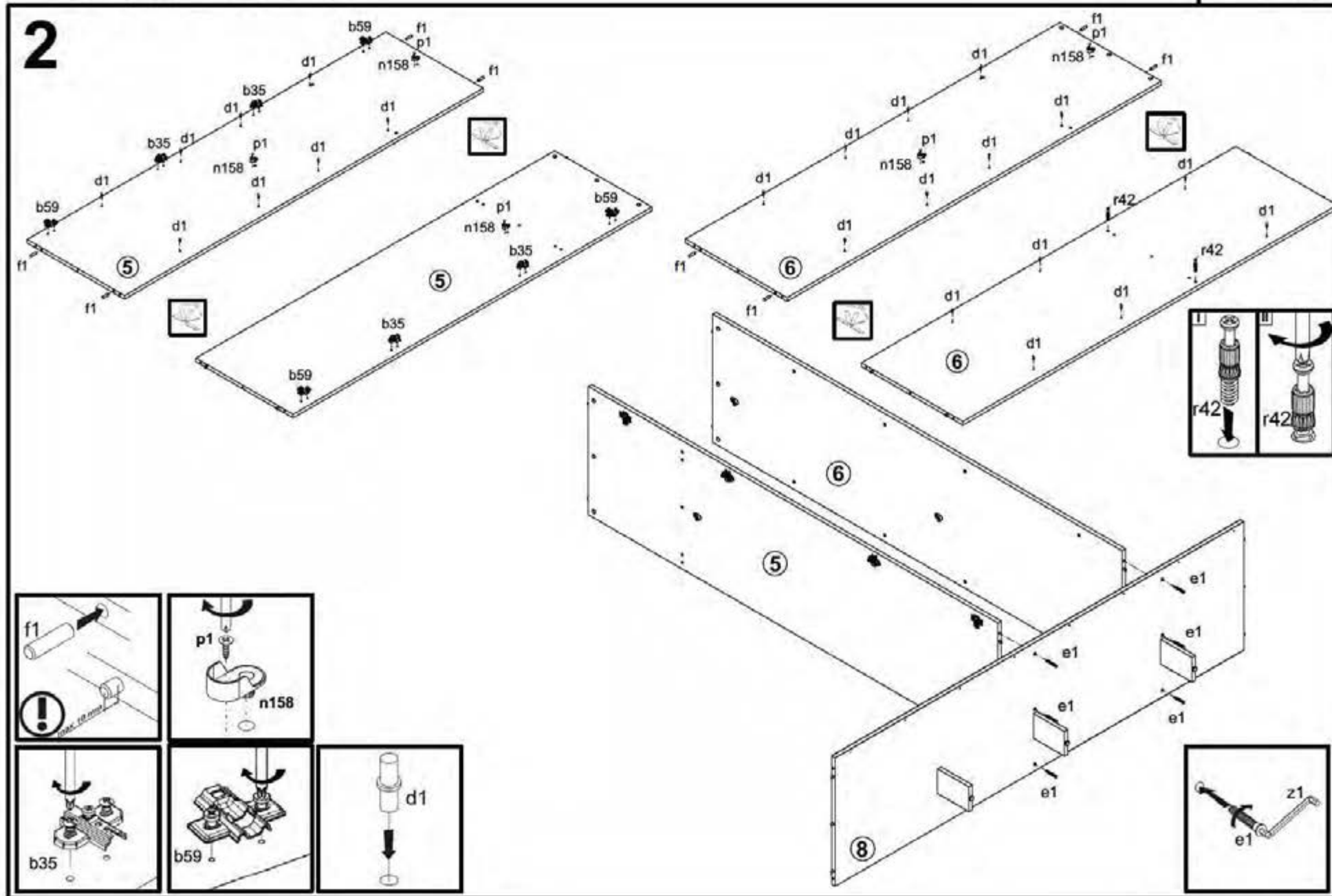
| | | | | | | | | | | | | |
|---------|---------|---------|--------|--------|---------|---------|---------|--------|----------|-----------|--------|---------|
| 4x a103 | 8x a132 | 4x a133 | 4x a68 | 4x b35 | 8x b43 | 4x b59 | 1x n142 | 6x p1 | 20x n108 | 2x c280\1 | 28x d1 | 8x d36 |
| 45x f1 | 16x f13 | 1x f35 | 4x j30 | 9x k1 | 2x k101 | 45x l1 | 12x s2 | 1x p17 | 1x z1 | 17x e1 | 16x e2 | 24x e22 |
| 20x p38 | 48x p51 | 20x p55 | 4x p79 | 8x p8 | 34x r1 | 34x r42 | 6x n158 | 22x l2 | 3x s1 | 8x o21 | | |

P28-S228-SZF3D 21 15-M IN19-A-KOR011

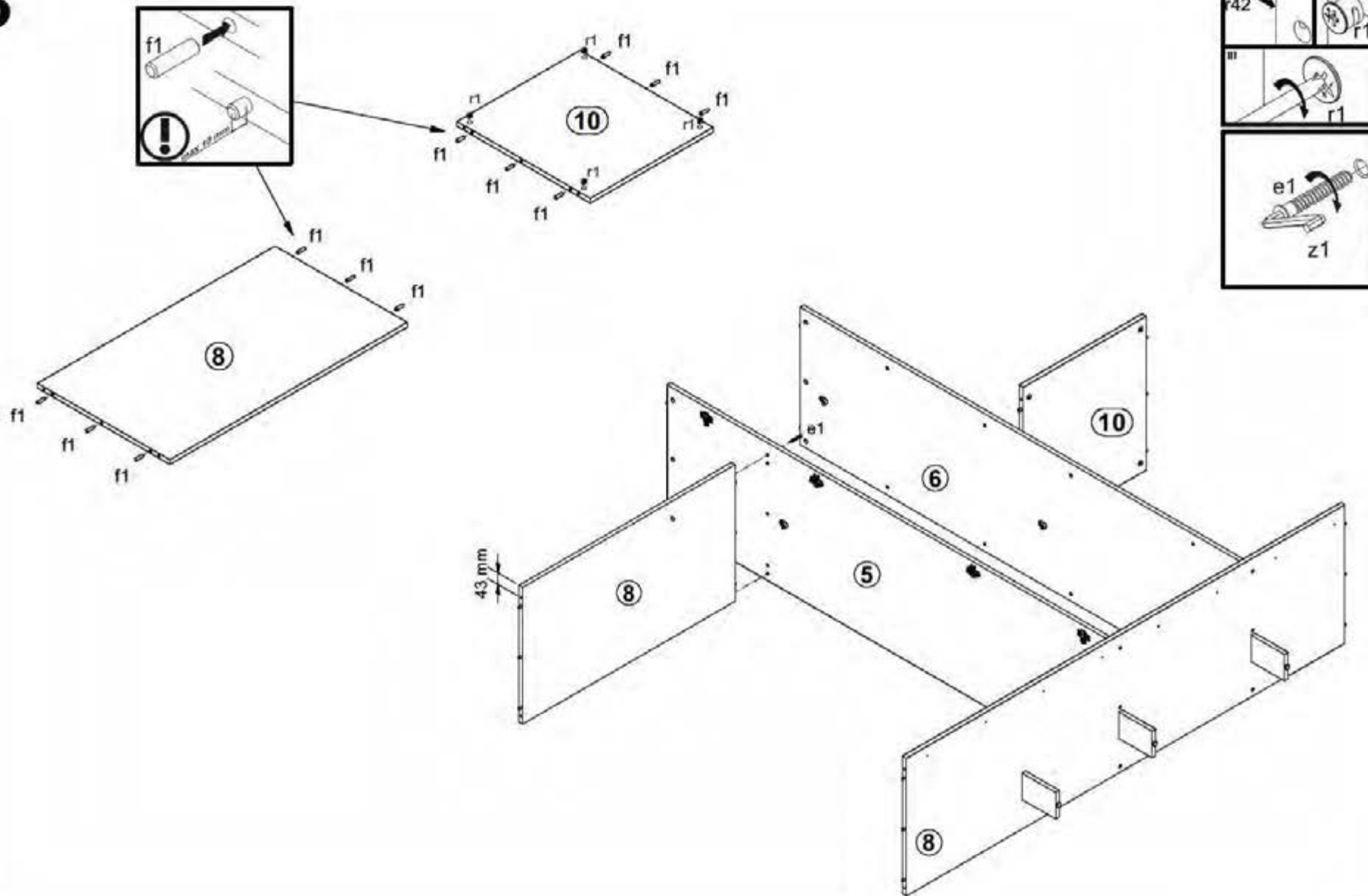
1 §2 §6



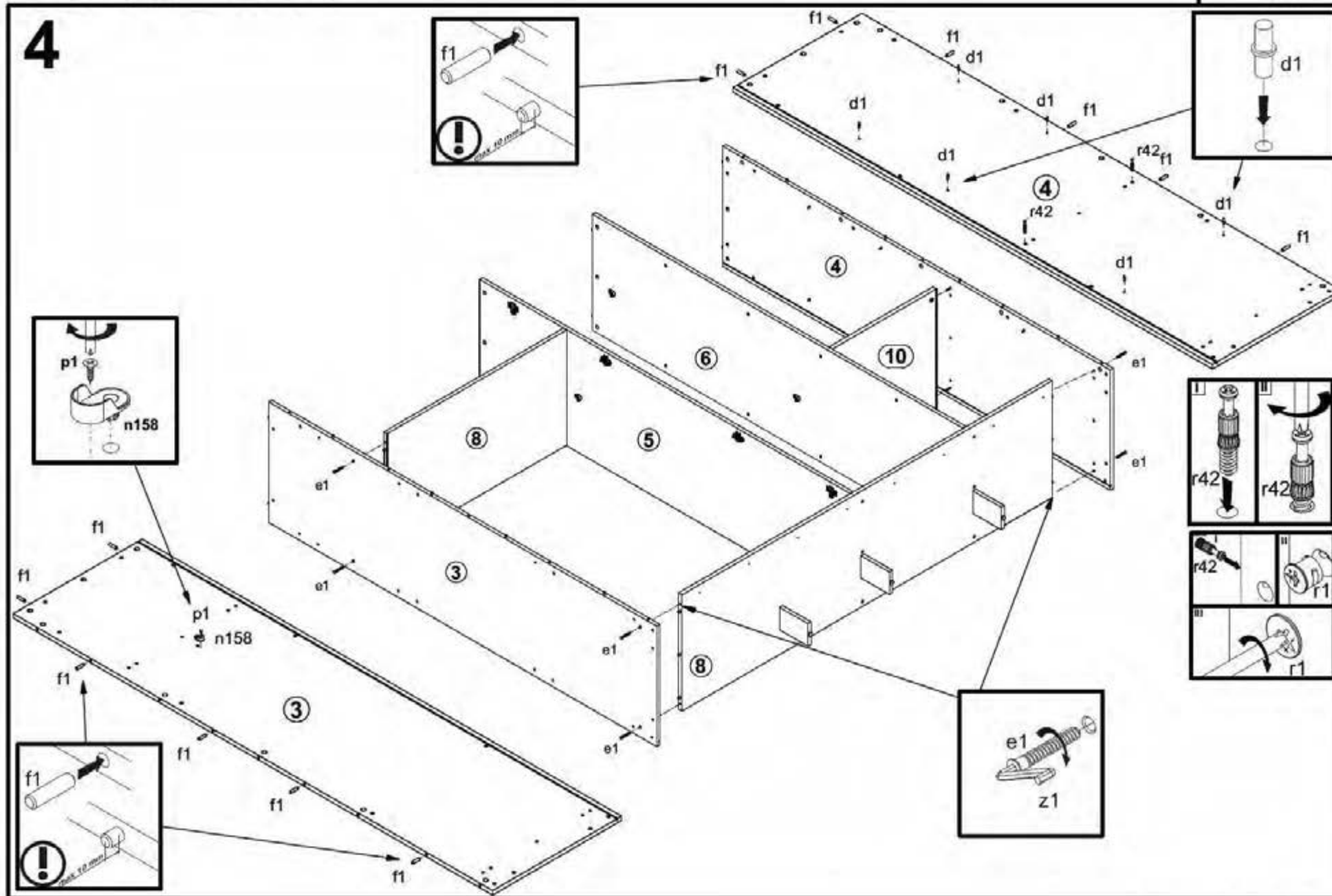
2



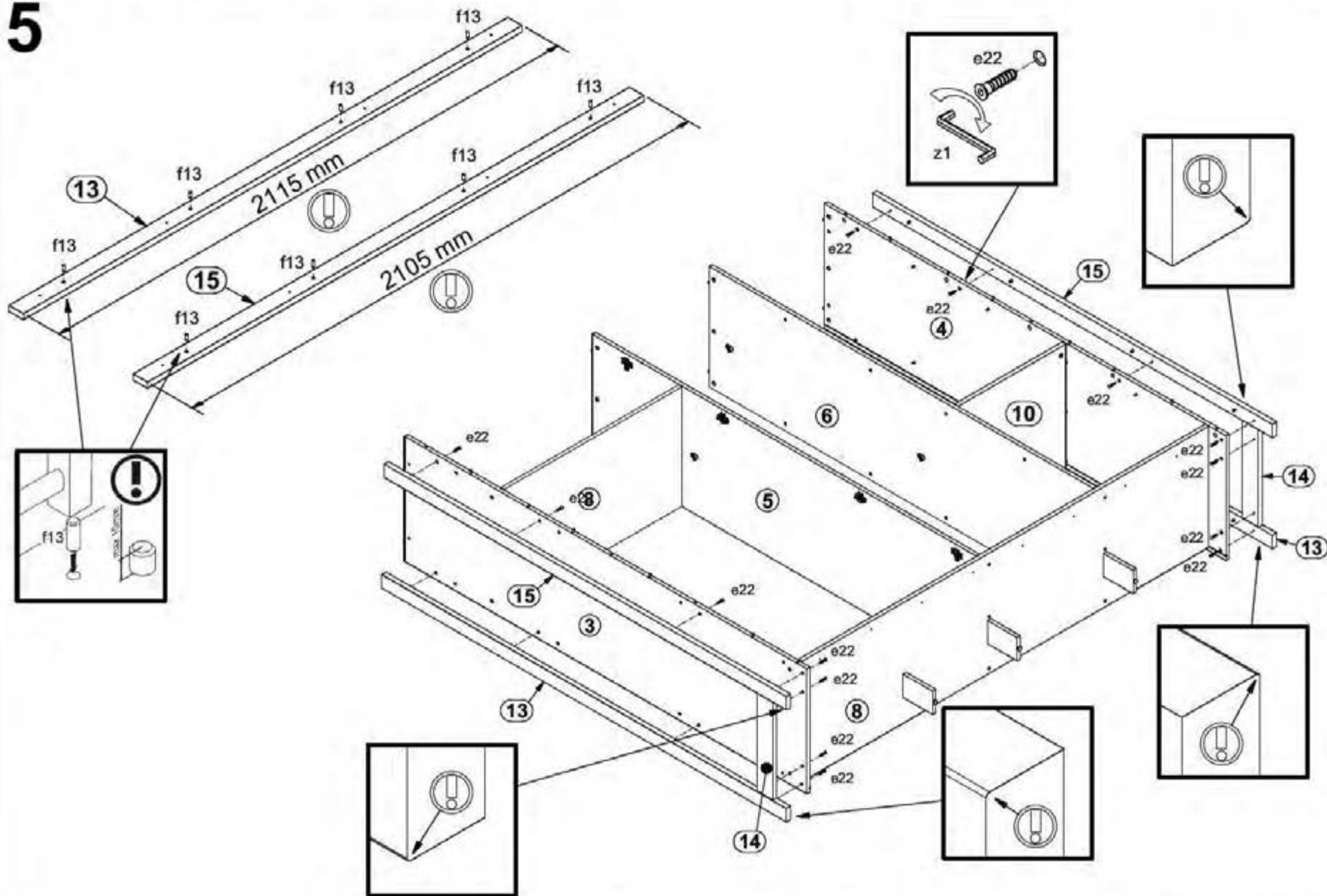
3



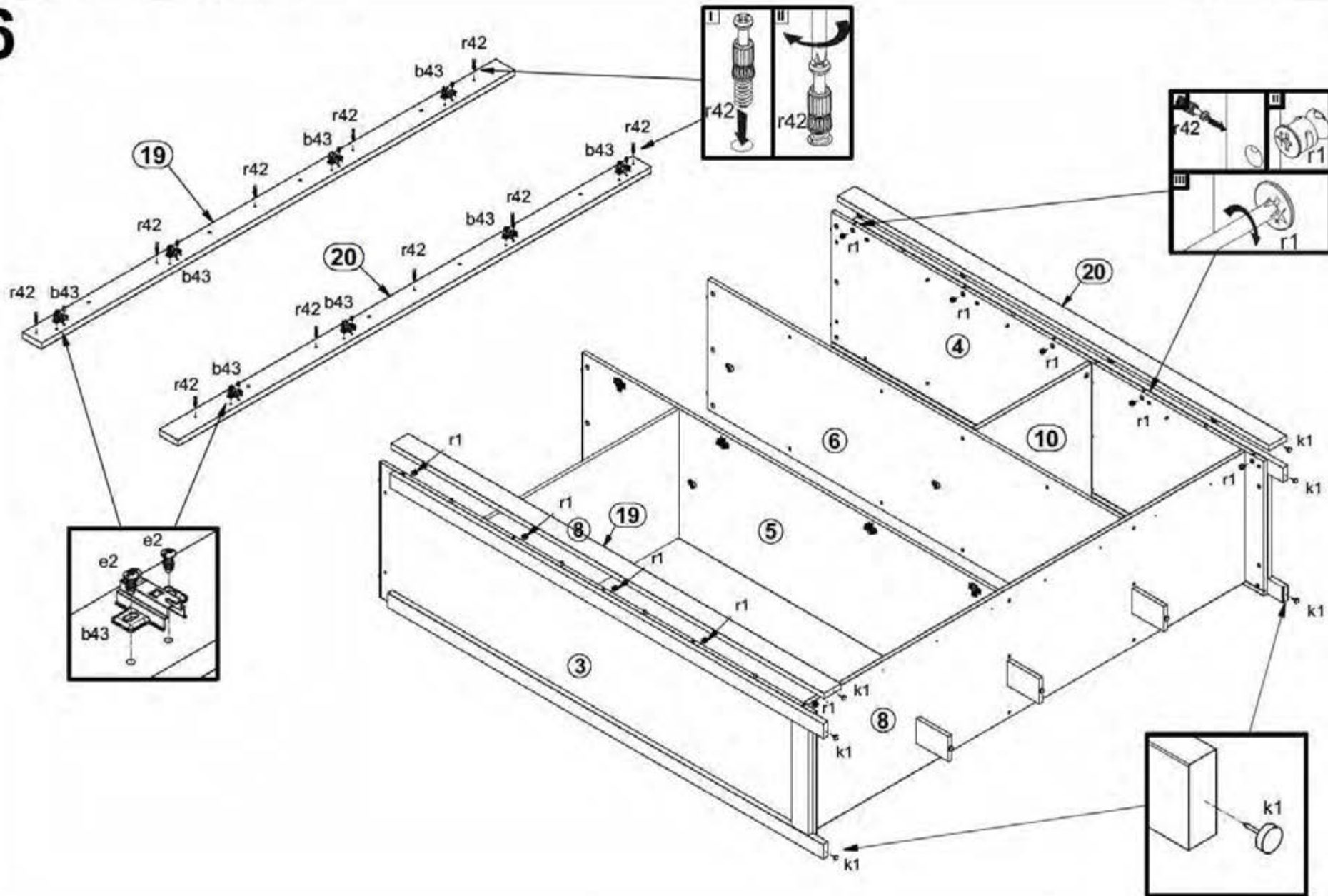
4



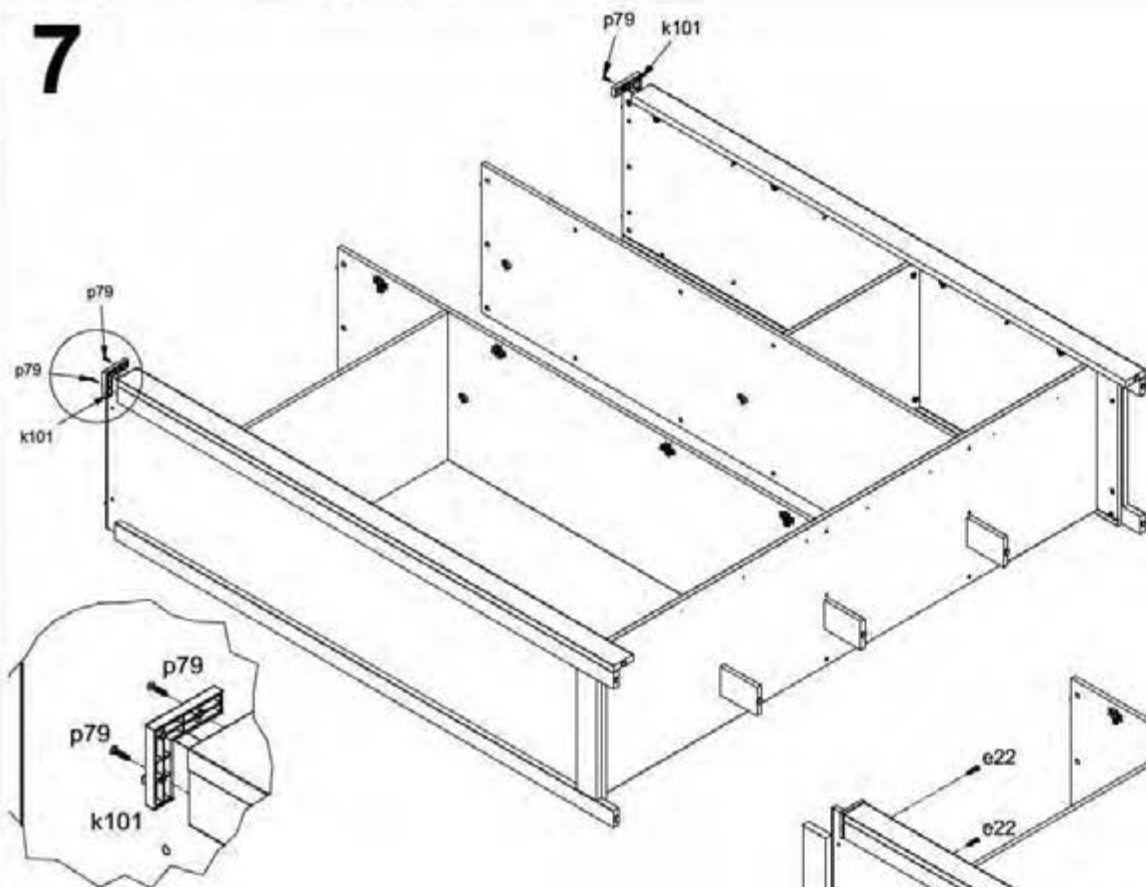
5



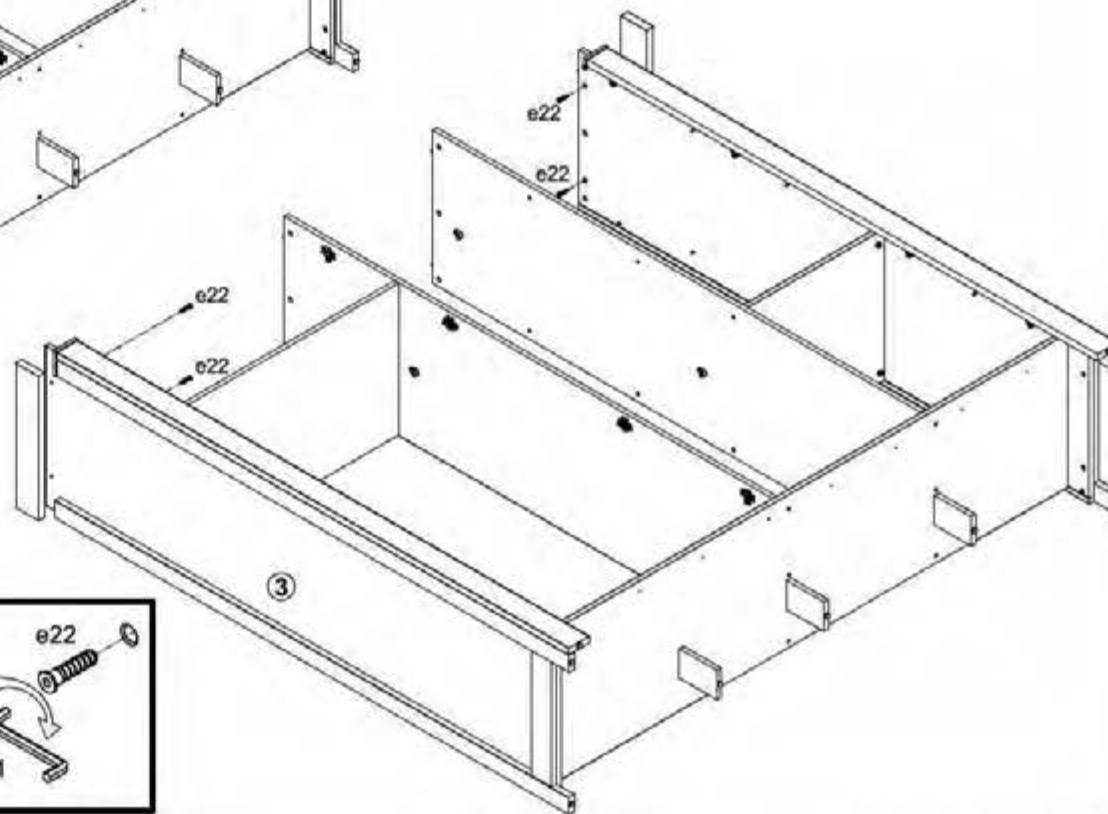
6

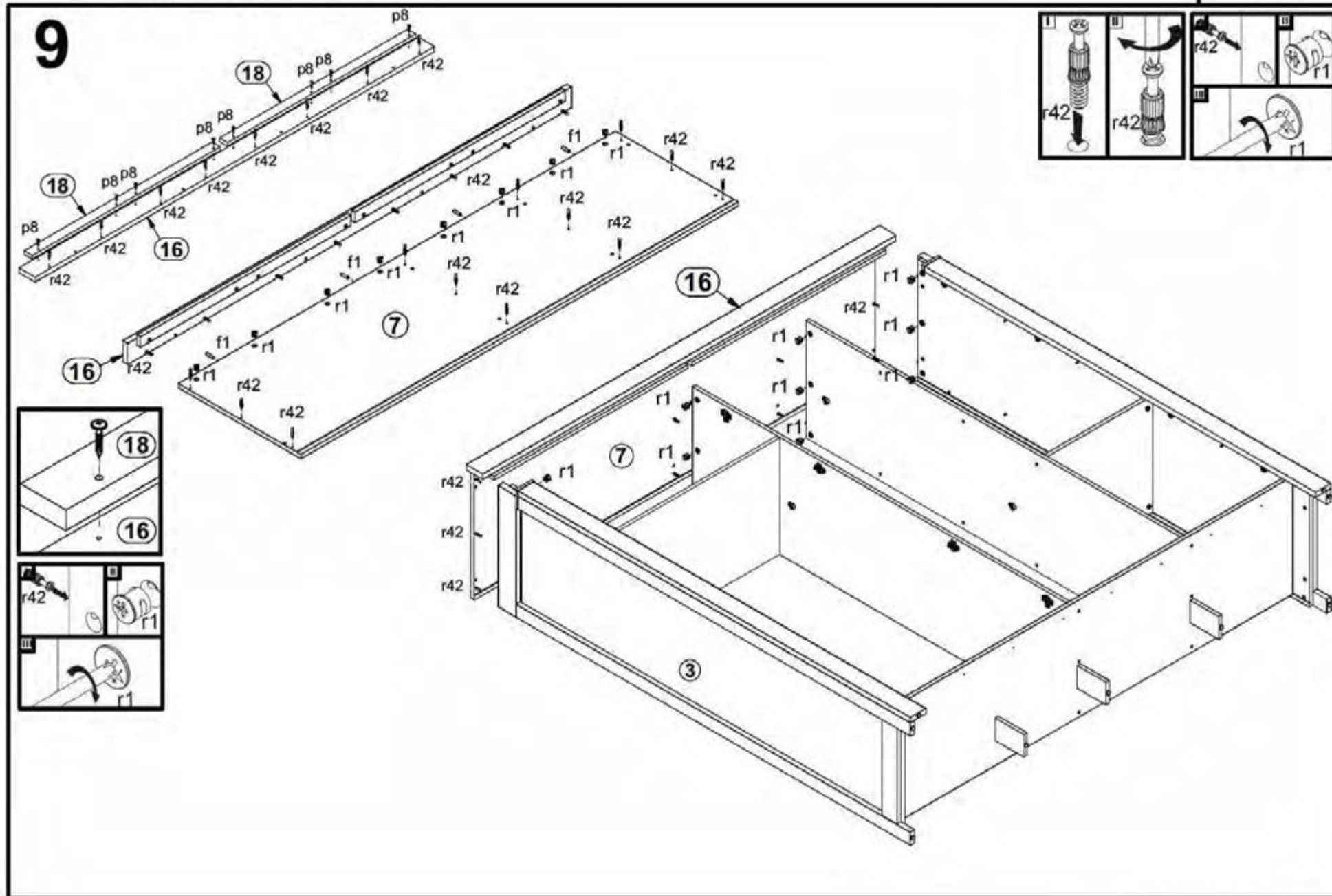


7

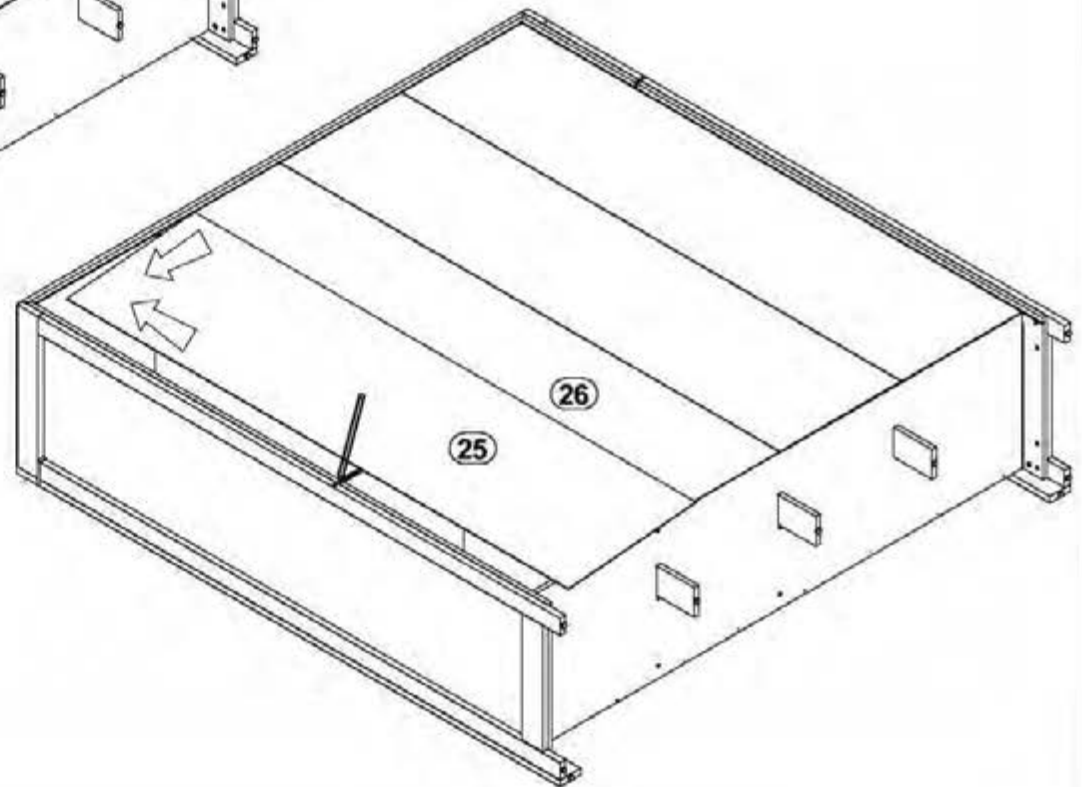
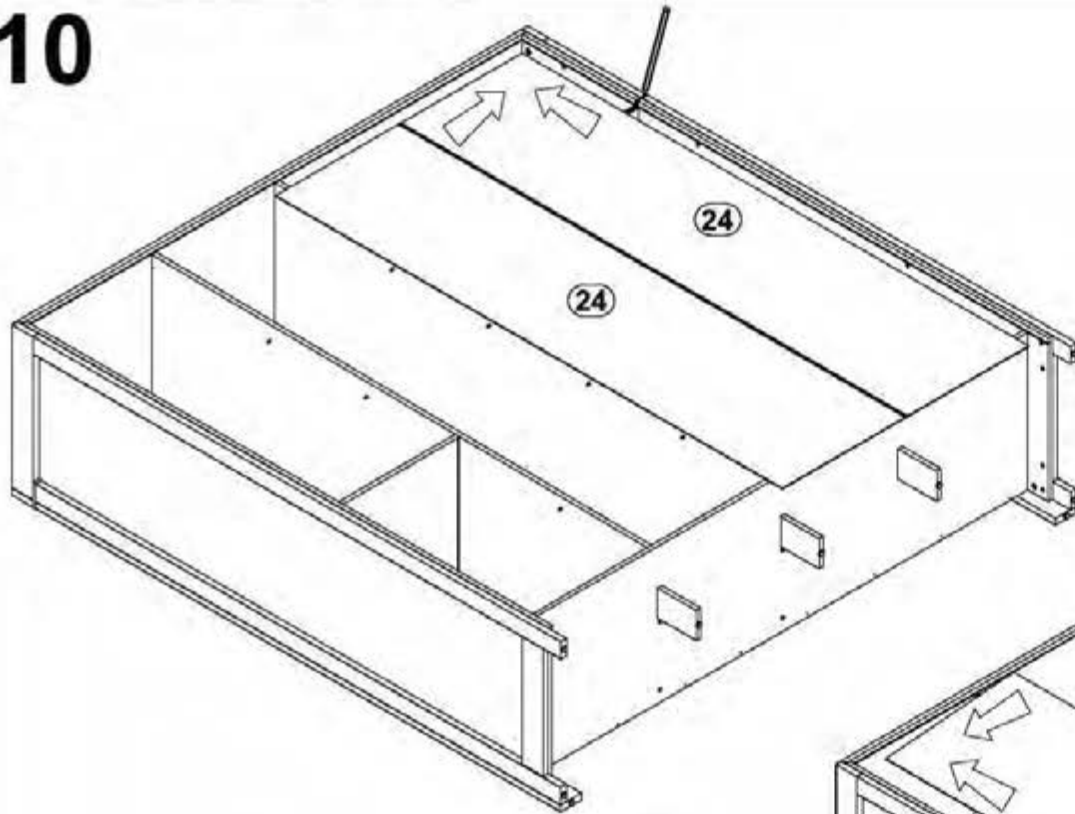


8

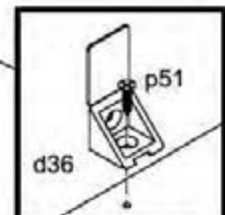
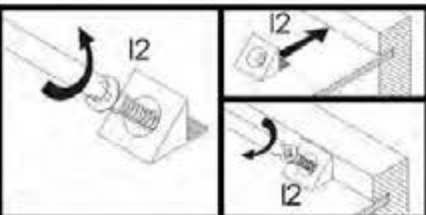
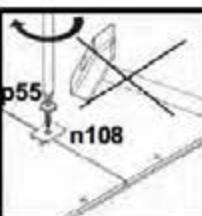
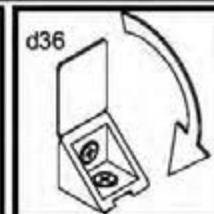
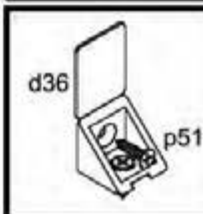
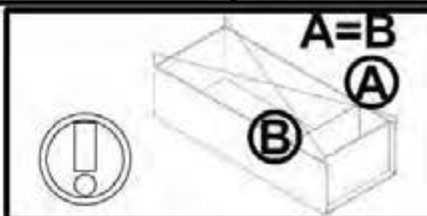
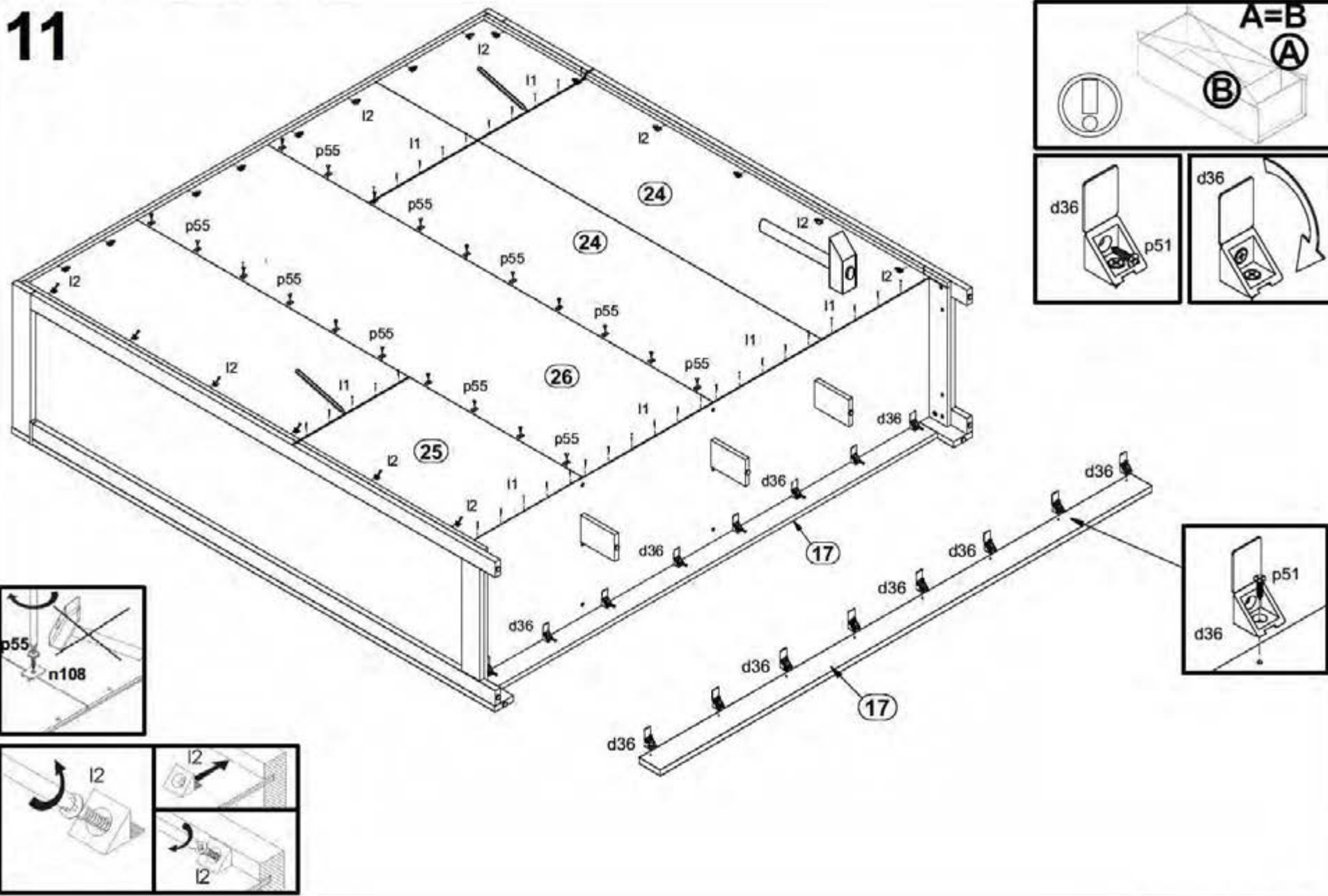




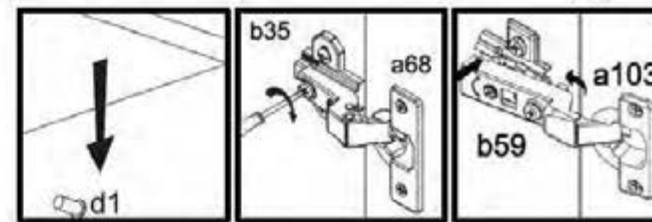
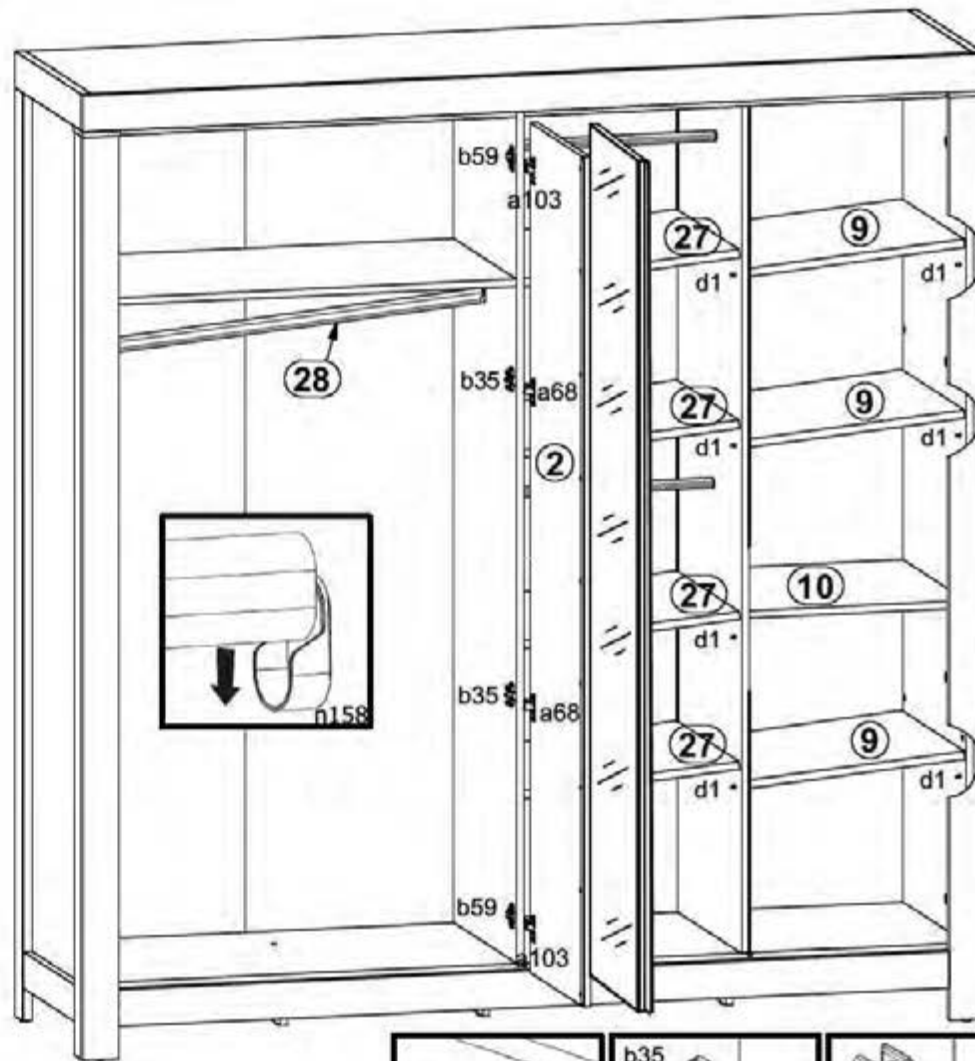
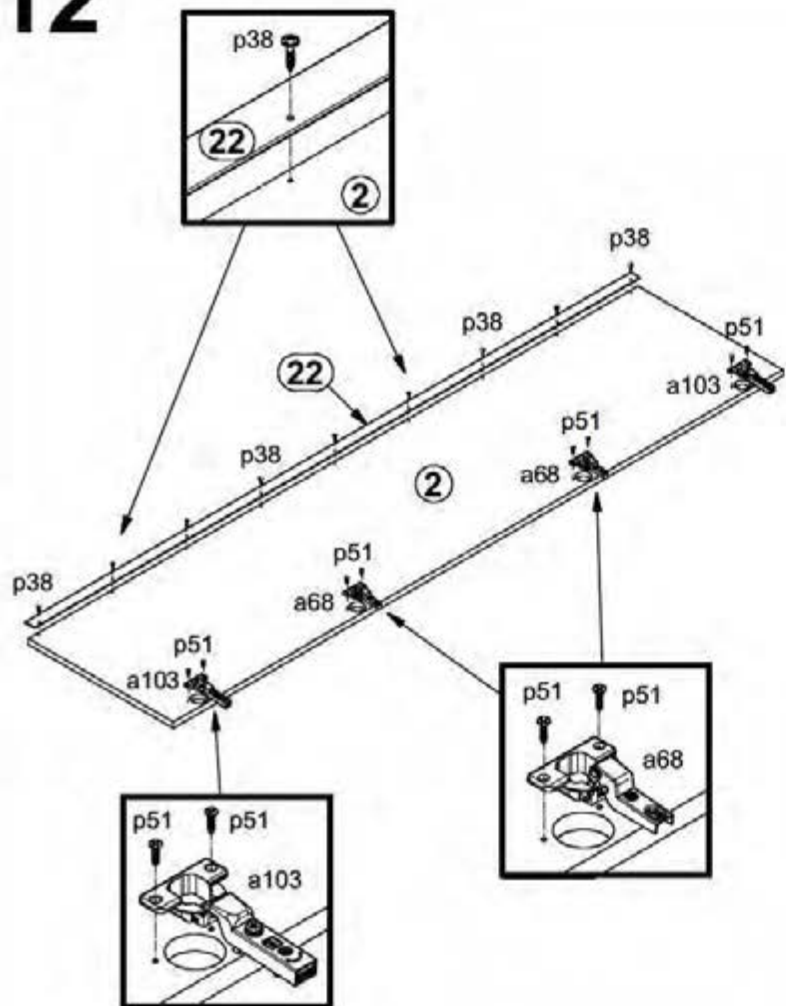
10



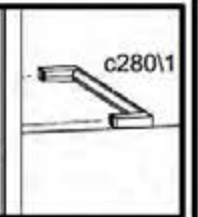
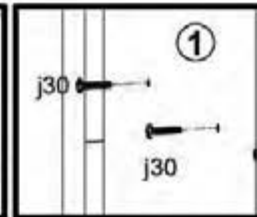
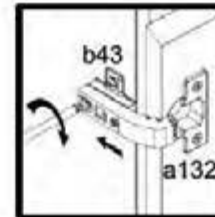
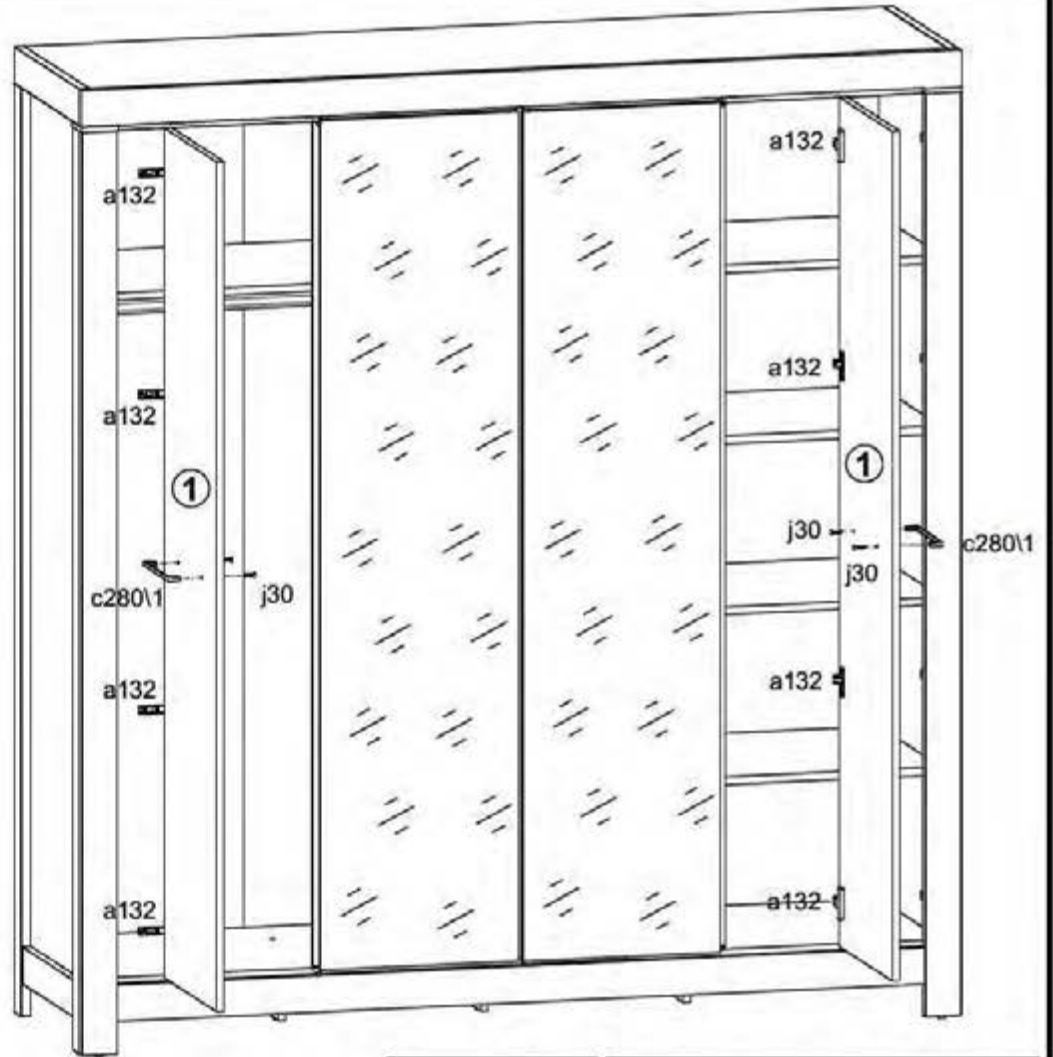
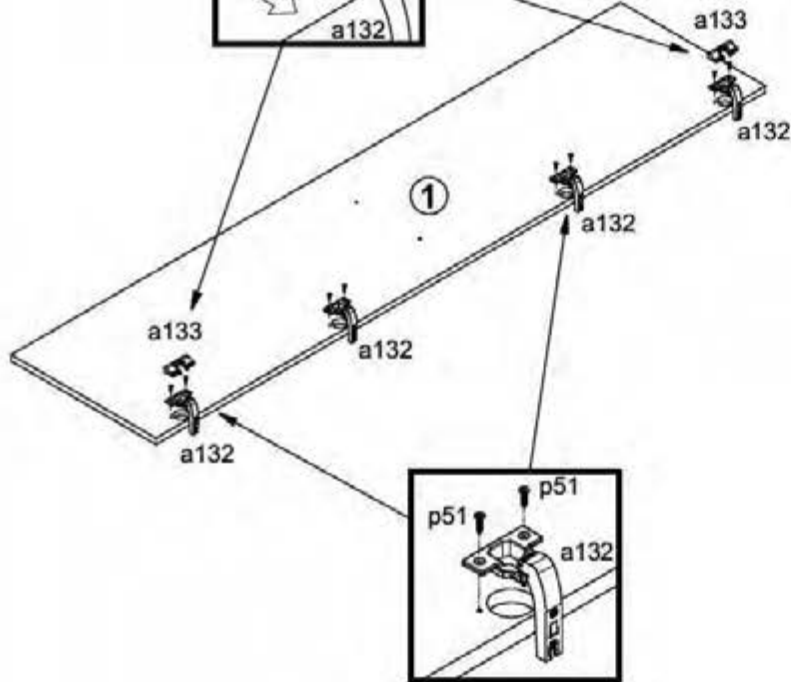
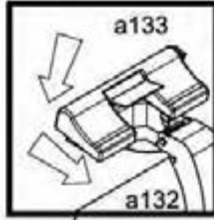
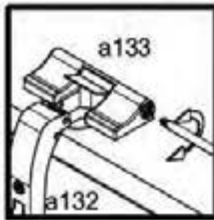
11



12



13



14

