

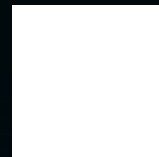
MARVEL STUDIOS

IRON MAN

76165

BOOKLET AVAILABLE IN ENGLISH ON
HEFT IN DEUTSCHER SPRACHE ERHÄLTICH AUF
LIVRET DISPONIBLE EN FRANÇAIS SUR
LIBRETTO DISPONIBILE IN ITALIANO SU
FOLLETO DISPONIBILE EN ESPAÑOL EN
如需中文版手册，请访问

LEGO.COM/SERVICE/BUILDINGINSTRUCTIONS





SOME HEROES ARE BORN. OTHERS ARE BUILT.

Iron Man is indisputably one of the most portrayed and beloved Super Heroes in the Marvel Cinematic Universe and comic books. The model you're about to build is our humble tribute to the heroics, suits and many faces of Iron Man.

GENIUS. BILLIONAIRE. PLAYBOY. PHILANTHROPIST.

Tony Stark is a shameless, self-promoting, fast-talking weapons and tech mogul. After being kidnapped by terrorists, he forges his first iron suit, blasts his way out of his desert prison, redefines his life purpose and rebuilds his identity as a Super Hero. Albeit still a deeply flawed character, his brilliant mind is his only superpower. As he struggles with inner demons and external threats, he puts a human face on super-heroism, evolving into a responsible strategist and powerful Avenger who (spoiler alert) pays the ultimate price to save the world.

THE SUITS THAT MAKE IRON MAN

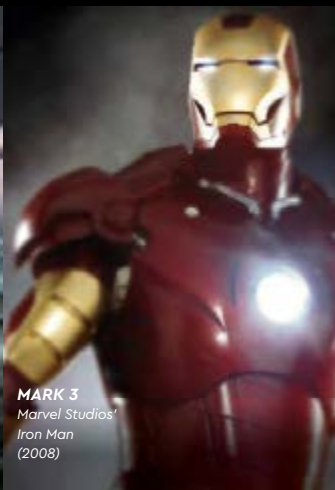
The suit makes the man, but man, Tony Stark can make the suit, too. As a visionary and later slightly paranoid inventor, he spends years perfecting new ones.

From **Mark 1**, the scrap iron suit of a fledgling Super Hero in Marvel Studios' *Iron Man* (2008), to the final **Mark 85**, which allows Stark to form a new Infinity Gauntlet, hold the Infinity Stones and defeat Thanos in Marvel Studios' *Avengers: Endgame* (2019), each suit represents its own facet of this complex character. How do you portray all these iconic features in one mask, with LEGO® bricks?

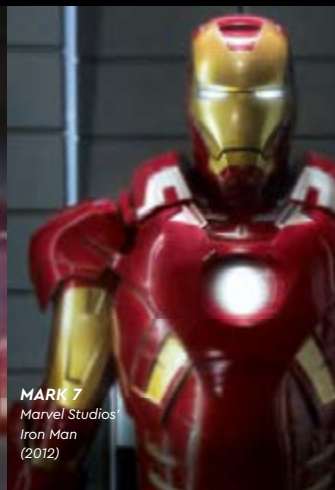
It seemed an impossible task. Senior LEGO Designer Mark John Stafford rose to the challenge. The result: an amalgamation of some of the most memorable expressions and moments of Iron Man's history.



MARK 1
Marvel Studios'
Iron Man
(2008)



MARK 3
Marvel Studios'
Iron Man
(2008)



MARK 7
Marvel Studios'
Iron Man
(2012)



MARK 85
Marvel Studios'
Iron Man
(2019)



MARK 42
Marvel Studios' Iron Man 3 (2013)



THE CREATION OF THE LEGO® HELMET

FIRST, RESEARCHING THE SUITS

Marvel Studios' *Iron Man* (2008) gives us **Mark 3**, the first signature hot rod red/gold suit which Stark's AI assistant Jarvis sarcastically remarks will "help him keep a low profile". But who can forget Stark plummeting to Earth in his **Mark 7** in Marvel Studios' *The Avengers* (2012) – the first suit to automatically deploy and assemble? Or the **Mark 50** nanotechnology that spawns those cool new weapons in Marvel Studios' *Avengers: Infinity War* (2018)? And, of course, there's that fateful **Mark 85** from Marvel Studios' *Avengers: Endgame* (2019).

LEGO® DESIGNER, MARK J. STAFFORD EXPLAINS:

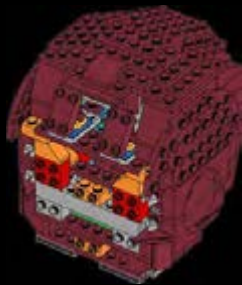
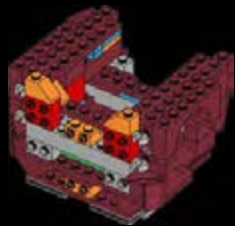
"We wanted to capture the essence of the movie masks, with respect for the comic book heritage, and get the shapes as accurate as possible for this scale.

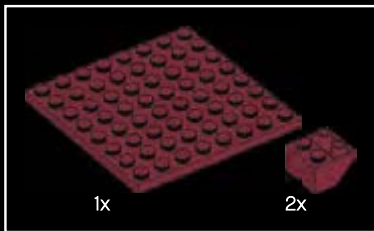
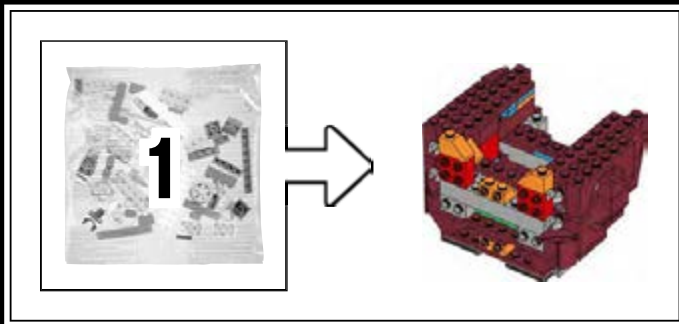
It's a challenge to build curves and slopes out of bricks, especially the forehead, nasal bridge and ears. The cheekbones are classic comic book. In a few of the books, his mask had a nose, but I think we've achieved the smooth, powerful welding-helmet look that is so representative of who Iron Man is."



...IF WE CAN'T PROTECT THE EARTH, YOU CAN
BE DAMN WELL SURE WE'LL AVENGE IT"

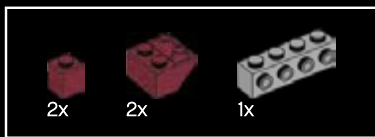
- TONY STARK
Marvel Studios' *The Avengers* (2012)



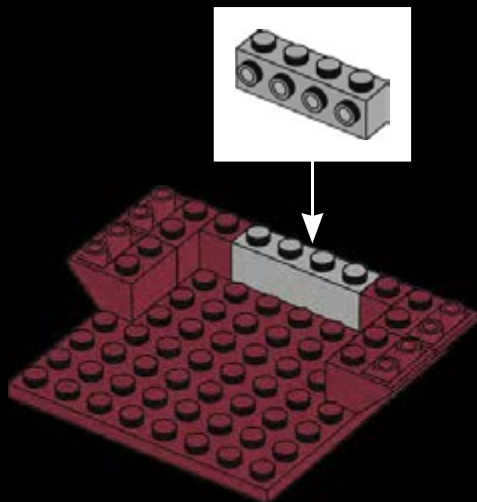


1

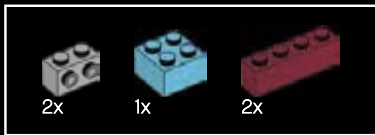




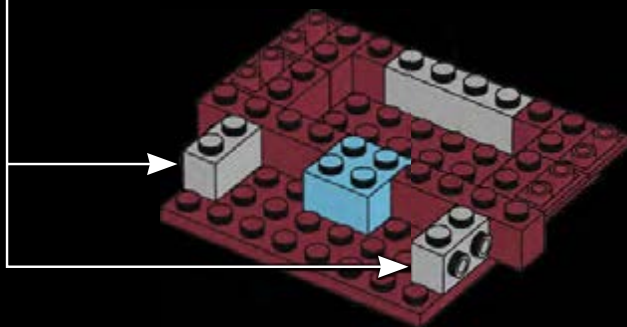
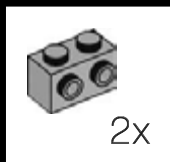
2

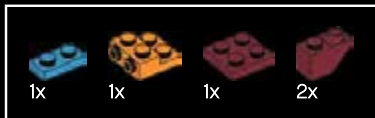


6

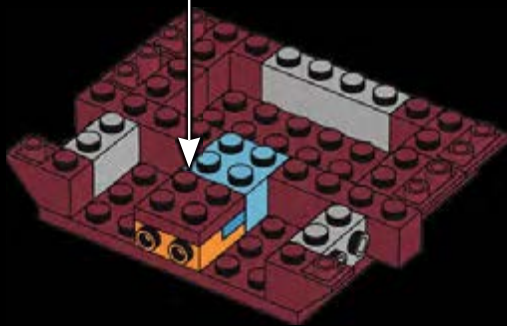
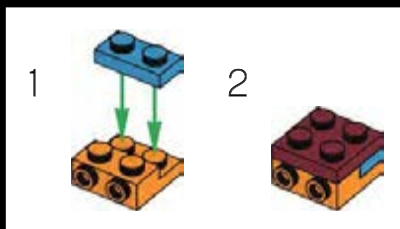


3





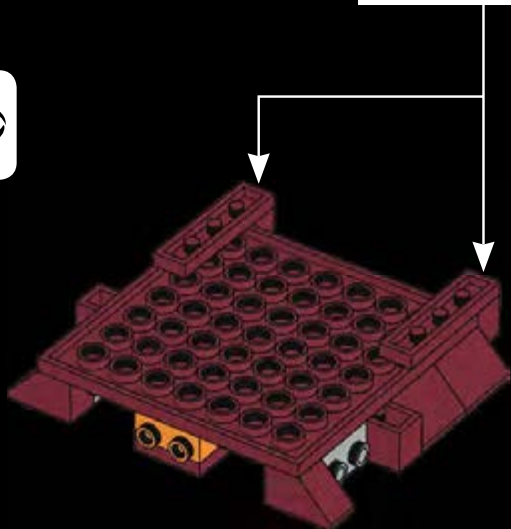
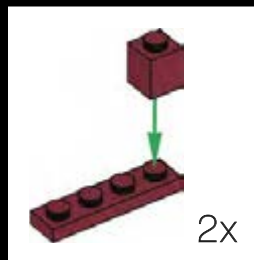
4

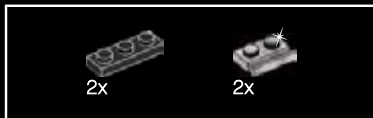


8

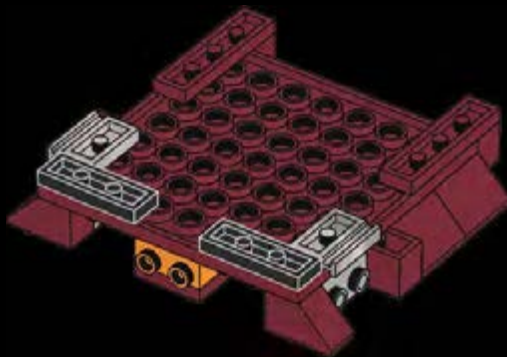


5

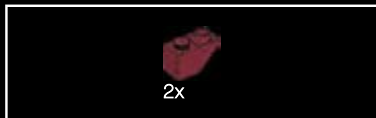




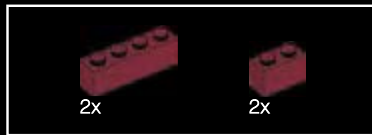
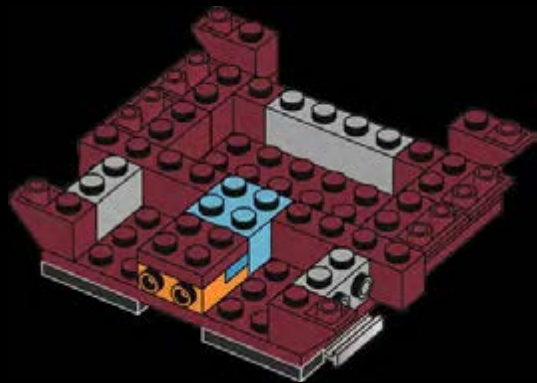
6



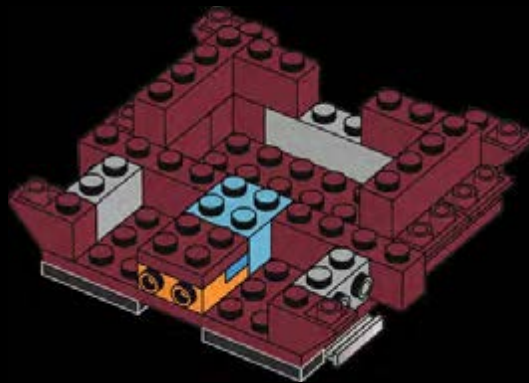
10

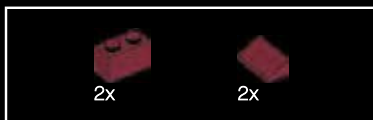


7

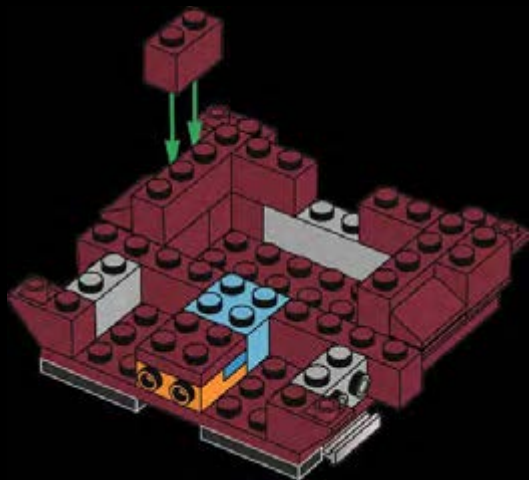


8

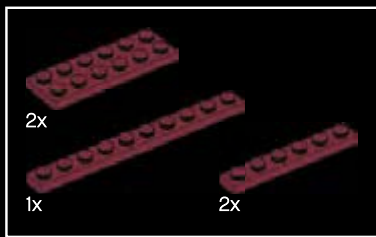




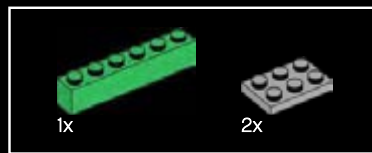
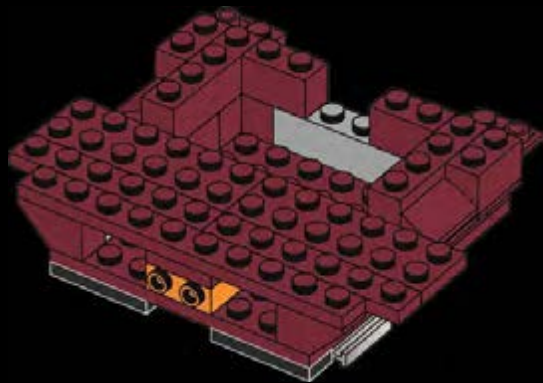
9



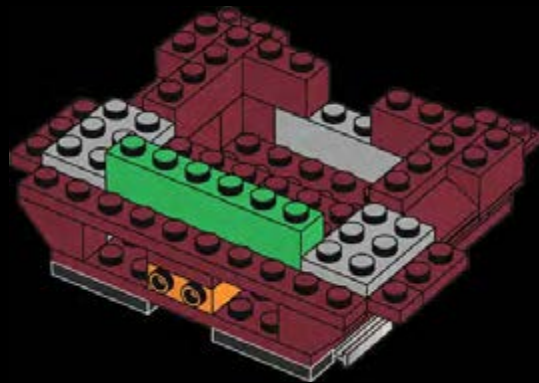
12



10



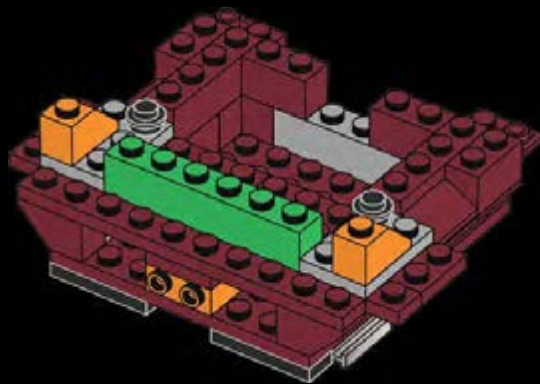
11



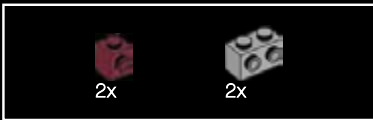
13



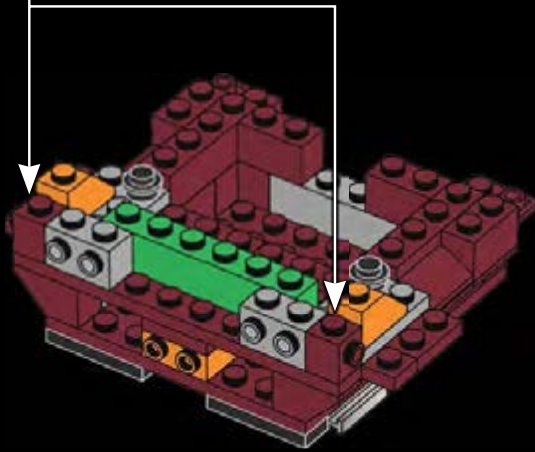
12

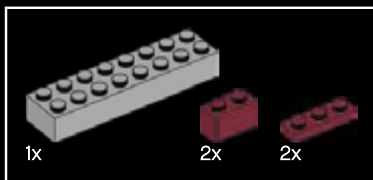


14

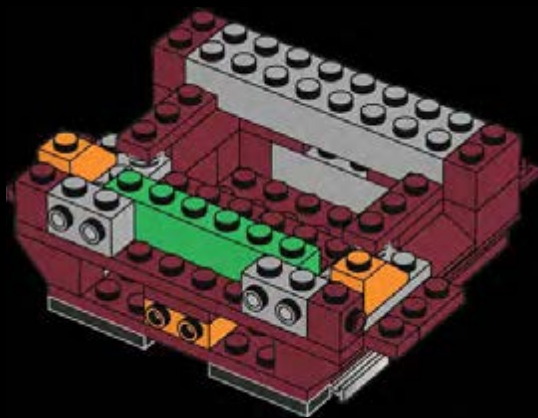


13

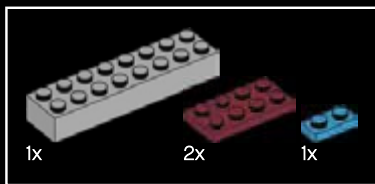




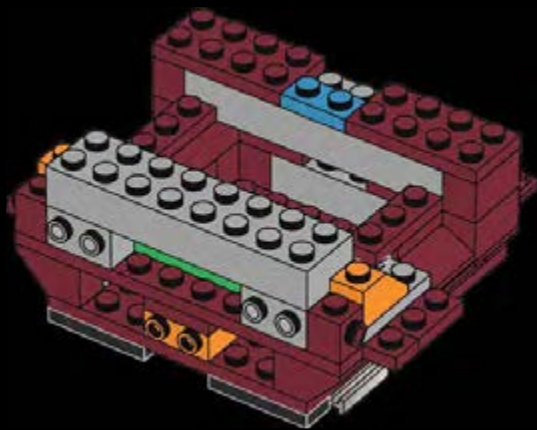
14



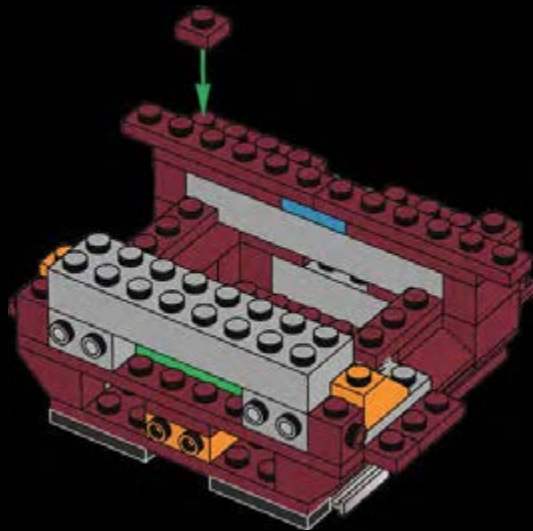
16



15



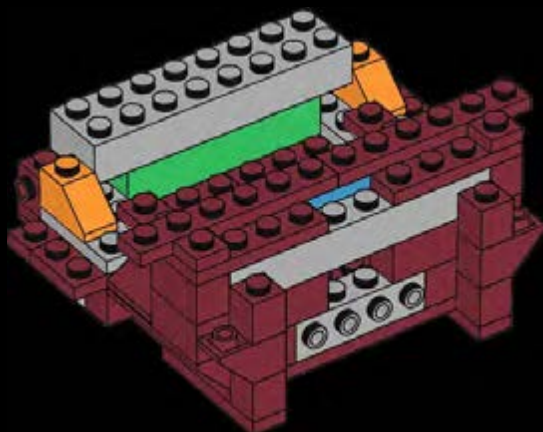
16



17



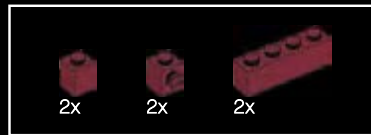
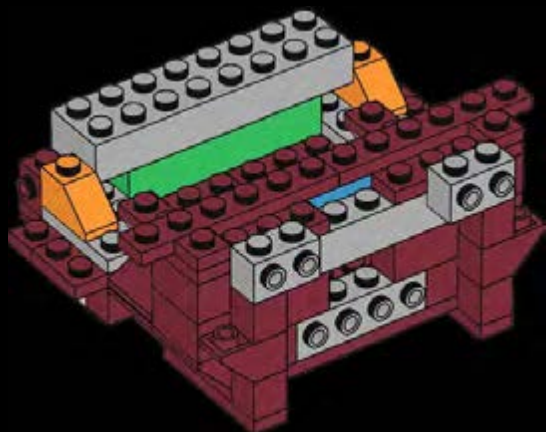
17



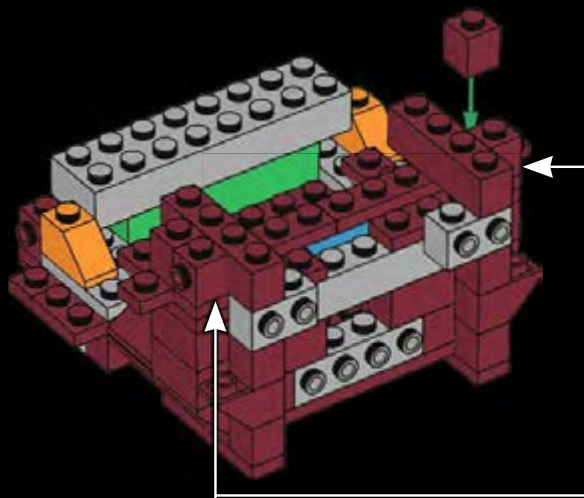
18



18



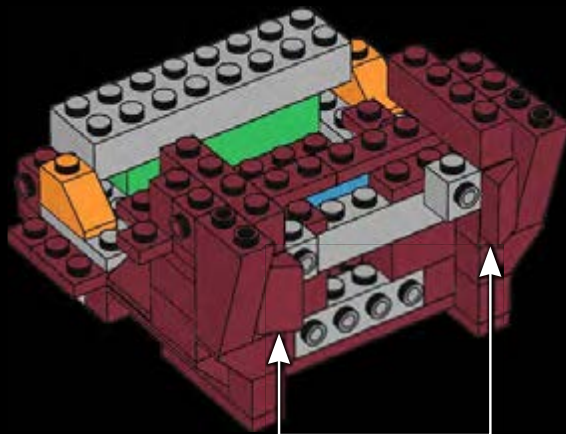
19



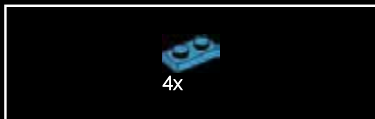
19



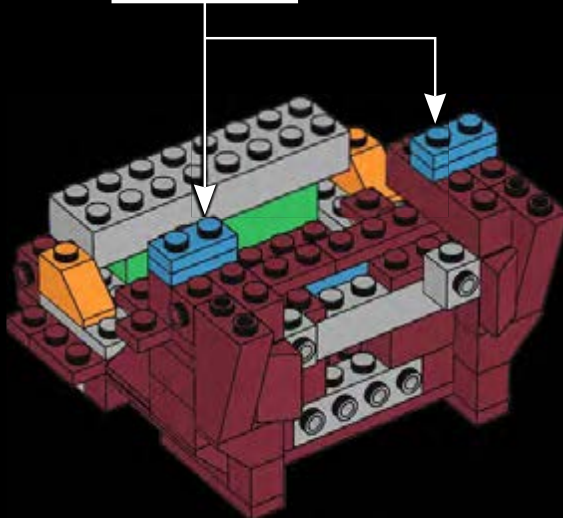
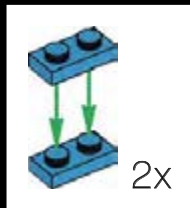
20



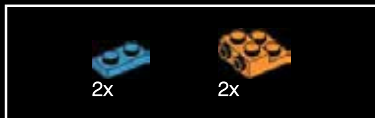
20



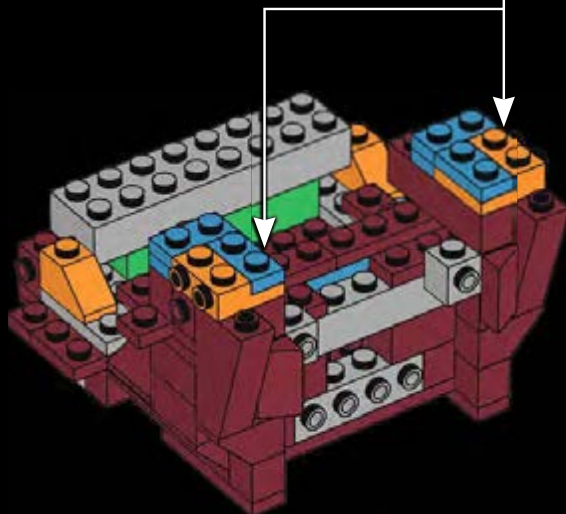
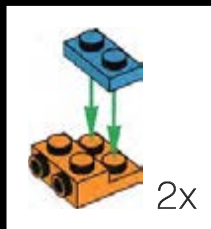
21



21



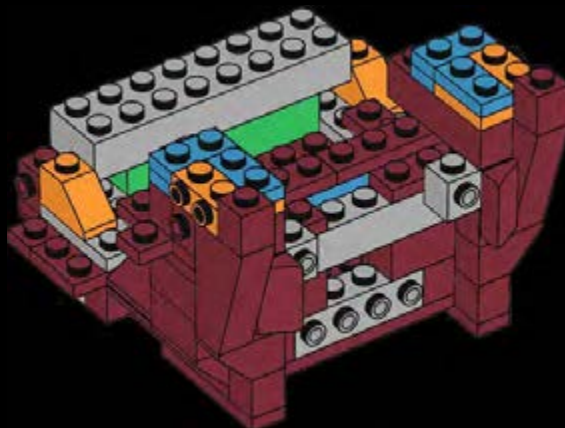
22



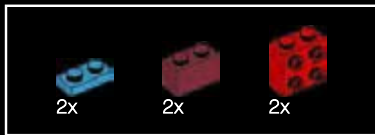
22



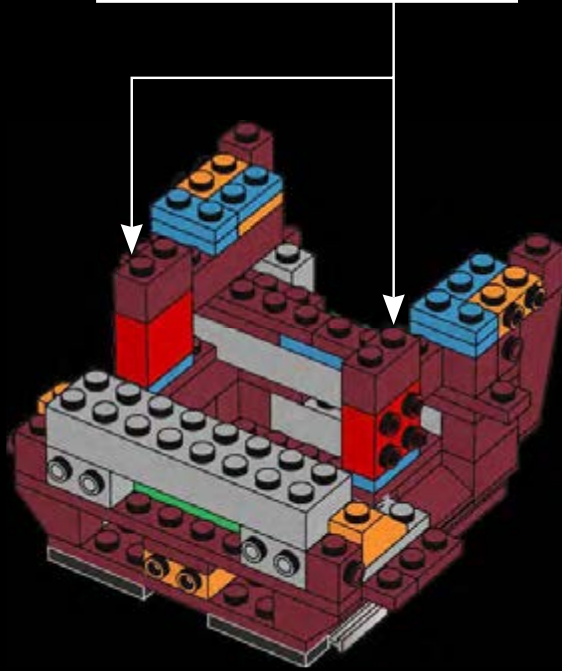
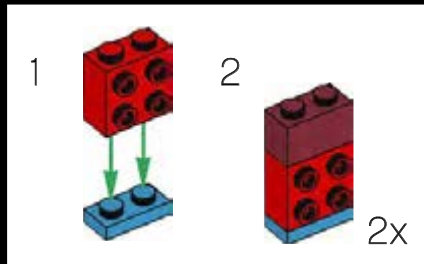
23



23



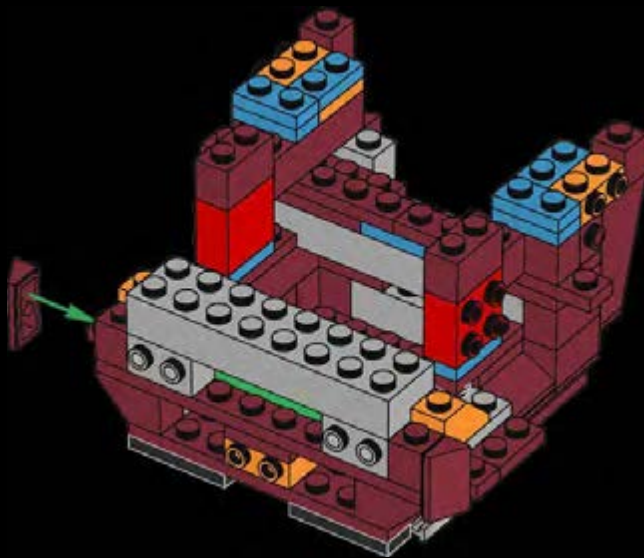
24



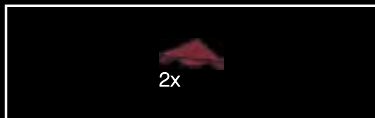
24



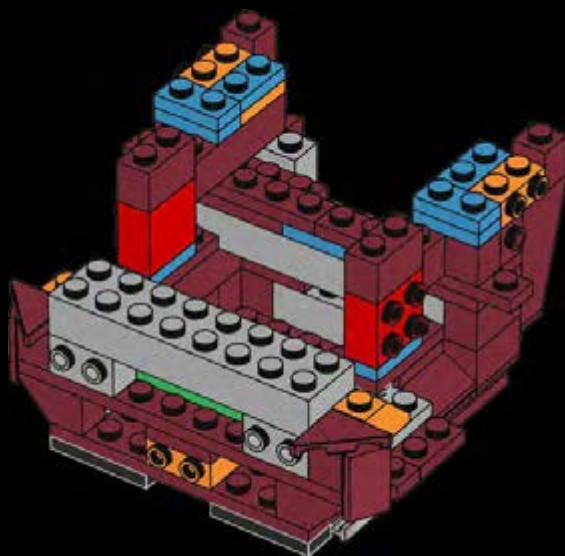
25



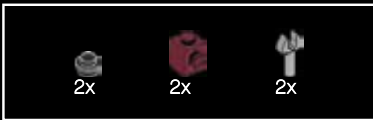
25



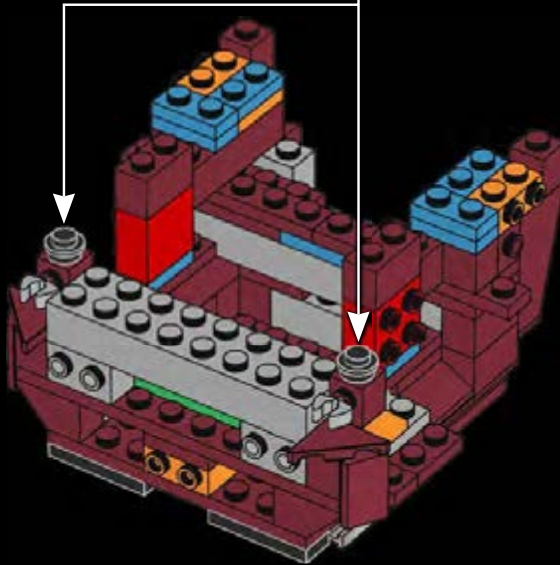
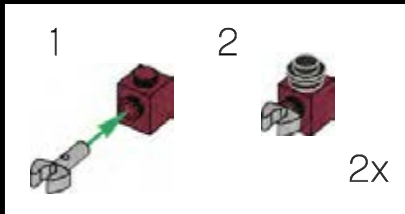
26

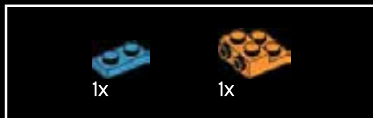


26

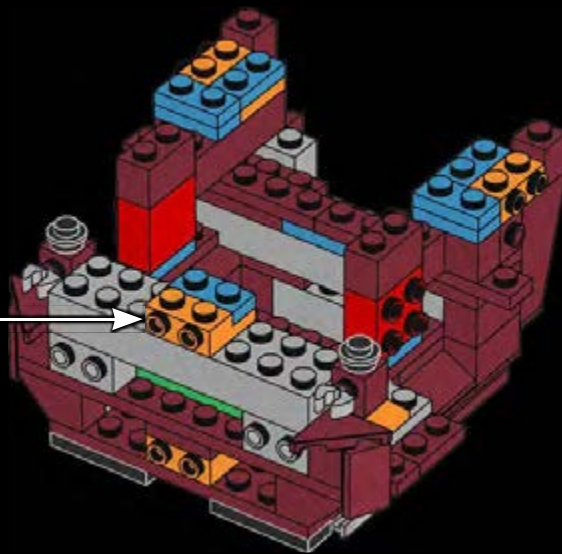


27





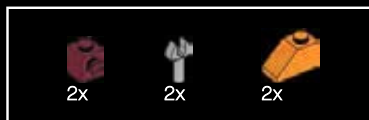
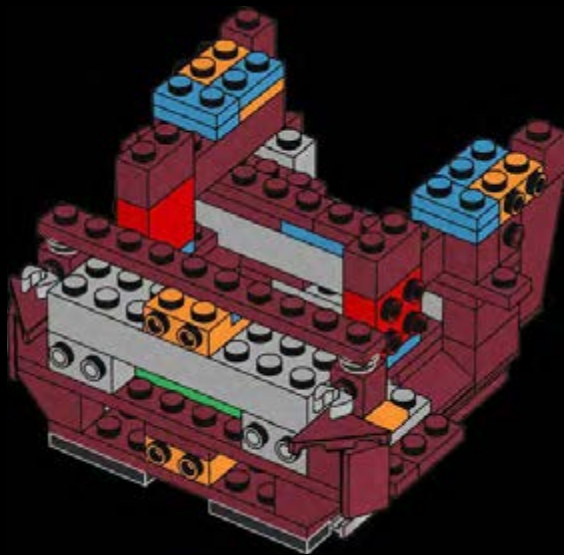
28



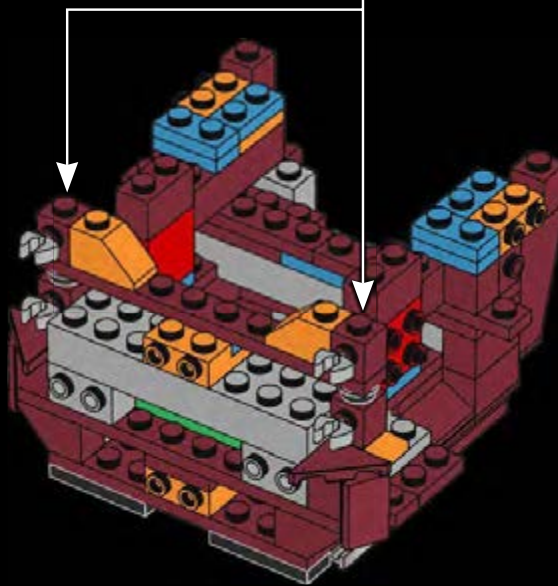
28



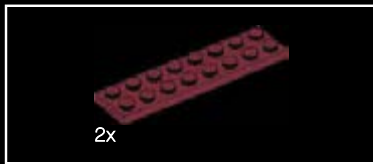
29



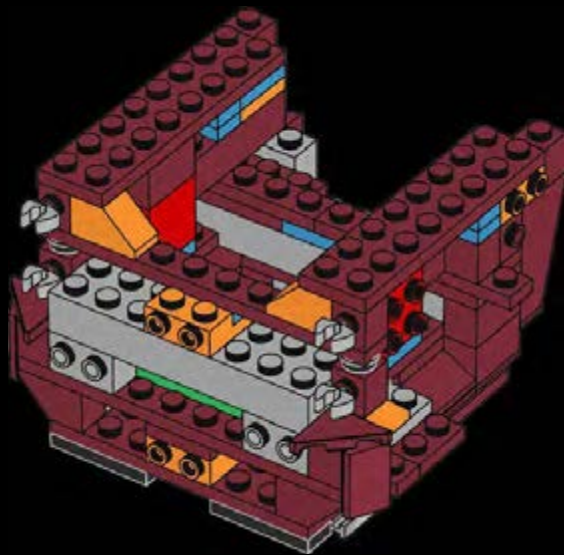
30



29



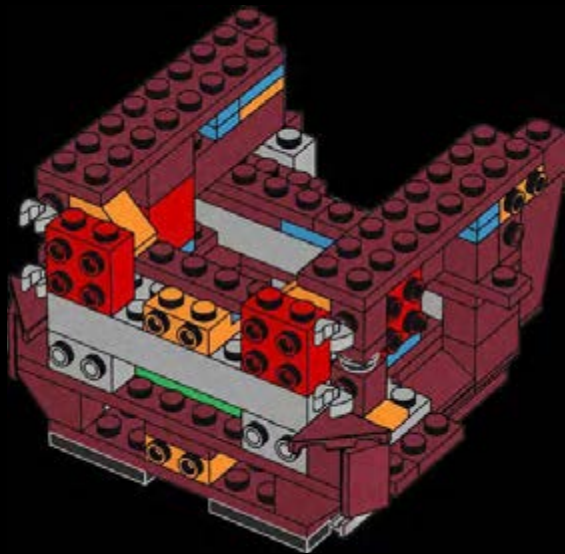
31



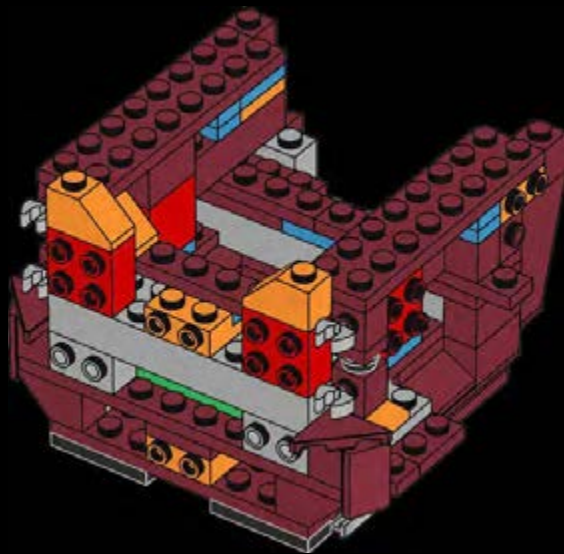
30



32

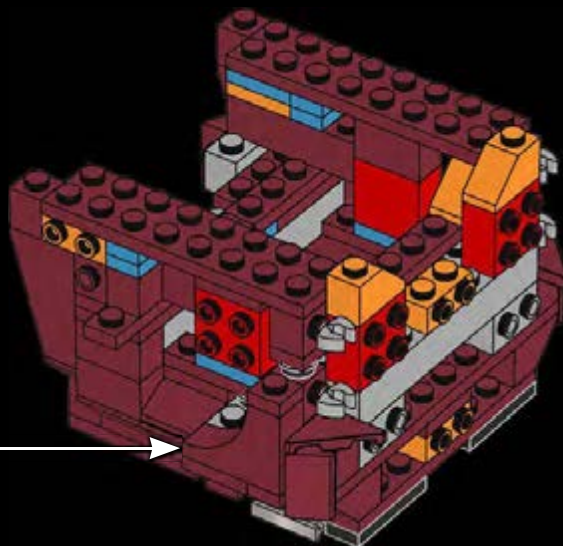


33





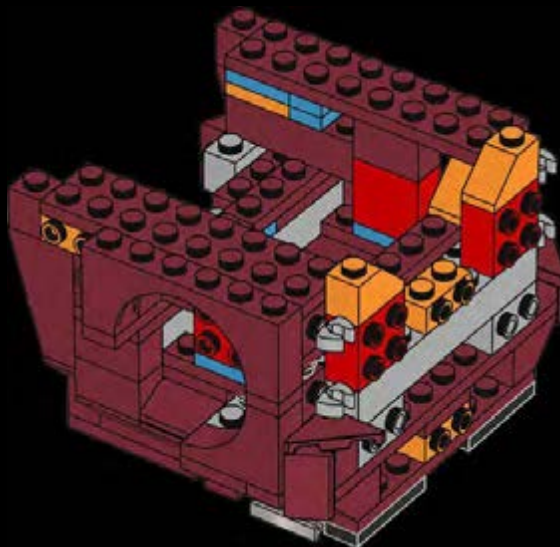
34



32

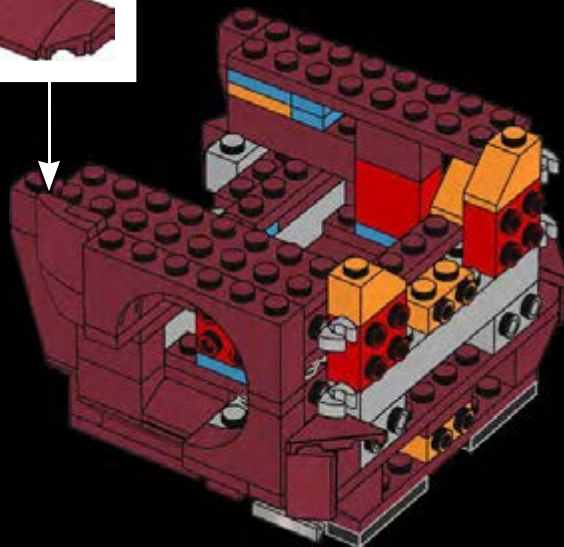
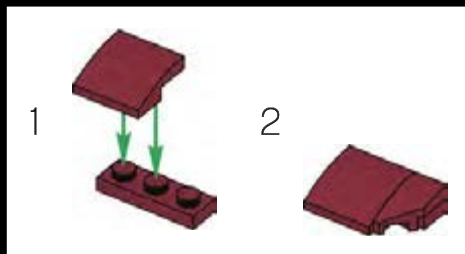


35

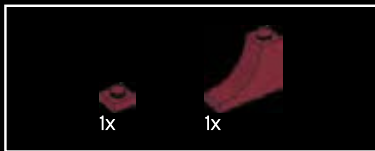




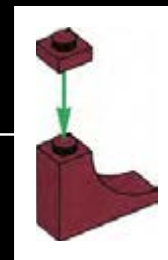
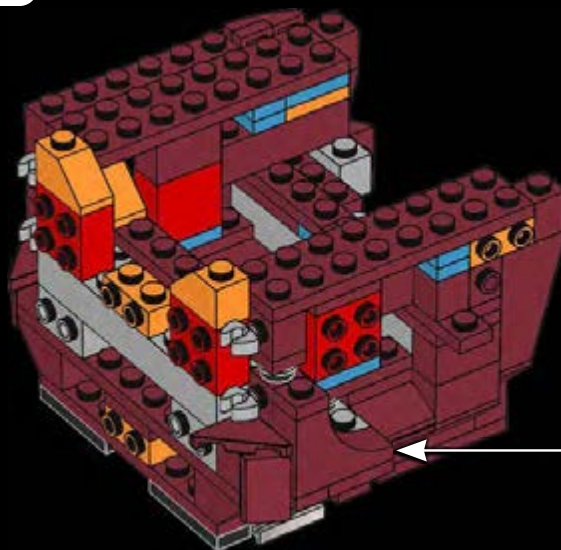
36



34



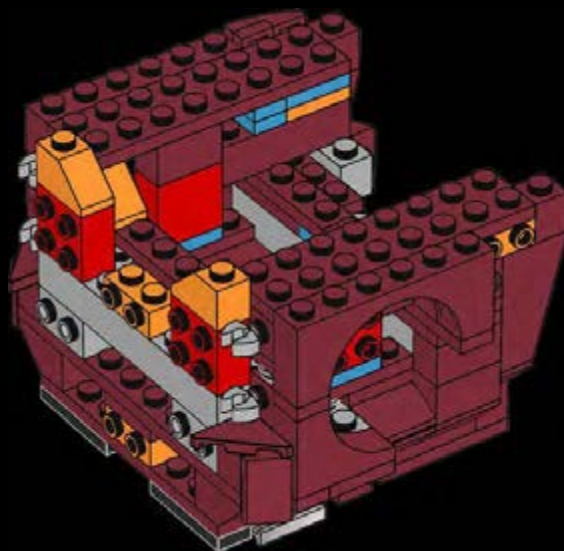
37



35



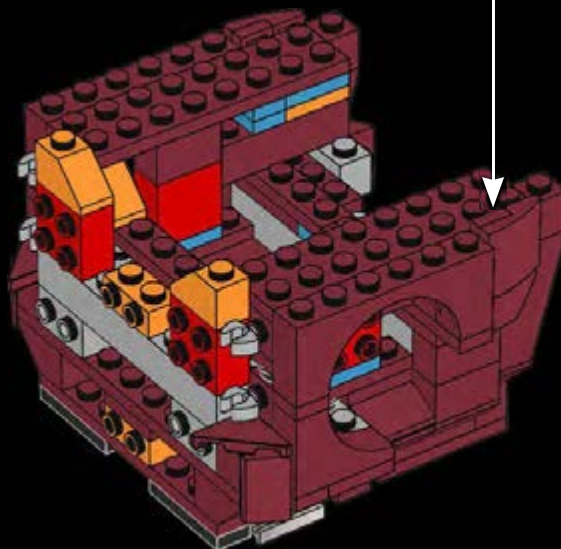
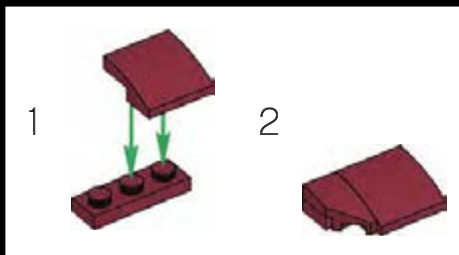
38

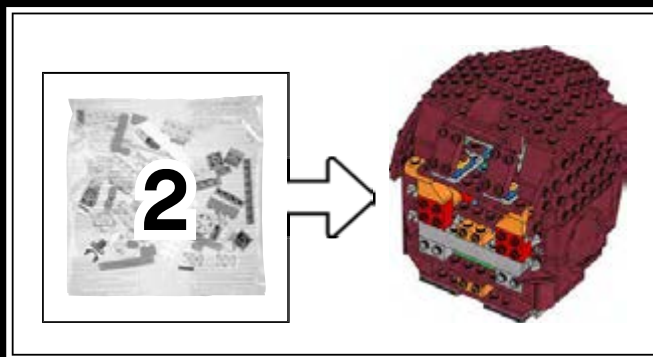


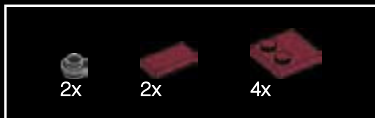
36



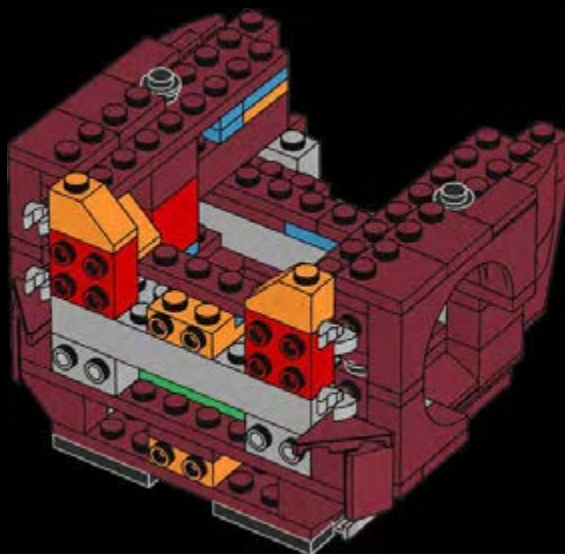
39

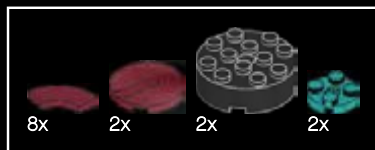




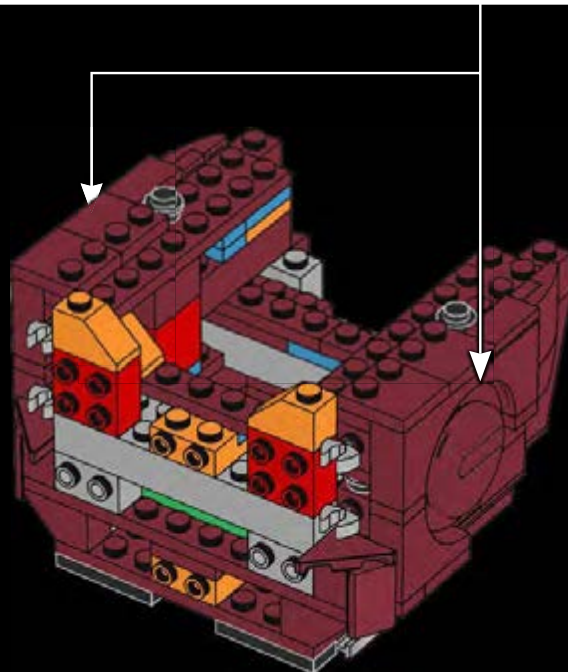
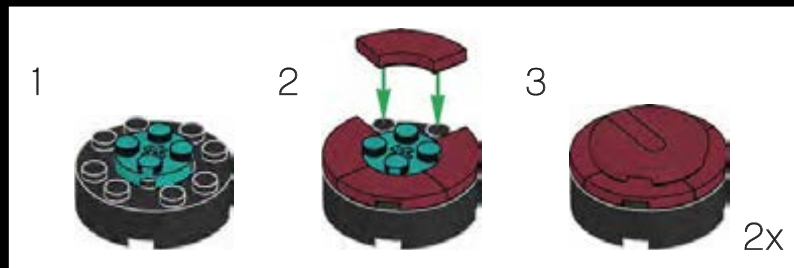


40

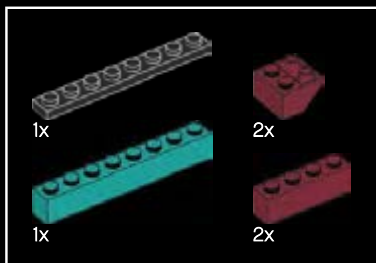




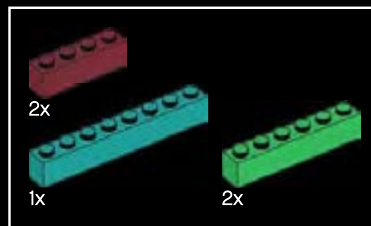
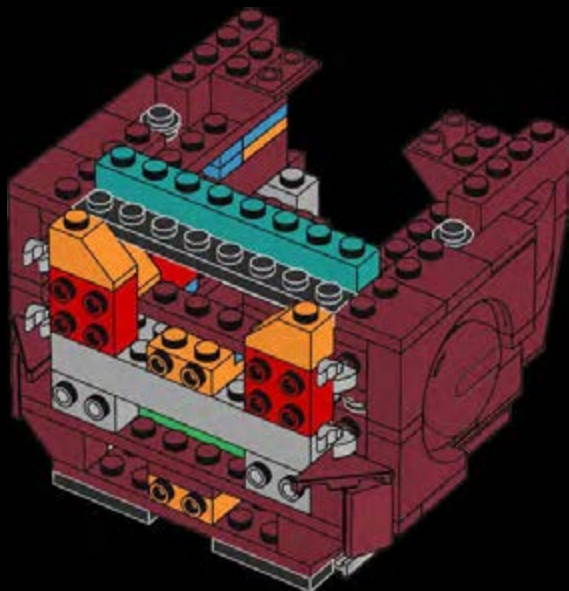
41



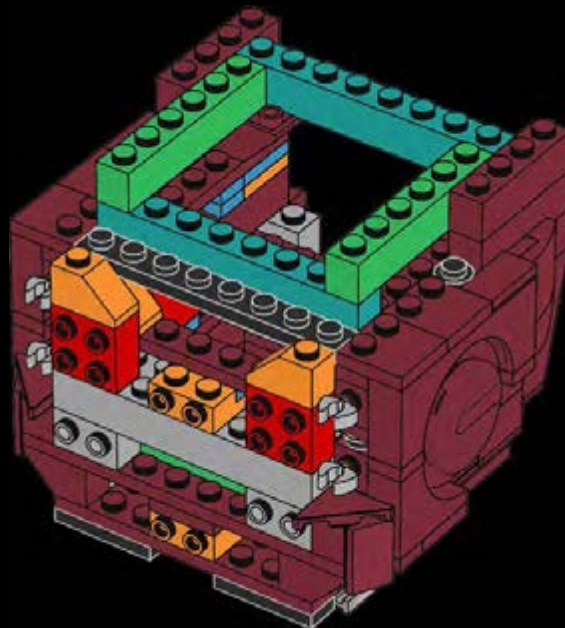
40



42

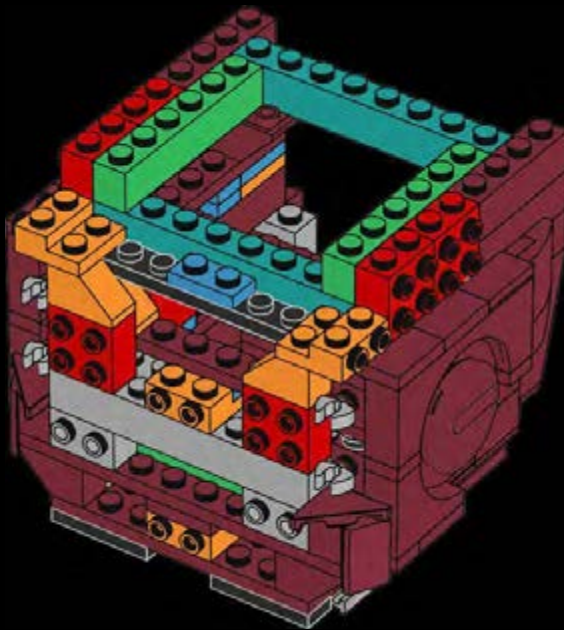


43





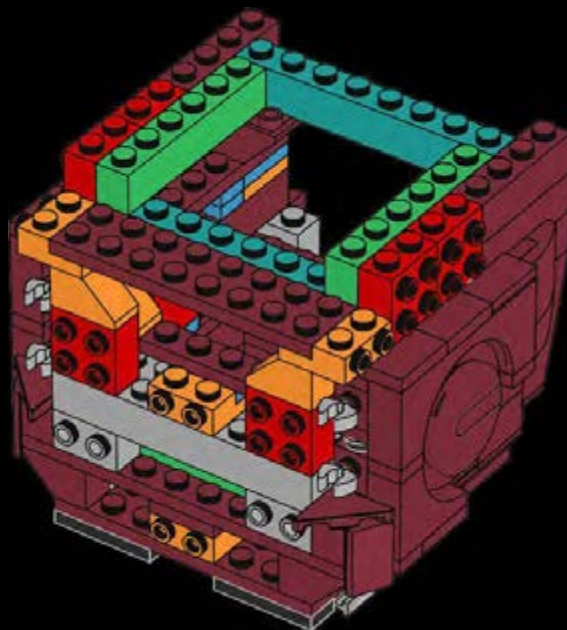
44

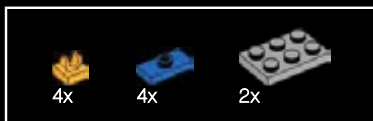


42

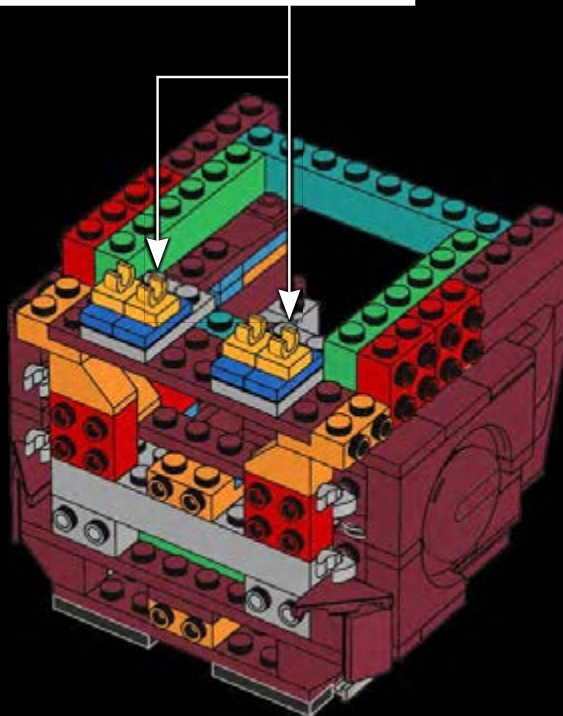


45

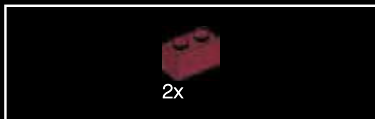




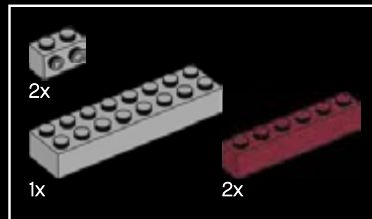
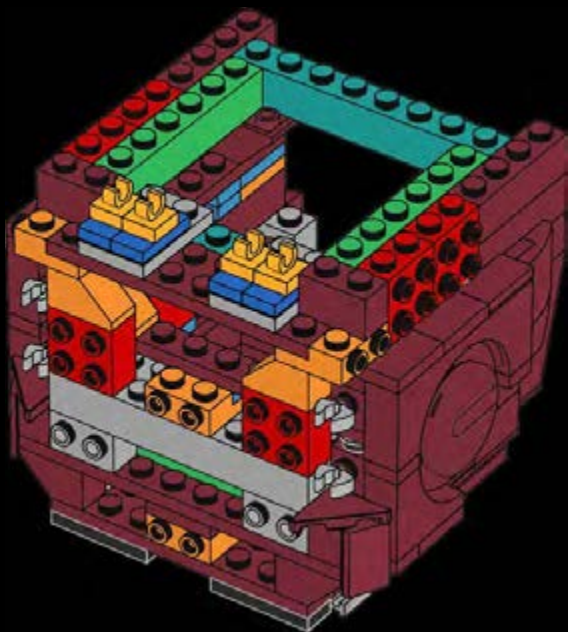
46



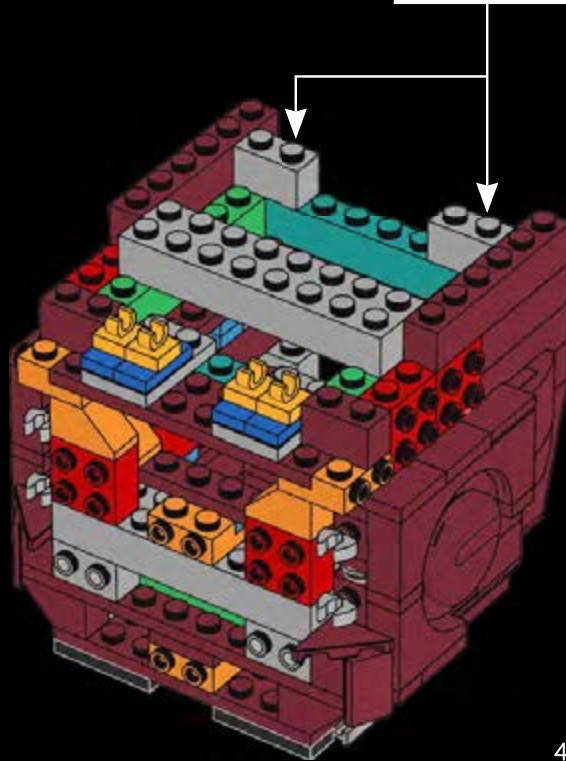
44



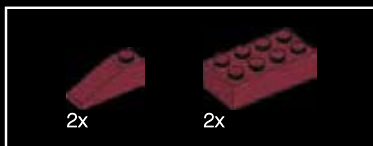
47



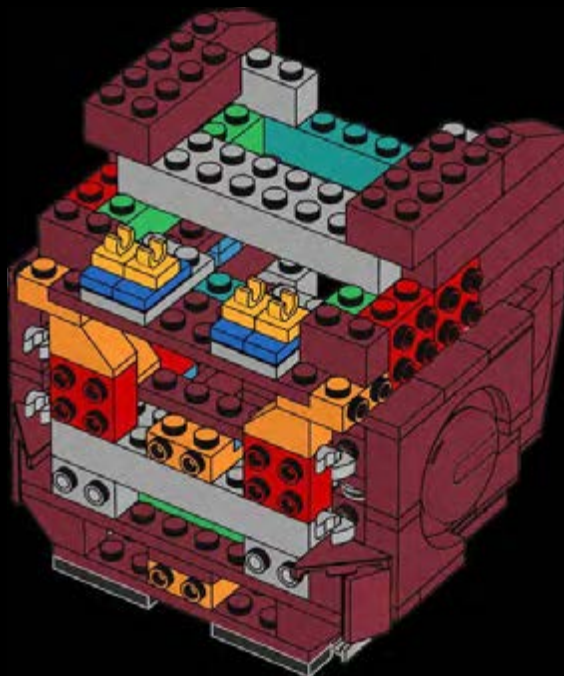
48



45



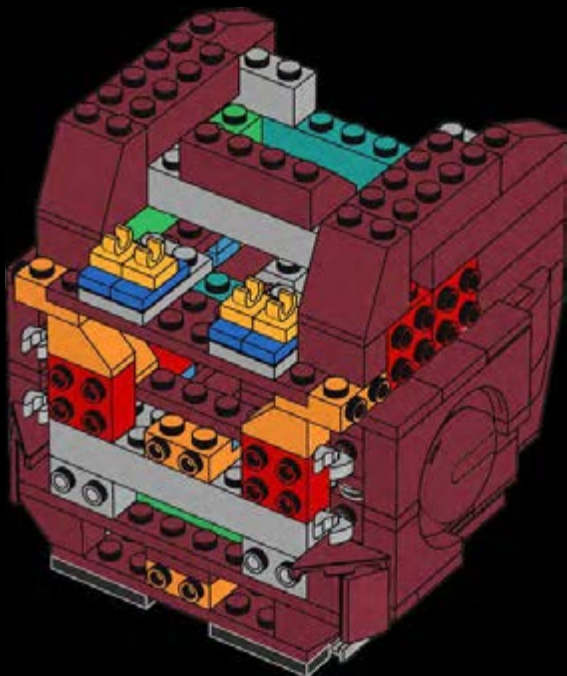
49



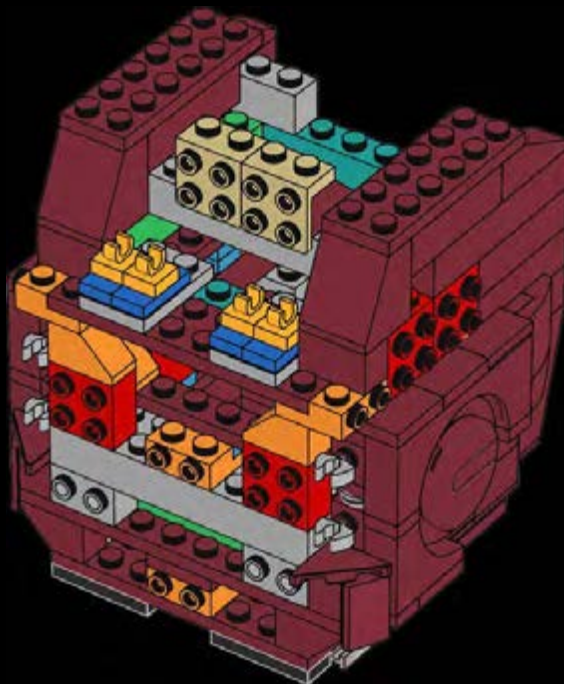
46



50

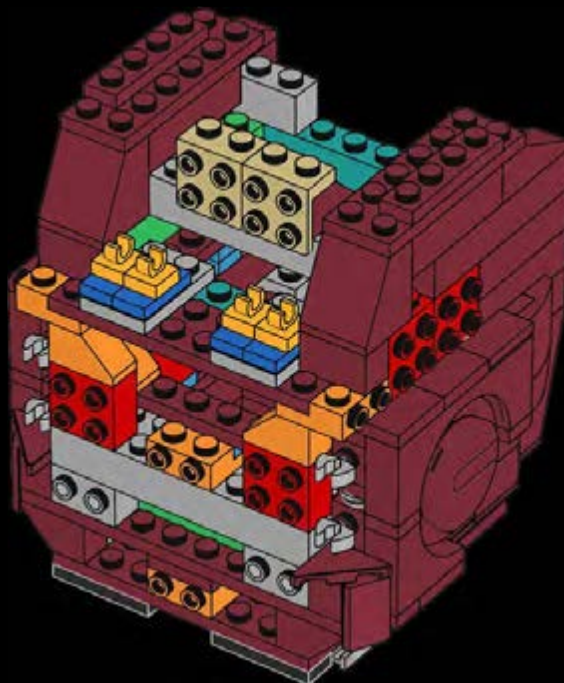


51

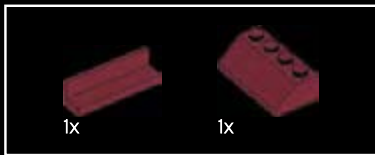




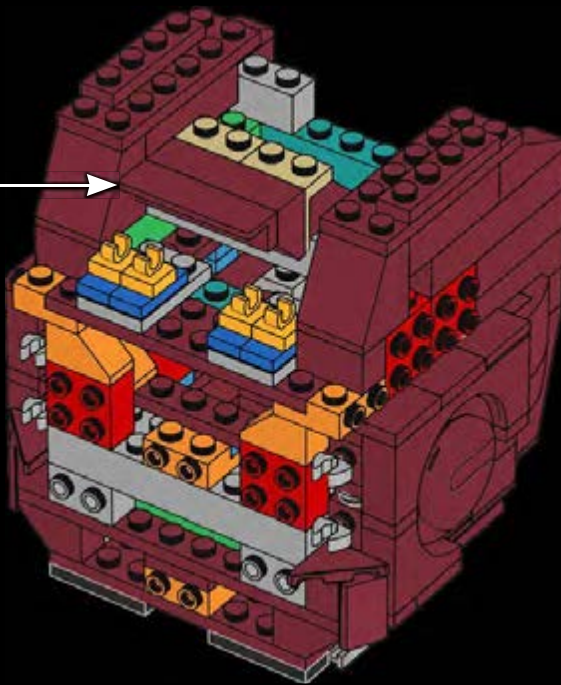
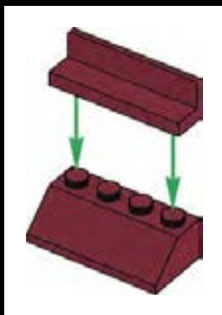
52



48

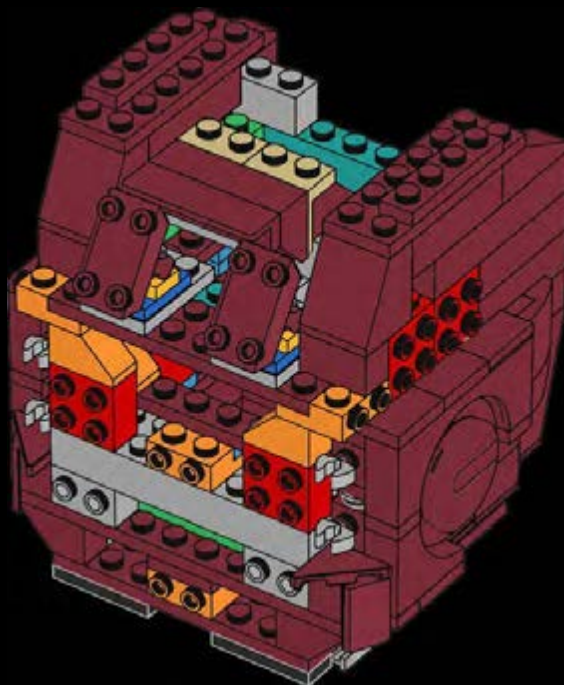


53

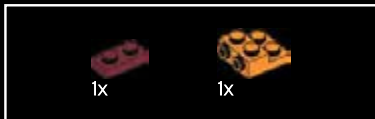




54



50



55

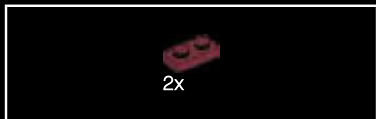


56



57





58



59



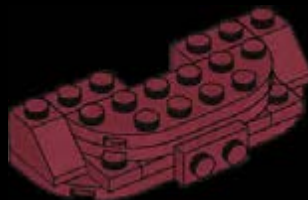
52

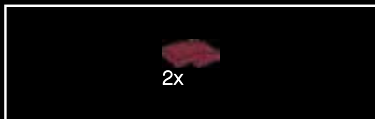


60

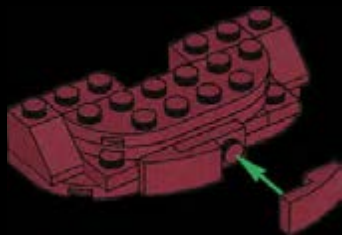


61

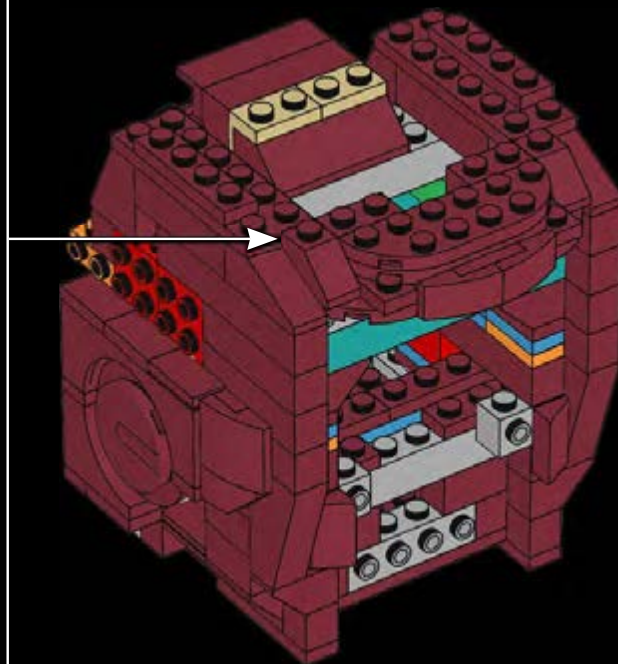




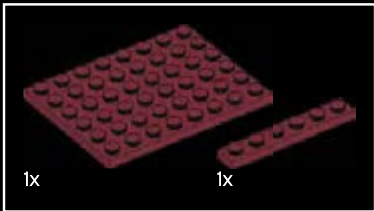
62



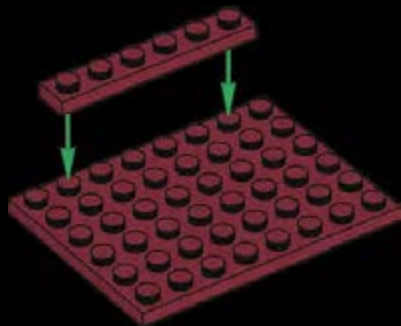
63



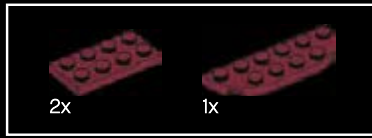
53



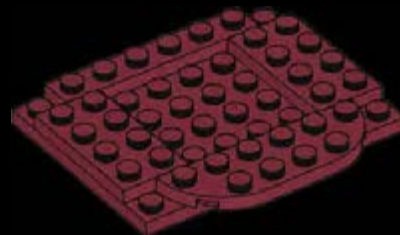
64



54

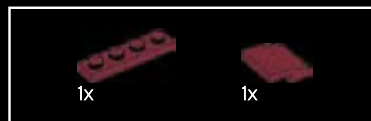
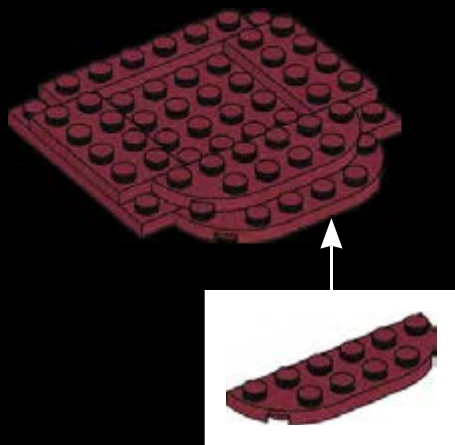


65

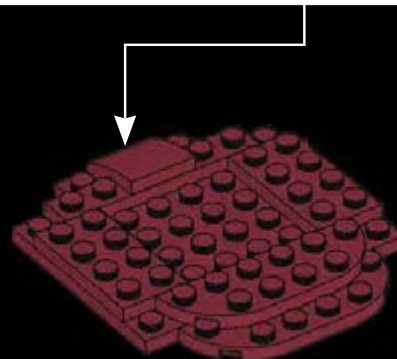
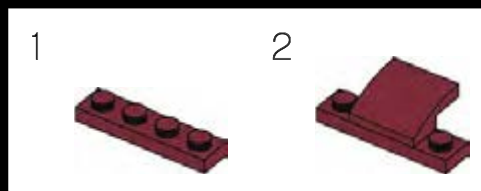


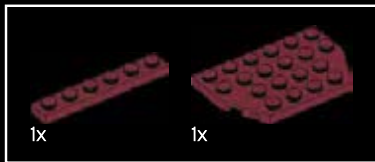


66



67

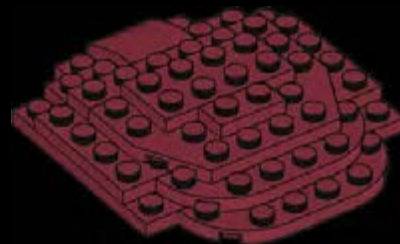




68

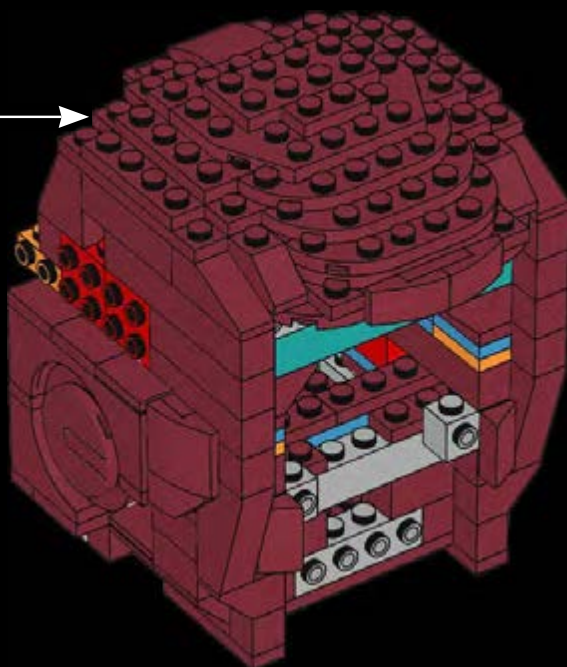


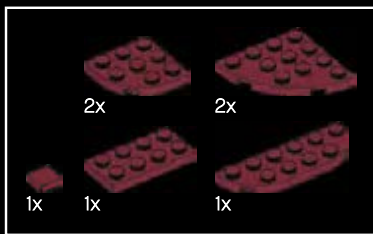
69



56

70



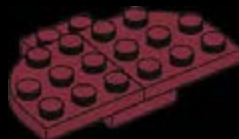


71

1



2

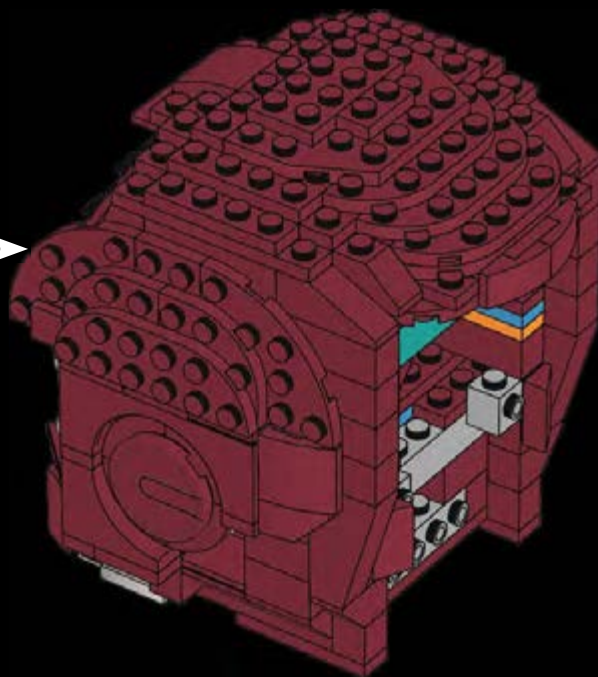


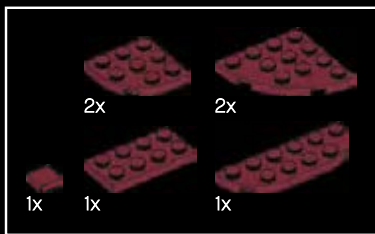
3



58

4



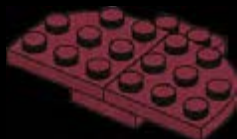


72

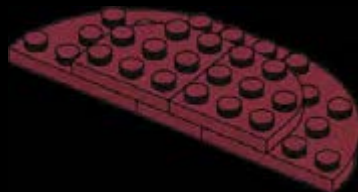
1



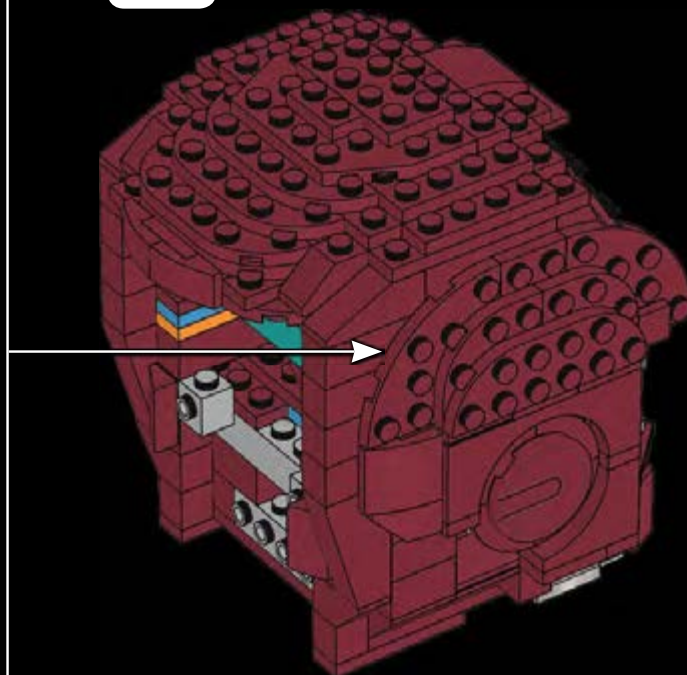
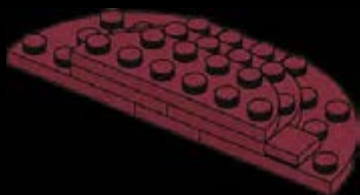
2

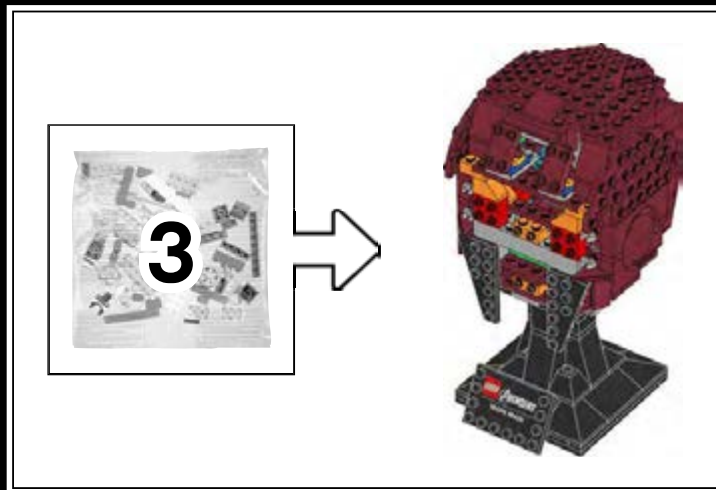


3



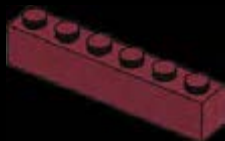
4







73



74





75

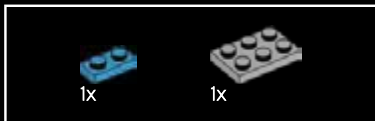


64

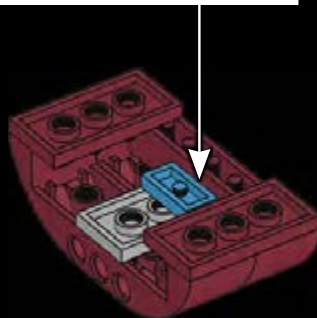


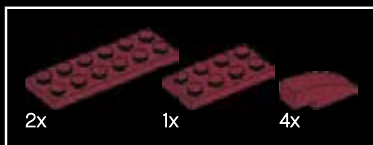
76



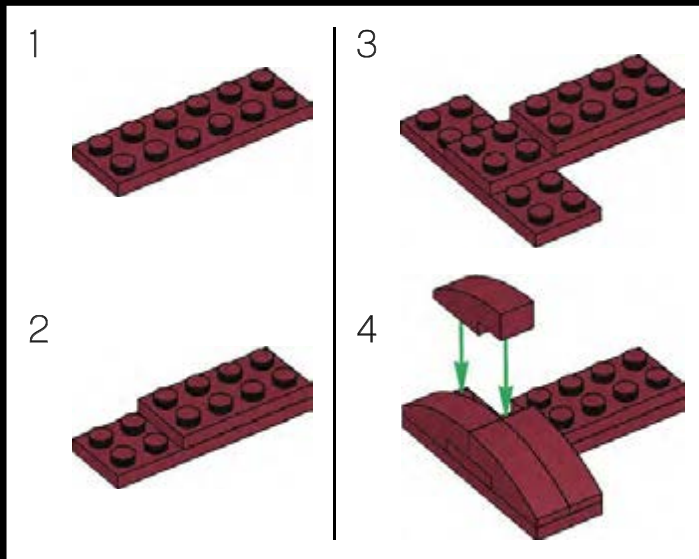


77





78



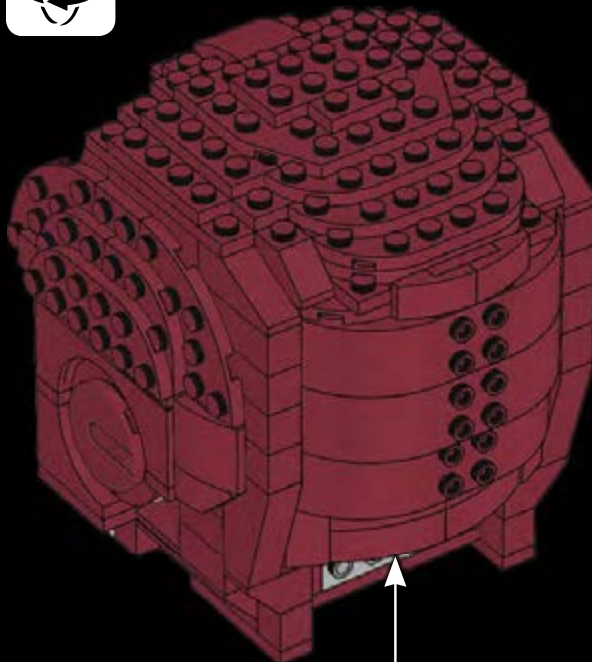
66

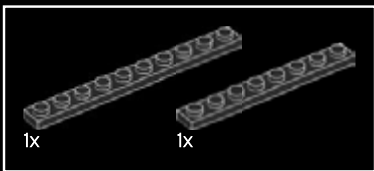
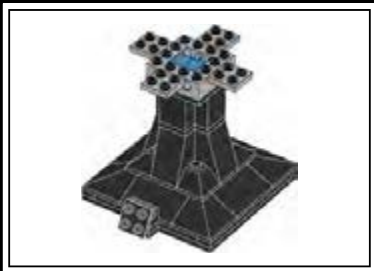


79

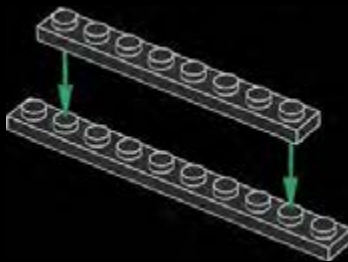


80

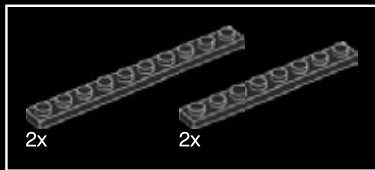




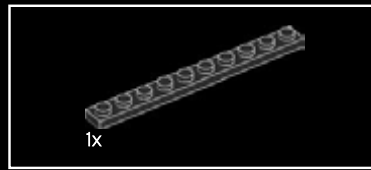
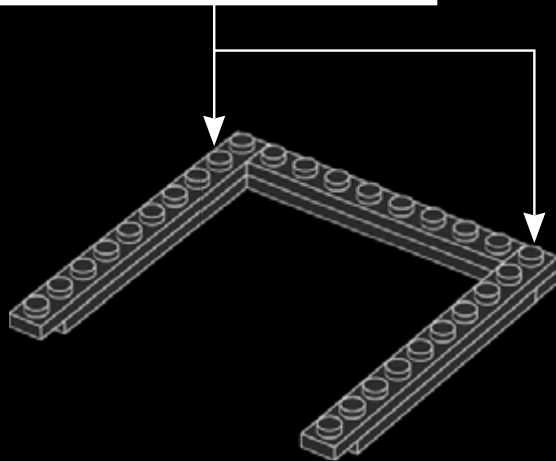
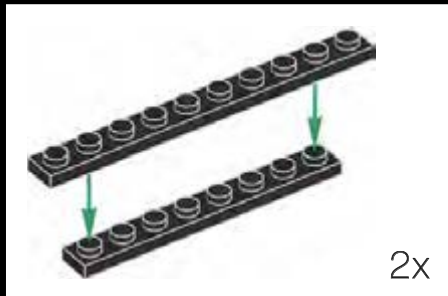
81



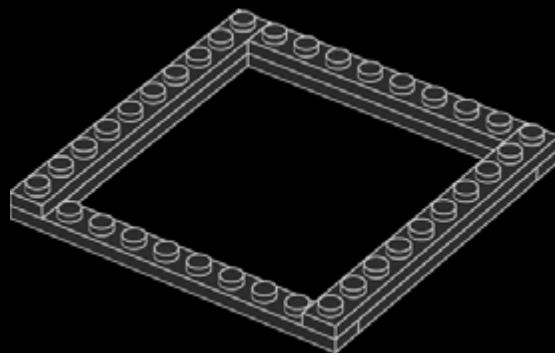
68



82

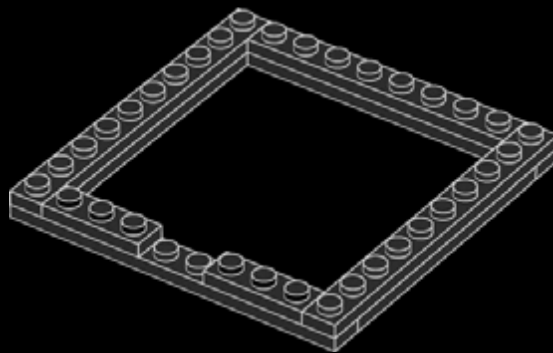


83





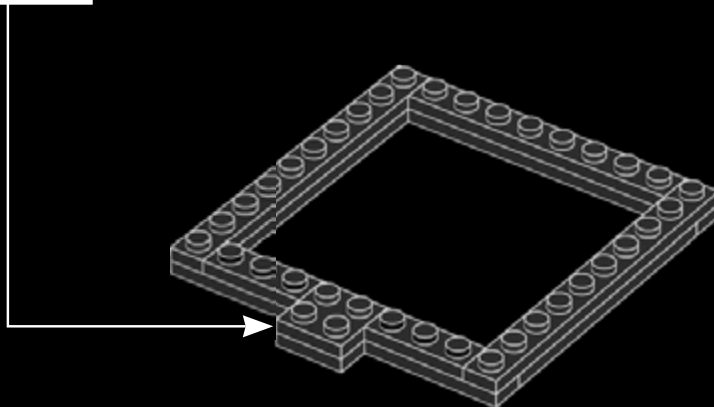
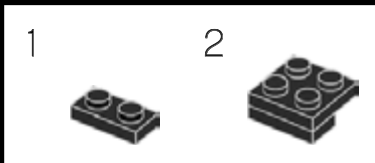
84

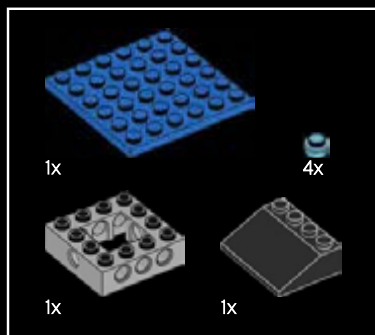


70



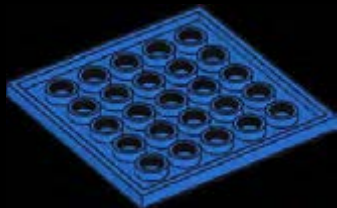
85





86

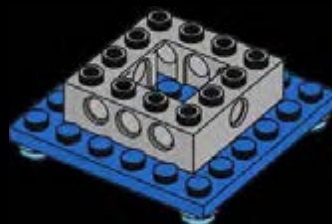
1



2

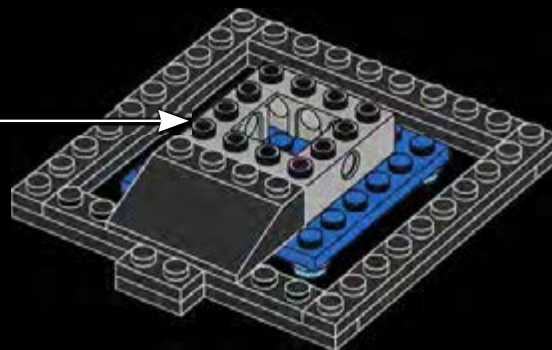


3



72

4





87

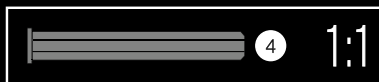
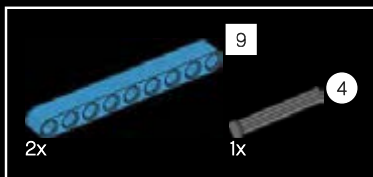


74

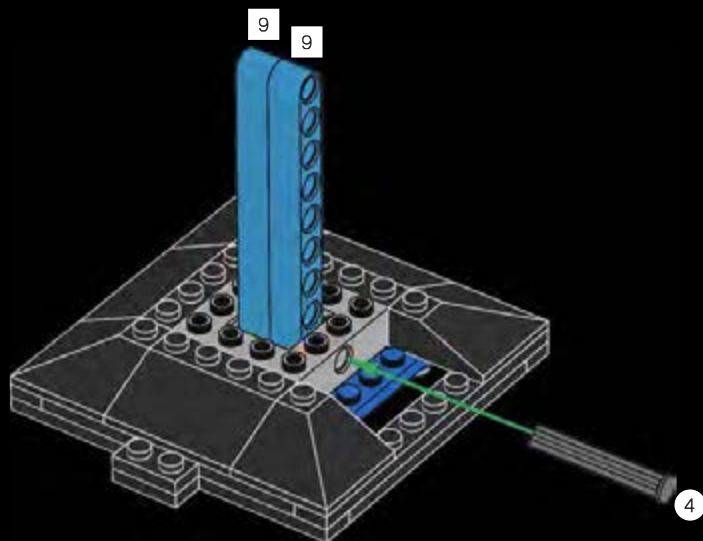


88

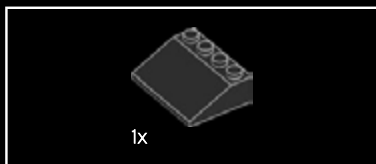




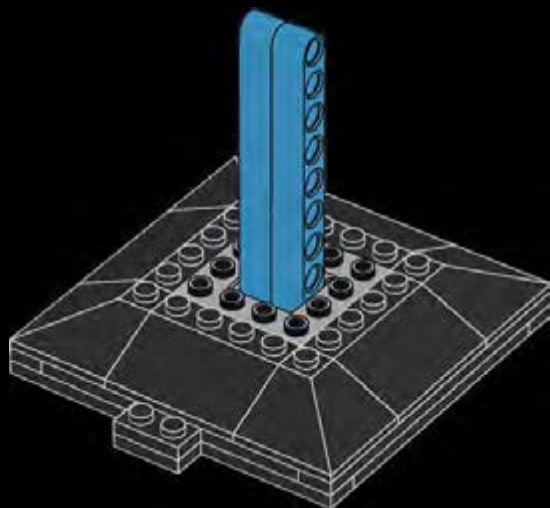
89



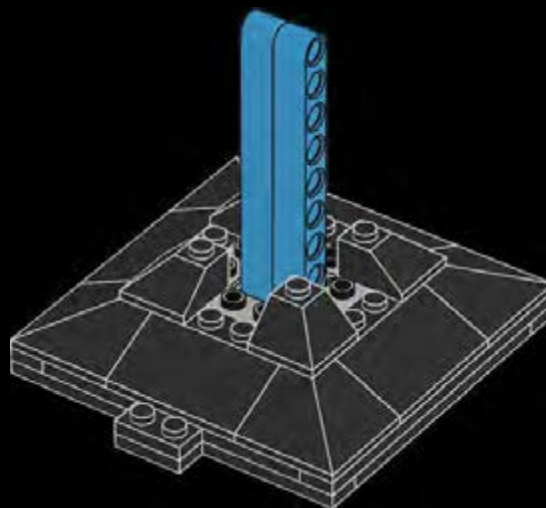
76



90

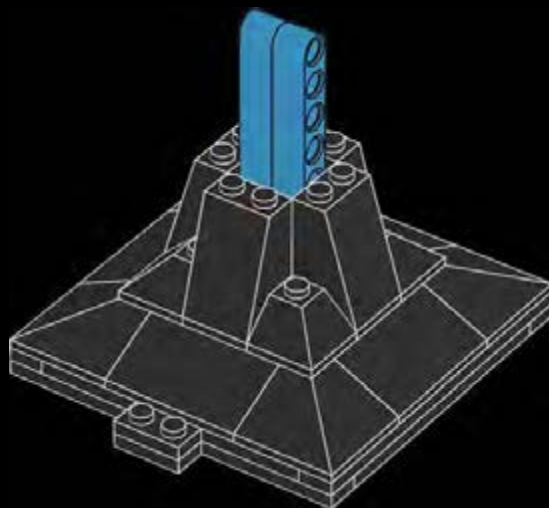


91





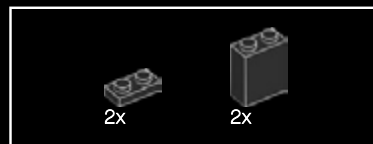
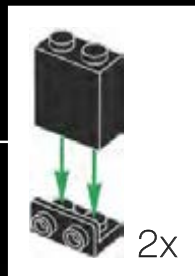
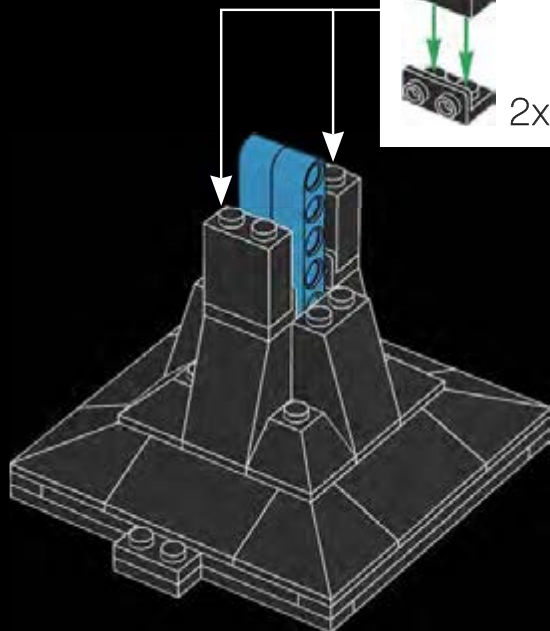
92



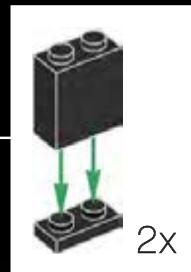
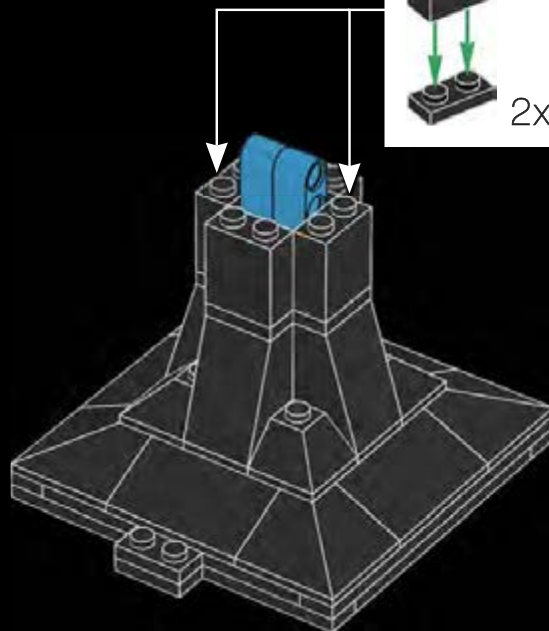
78

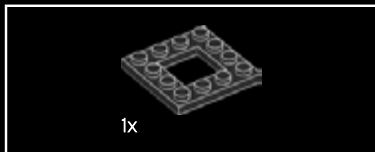


93

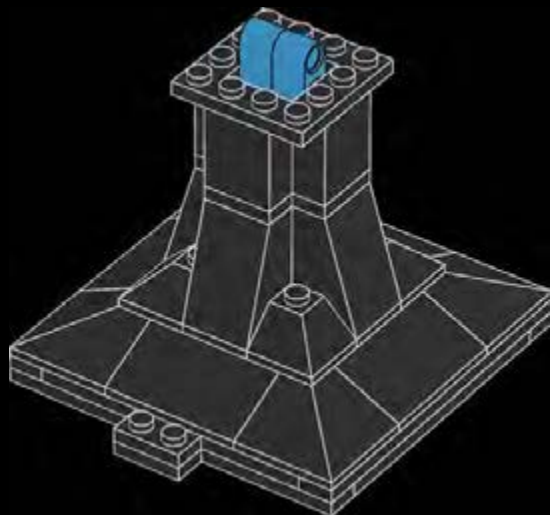


94

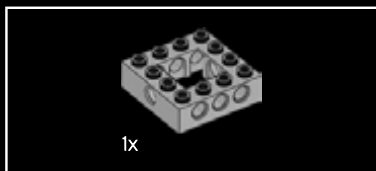




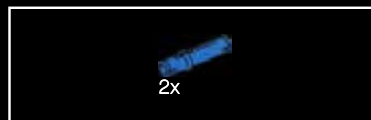
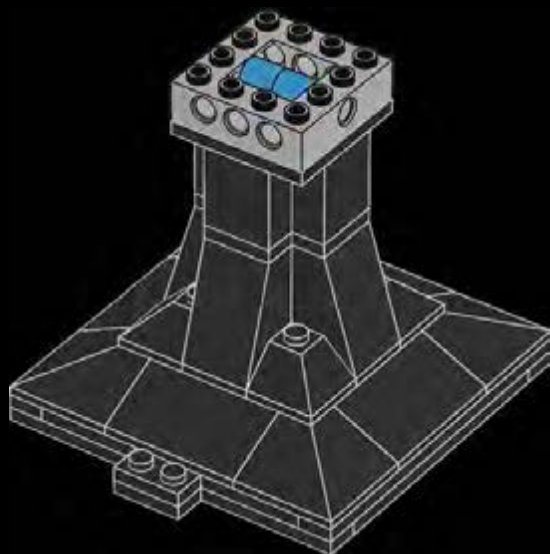
95



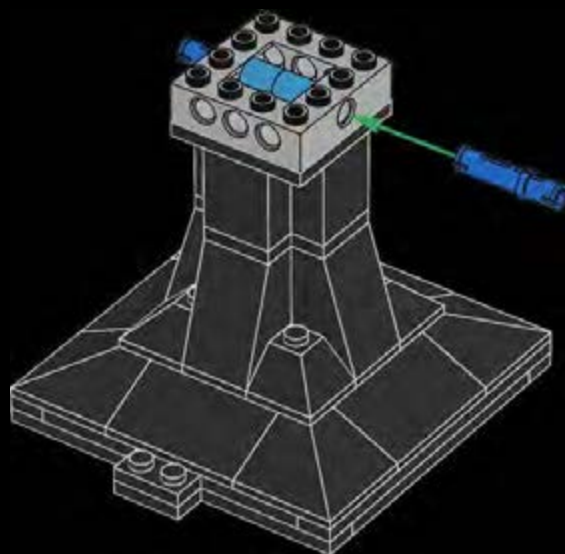
80



96



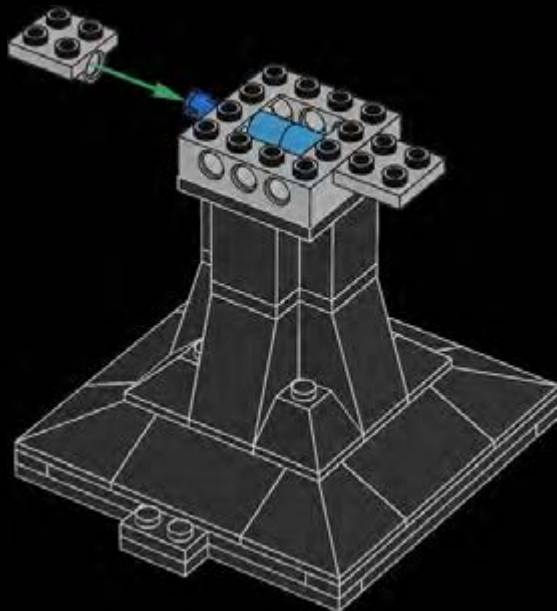
97



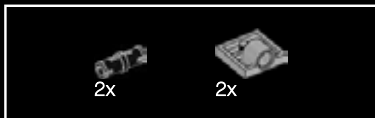
81



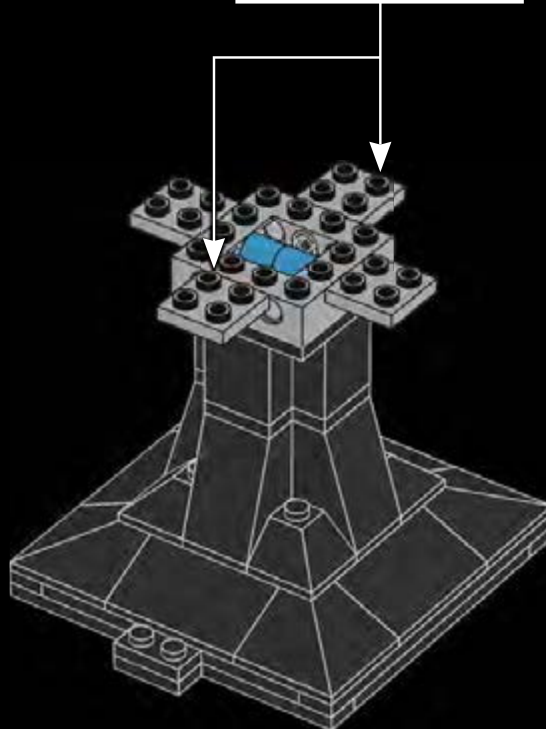
98



82

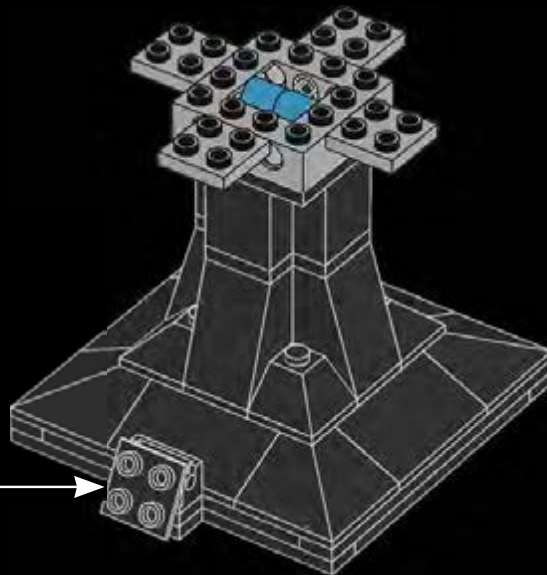


99



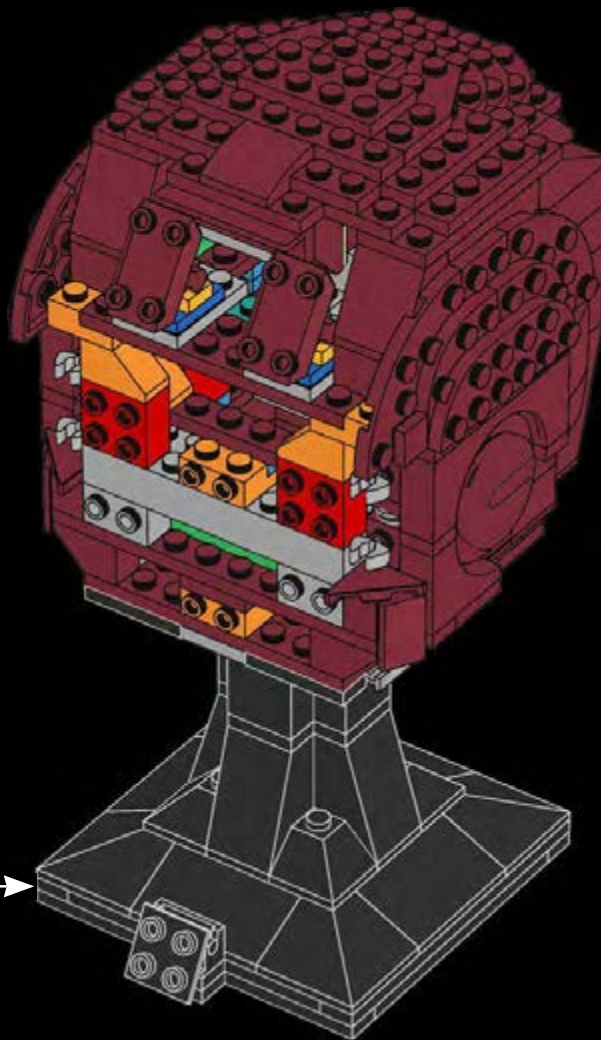


100



84

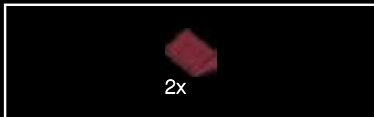
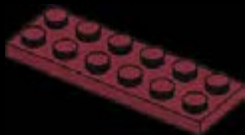
101





1x

102



2x

103



2x

104

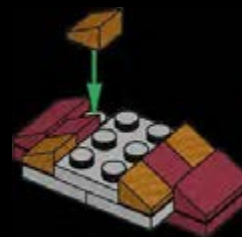


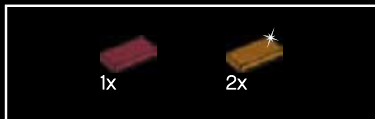


105

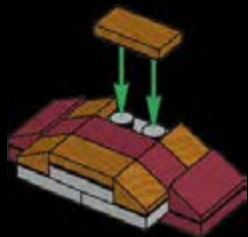


106

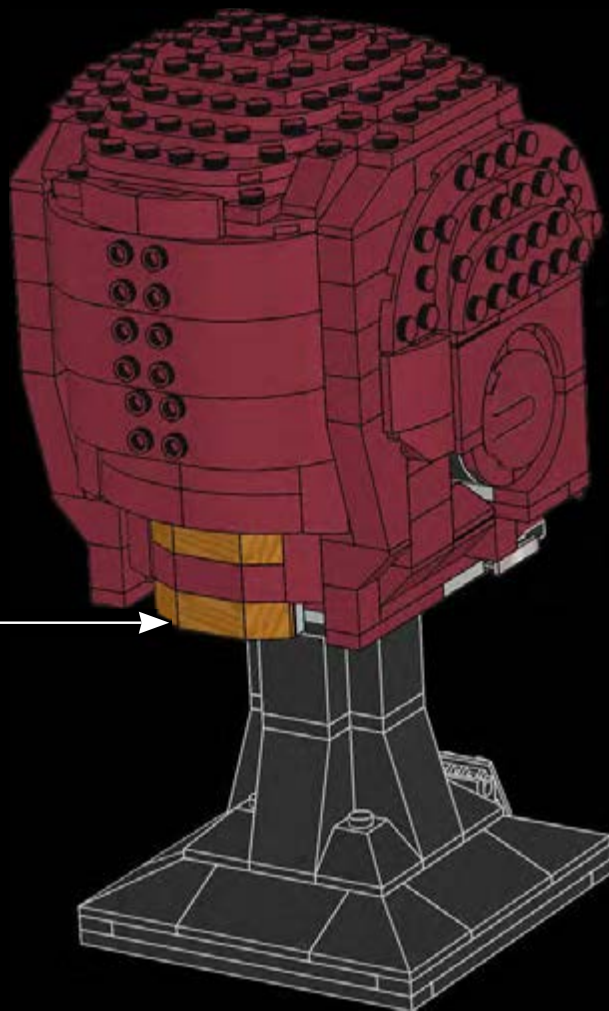


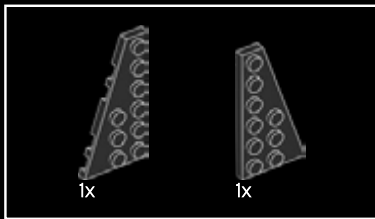


107

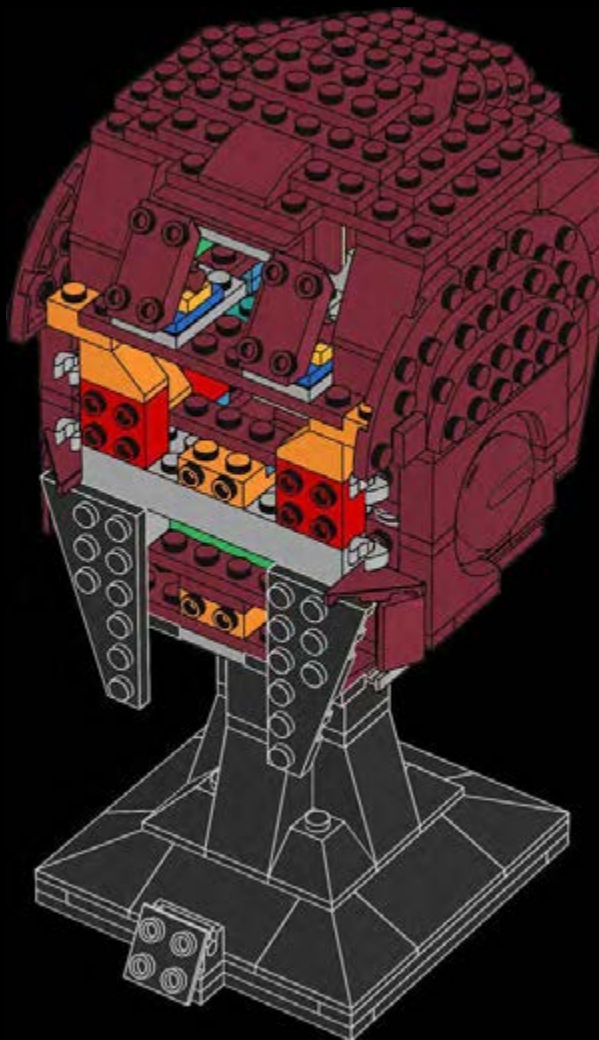


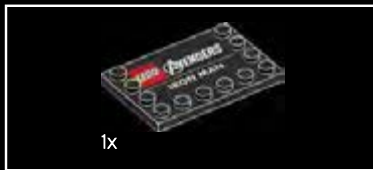
108



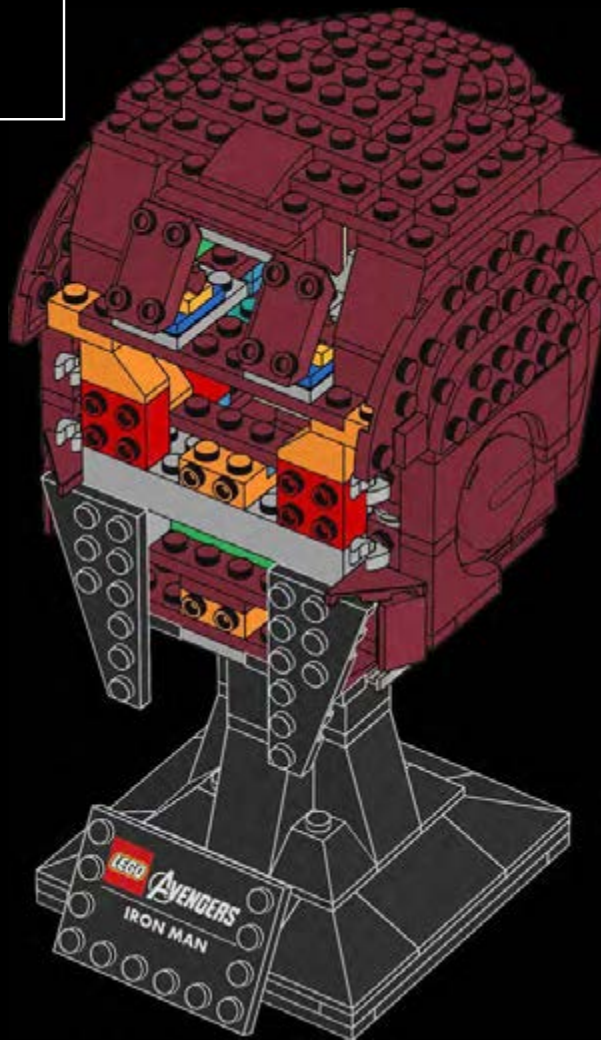


109

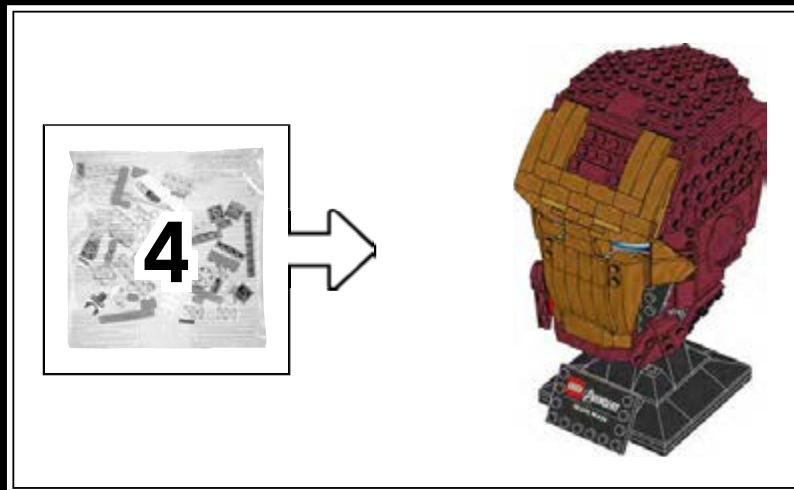


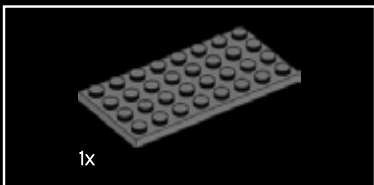


110



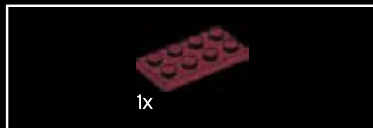
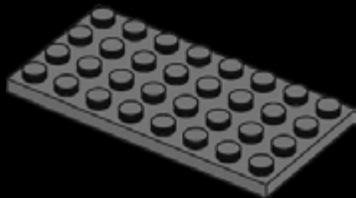
90





1x

111



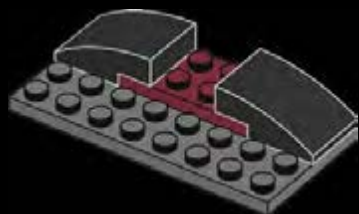
1x

112

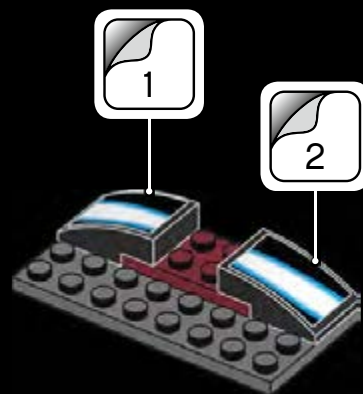


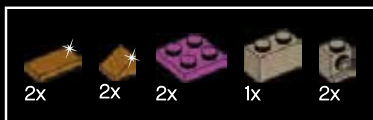


113

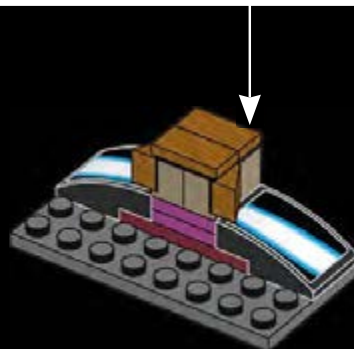
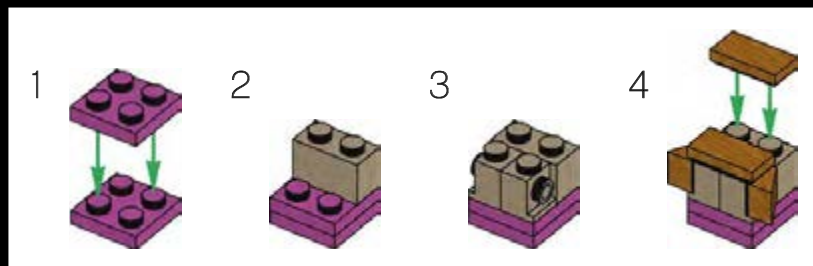


114

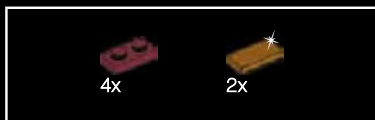




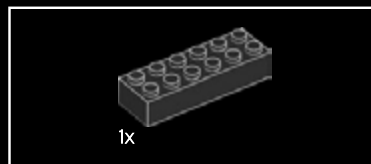
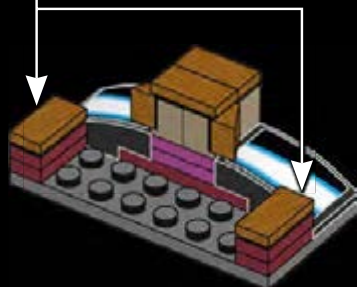
115



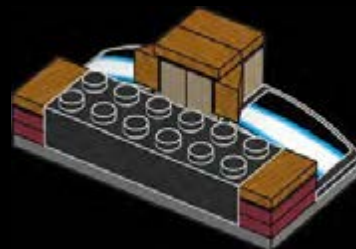
94

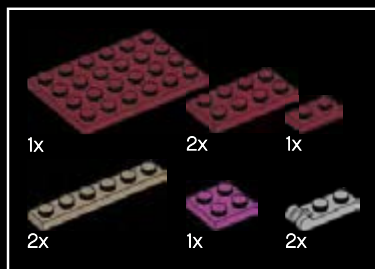


116

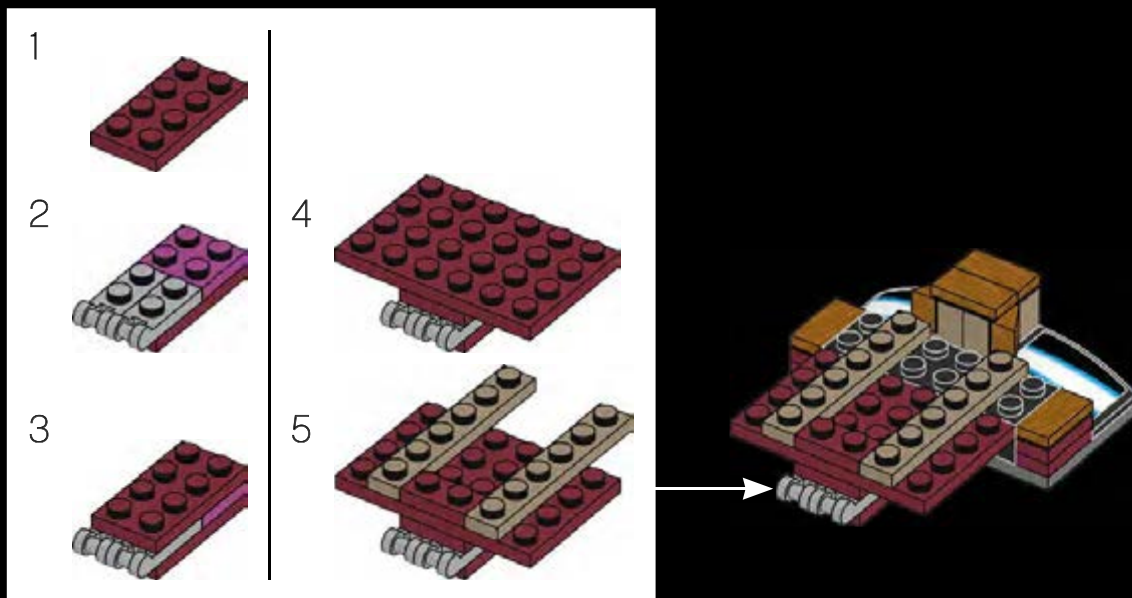


117





118

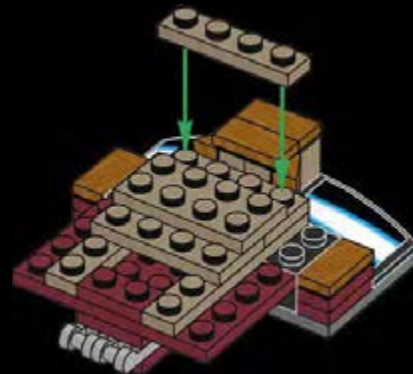




119



120

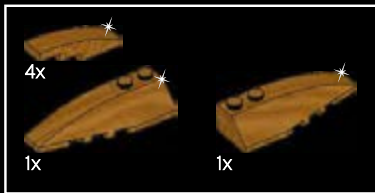




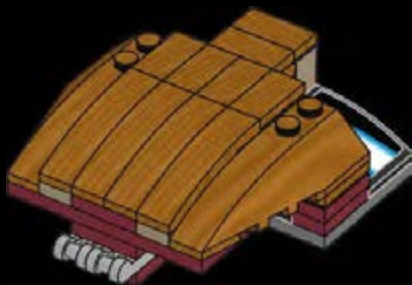
121

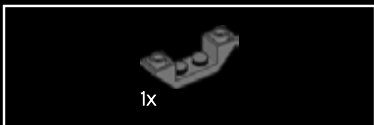


98

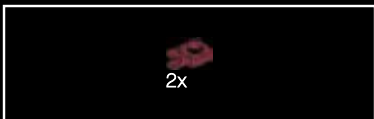


122





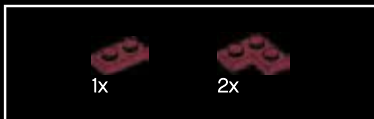
123



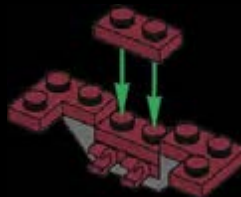
124

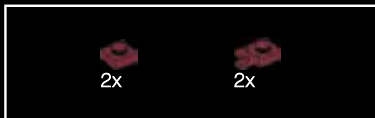


125



126





127



128



129

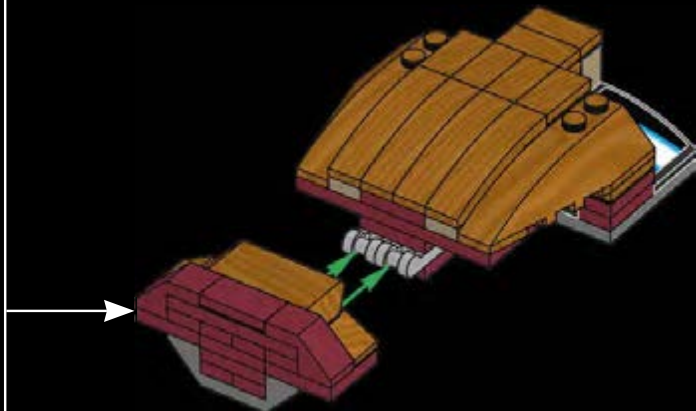




130

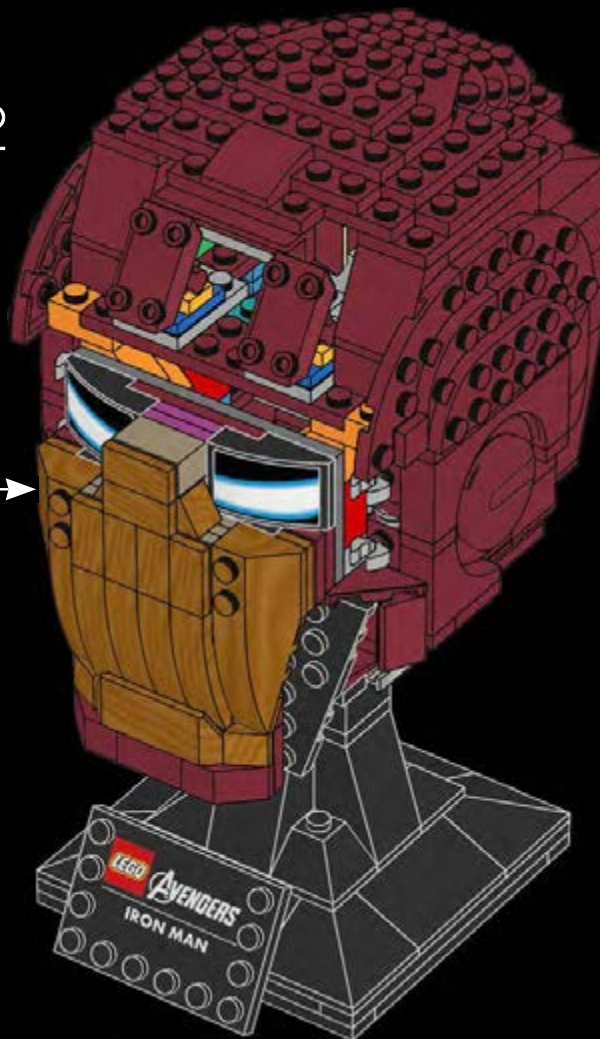


131



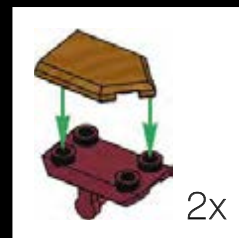
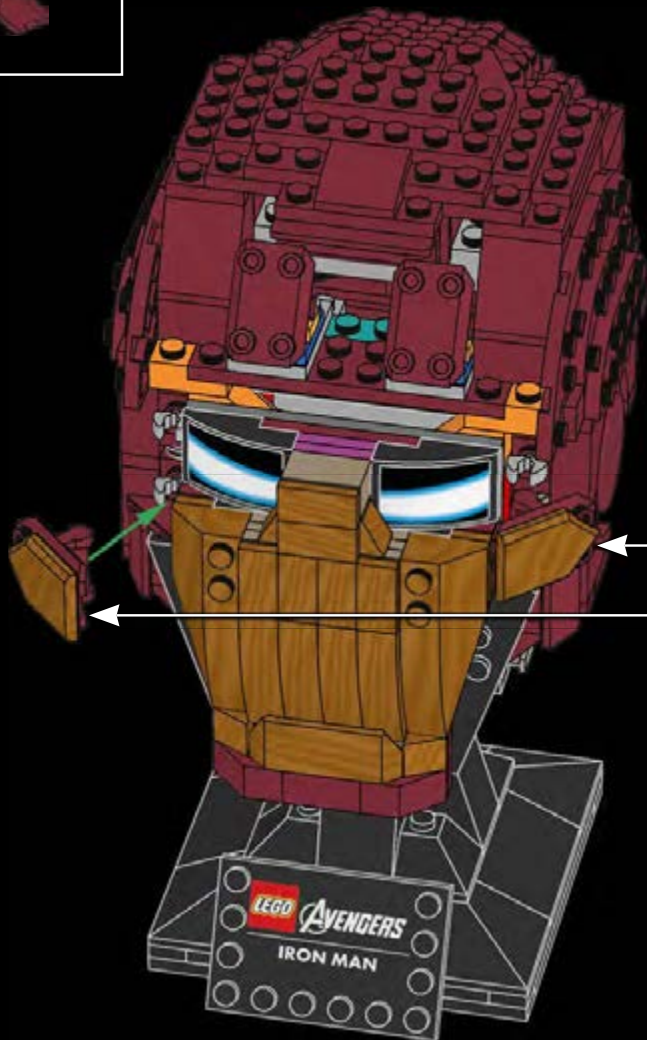
102

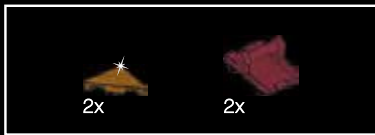
132





133





134





1x

135

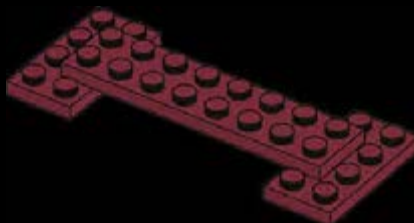


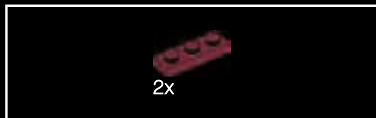
106



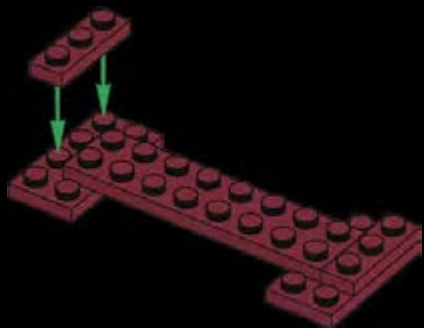
2x

136

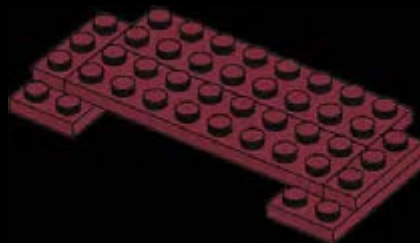




137

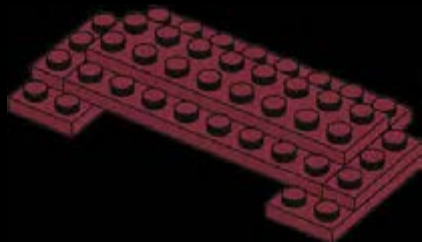


138

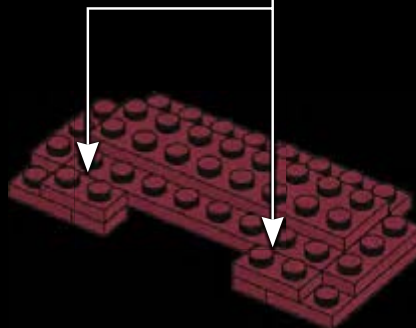
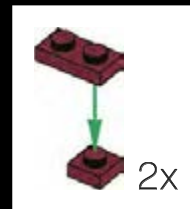


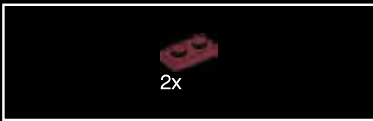


139

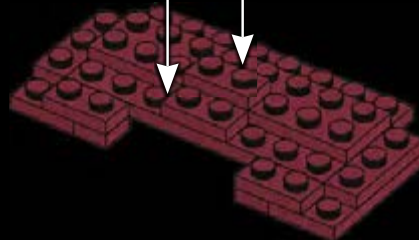


140



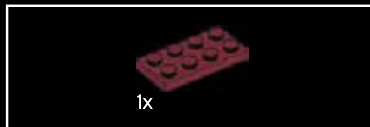
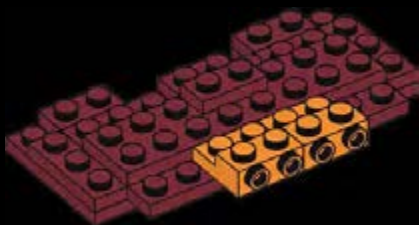


141





142

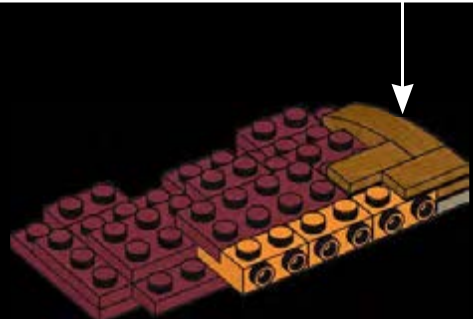


143



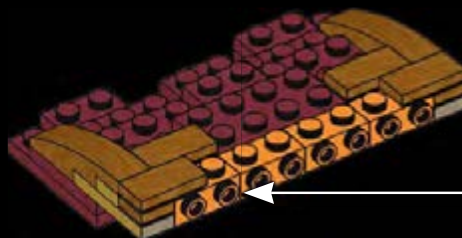


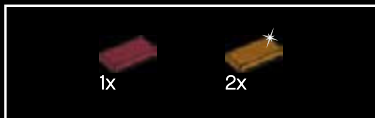
144



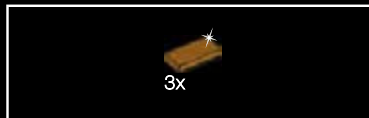


145





146

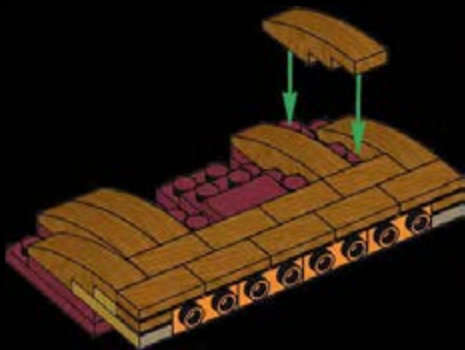


147

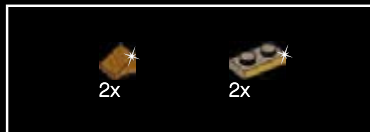




148



114



149



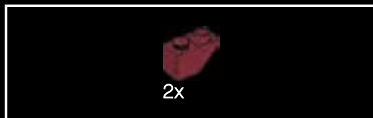


150

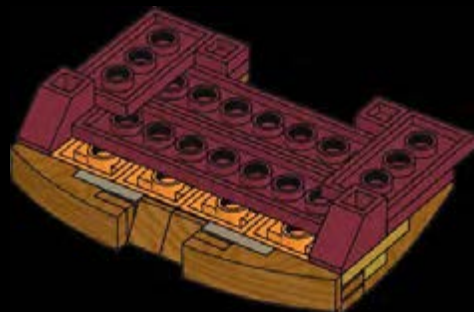


151



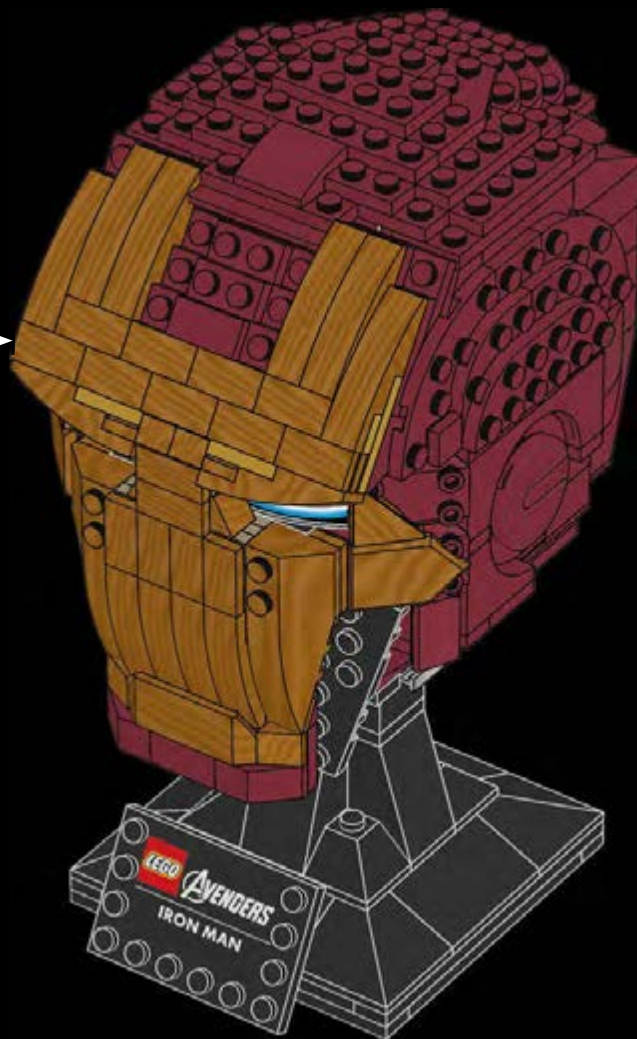


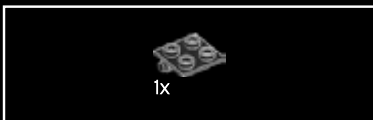
152



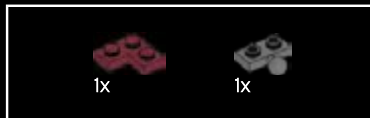
116

153





154



155

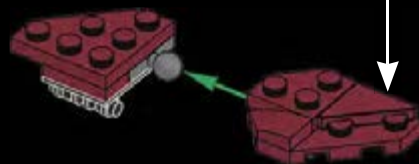


156



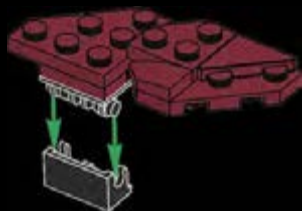


157



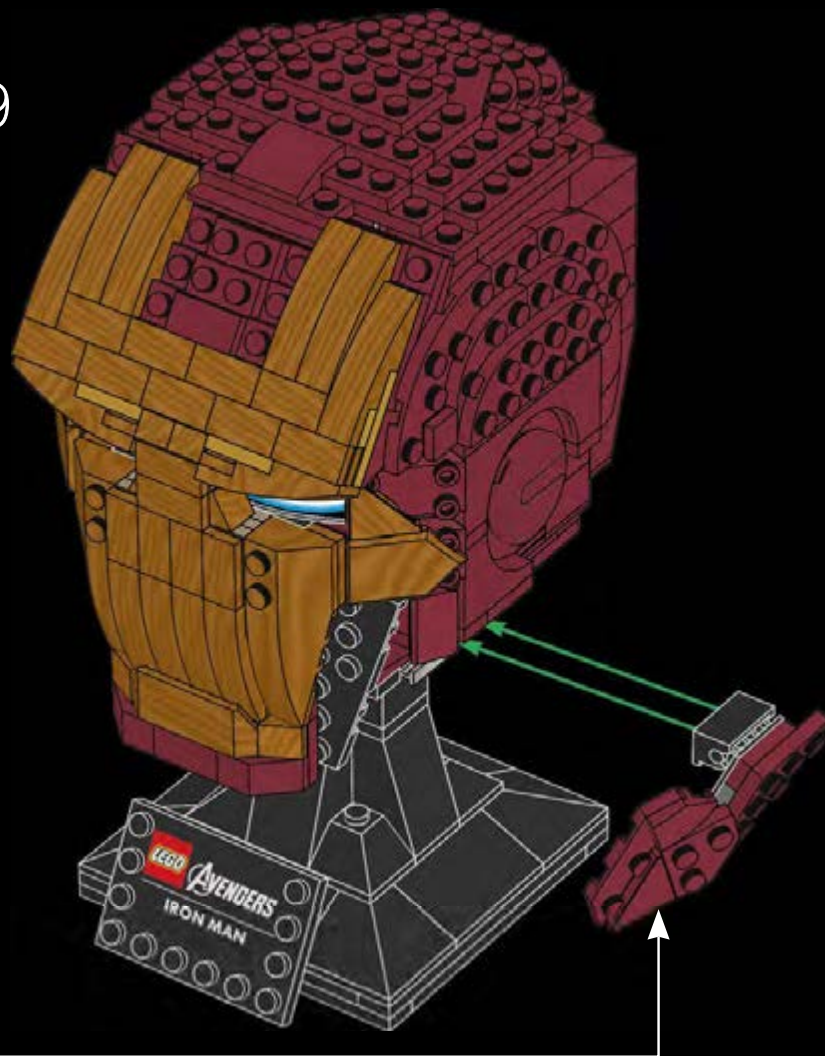


158



120

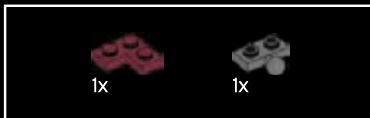
159



121



160



161

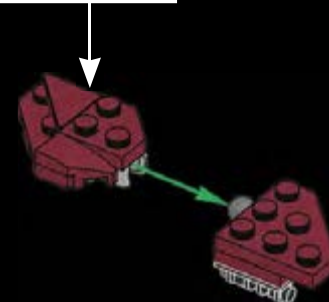
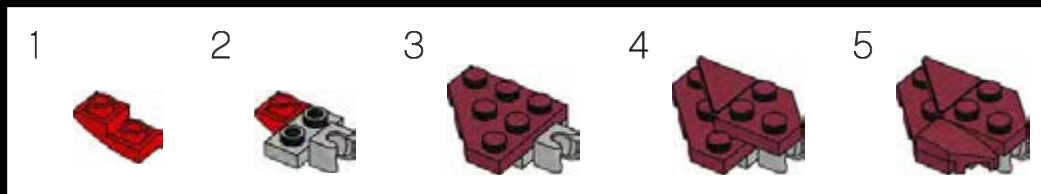


162





163



123

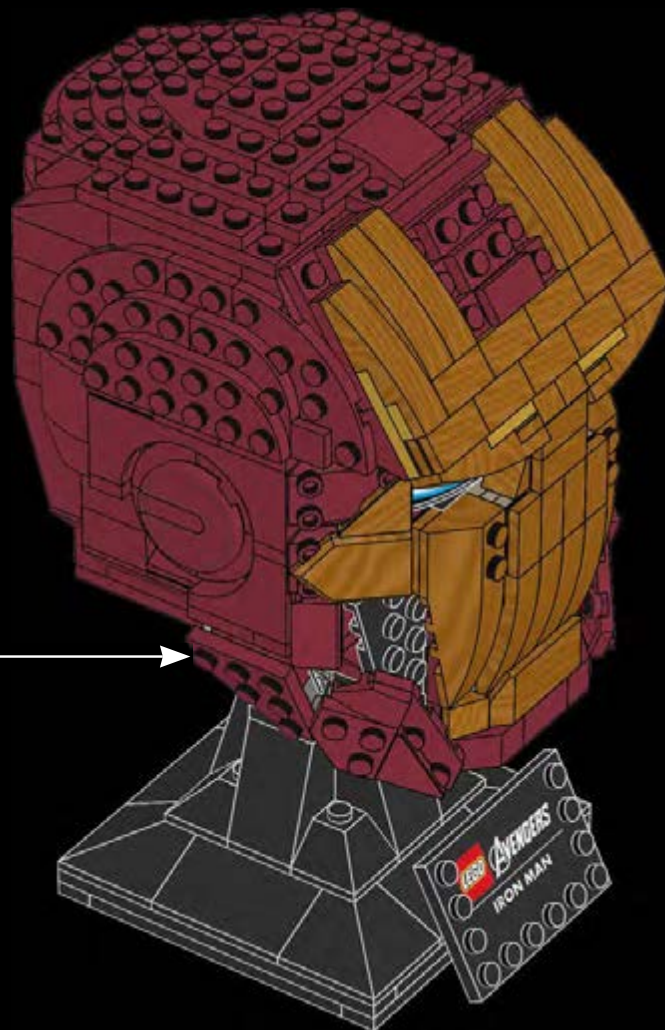


164



124

165





FEEDBACK AND WIN



FEEDBACK AND WIN

Your feedback will help shape the future development of this product series.

Please visit:

FEEDBACK UND GEWINNEN

Dein Feedback trägt zur Weiterentwicklung dieser Produktreihe bei.

Geh auf:

COMMENTEZ ET GAGNEZ

Vos commentaires nous aideront à concevoir les futurs produits de cette gamme.

Rendez-vous sur :

COMENTA Y GANA

Tu opinión nos ayudará a dar forma al desarrollo de esta serie de productos en el futuro.

Visita:

反馈有奖

您的反馈将有助于我们在今后改进本系列产品。

请访问：

[LEGO.com/productfeedback](https://tm.by)

By completing, you will automatically enter a drawing to win a LEGO® set.

Terms & Conditions apply.

Durch Ausfüllen nimmst du automatisch an der Verlosung eines LEGO® Preises teil.

Es gelten die Teilnahmebedingungen.

En envoyant vos commentaires, vous serez automatiquement inscrit(e) à un tirage au sort qui vous permettra de remporter un prix LEGO®.

Offre soumise à conditions.

Al contestar, participarás automáticamente en el sorteo y podrás ganar un set LEGO®.

Sujeto a Términos y Condiciones.

完成我们的反馈调查，即可自动进入抽奖环节，赢取乐高®套装。

适用《条款和条件》。

2x 6273590
1x 4521914
2x 6311491
2x 6311490
2x 6311492
1x 4626904
3x 4267874
2x 6015424
2x 6186398
8x 6135130
6x 4121967
11x 6289113
2x 6117975

126

6x 614126
2x 4121715
4x 4618852
3x 393726
3x 302326
2x 6020193
1x 4283047
1x 4283046
1x 302226
4x 4189064
4x 6007896

3x 4124096
4x 362326
2x 6147790
2x 4558957
4x 367526
4x 329726
1x 6058118
1x 4181144
4x 346026
1x 6311477
4x 447726

2x 6219658
2x 4550169
2x 4531415
8x 4539114
8x 6212007
10x 4541376
4x 6253170
2x 6219657
8x 6083977
2x 6210310
6x 4590811
5x 4539090
15x 4539097
12x 4539102

2x 6267498
2x 6173168
2x 4541526
2x 6267413
4x 6288635
4x 6214309
1x 4585479
3x 6107758
2x 4625281
6x 4585751
6x 6052917
8x 6172632
6x 6220561

2x 6311479
6x 4539076
2x 4650862
2x 6286506
4x 4541546
10x 6052777
6x 4539061
1x 6092665
2x 4541380
6x 6287664
4x 4539064

16x
4539071

2x
6117418

6x
6175589

2x
6267406

6x
4539062

3x
4541528

4x
4613267

7x
4618986

1x
6097447

1x
6020122

3x
6219652

6x
6152321

2x
6037995

1x
6028115

1x
6249819

4x
6092582

2x
4514553

1x
4199519

2x
6210400

2x
6289133

4x
6278156

2x
6043656

8x
6015344

4x
6045988

2x
4515369

8x
4211396

1x
4211636

2x
4211640

3x
6037399

3x
4111844

3x
6109930

4x
62894578

2x
6039479

1x
6083620

1x
6185675

1x
4211061

2x
6132264

4x
6102986

1x
4653970

13x
4653988

2x
6211954

10x
6191668

4x
6264167

19x
6285247

2x
6294551

2x
6316567

1x
6294519

12x
6294504

1x
6310388

1x
6310387

4

9



Customer Service

Kundenservice

Service Consommateurs

Servicio Al Consumidor

LEGO.com/service or dial

1 00800 5346 5555
1 1-800-422-5346

LEGO and the LEGO logo are trademarks of the LEGO Group. ©2020 The LEGO Group.



© MARVEL

6328957



<https://tm.by>
Интернет-магазин TM.by