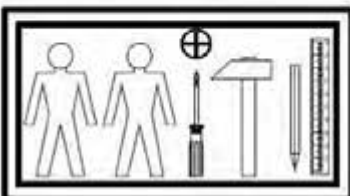
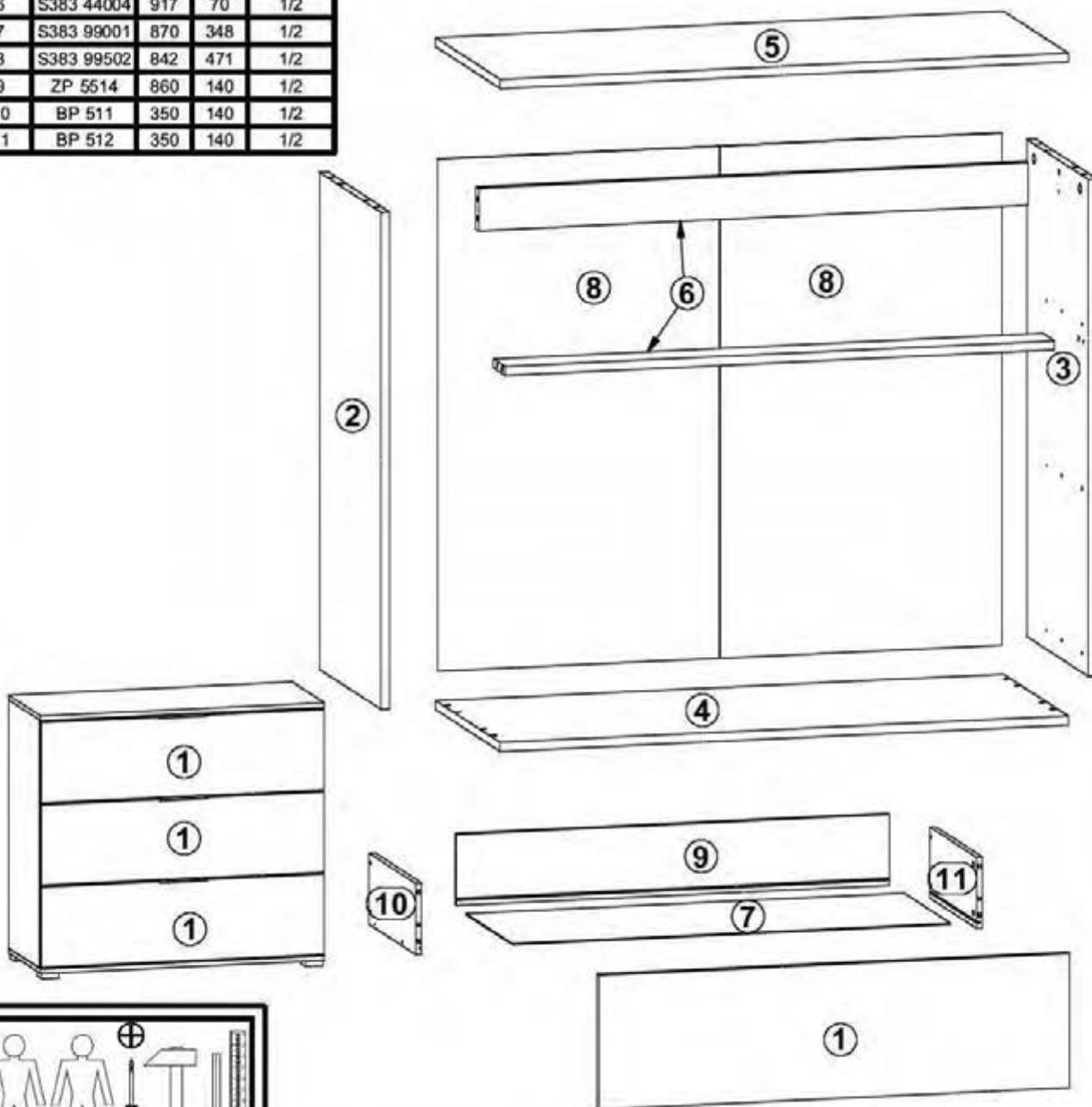


A

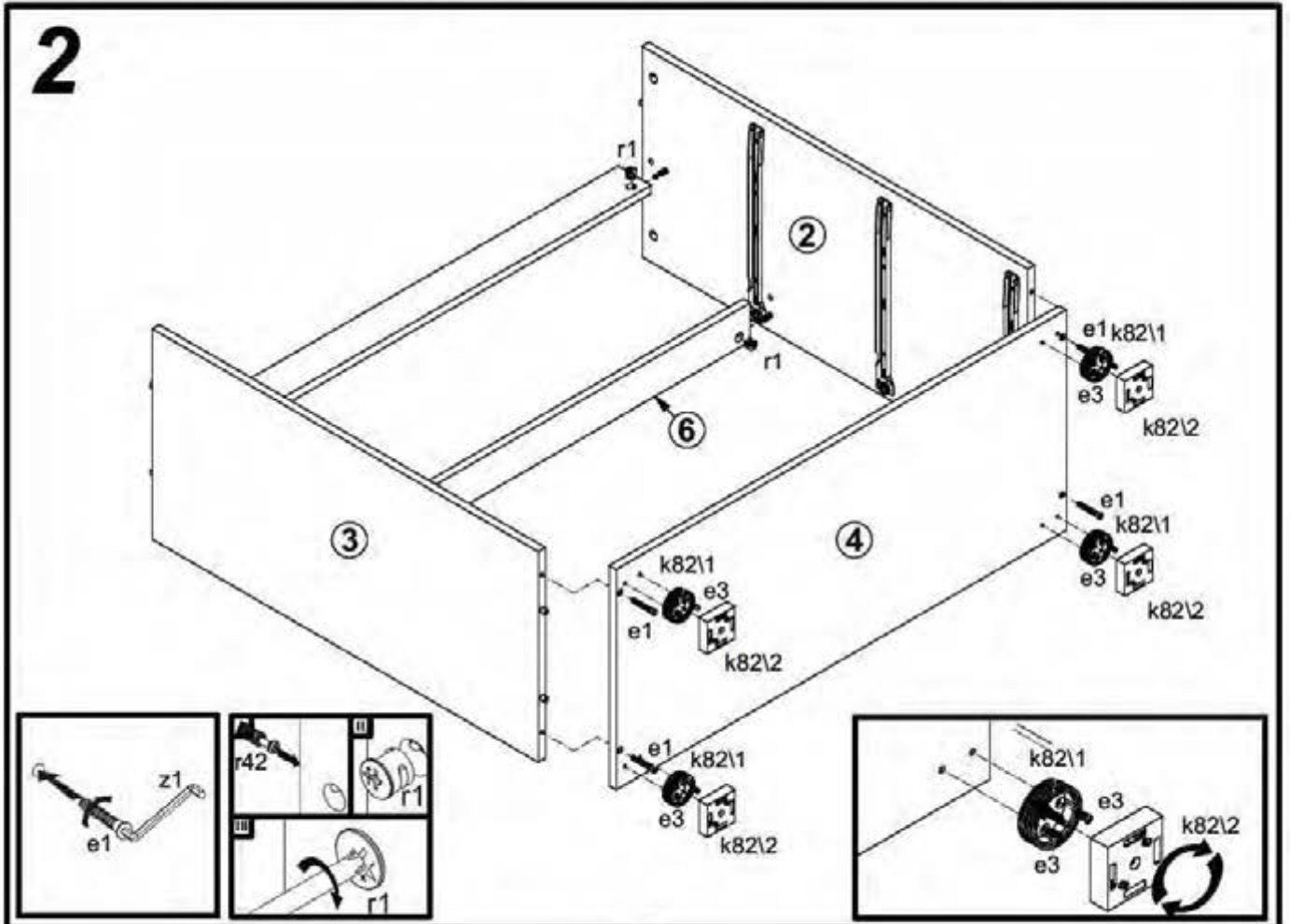
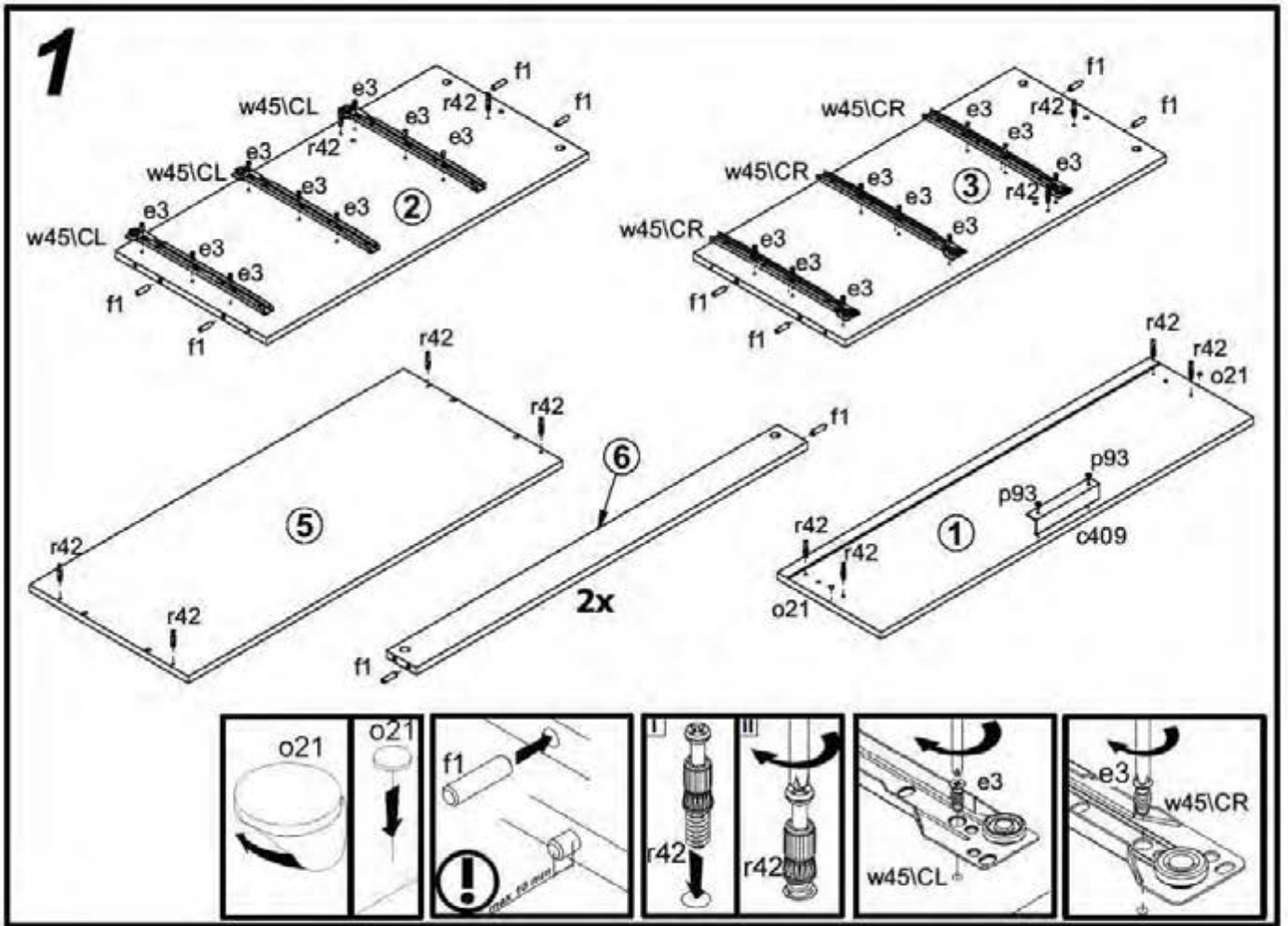
ZLATA

KOM3S

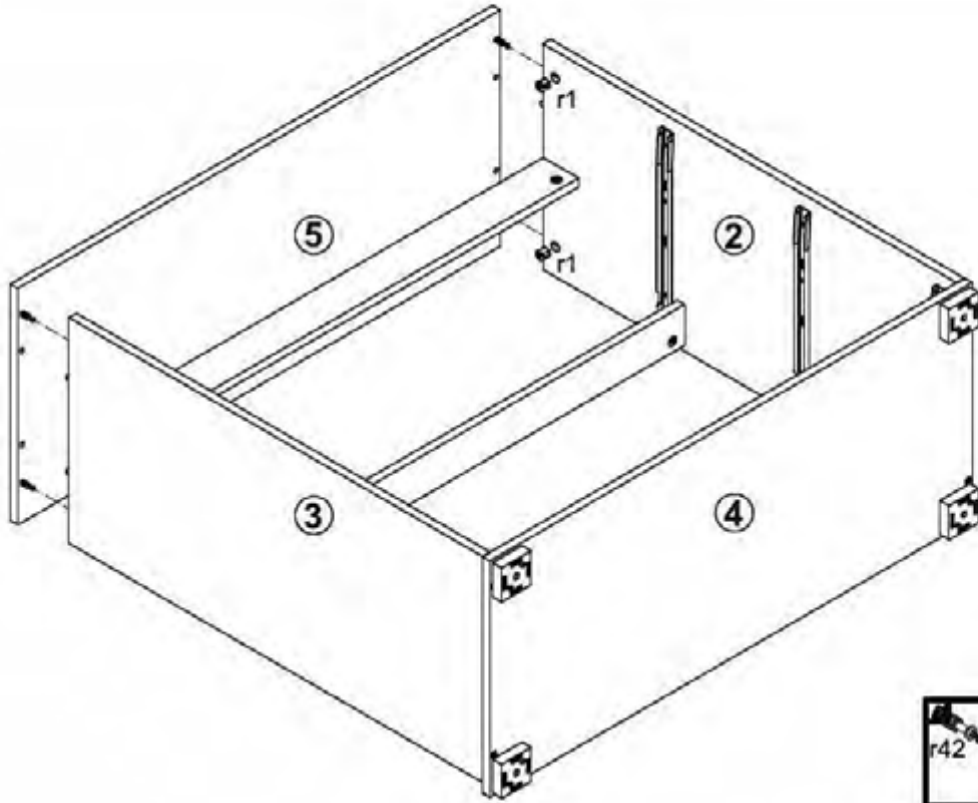
A	B	C	D	
1	S383 00004	945	264	2/2
2	S383 11003	815	385	1/2
3	S383 11004	815	385	1/2
4	S383 22003	950	403	1/2
5	S383 22004	950	403	1/2
6	S383 44004	917	70	1/2
7	S383 99001	870	348	1/2
8	S383 99502	842	471	1/2
9	ZP 5514	860	140	1/2
10	BP 511	350	140	1/2
11	BP 512	350	140	1/2



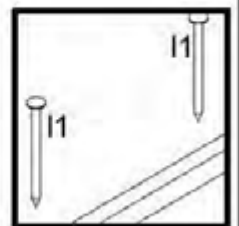
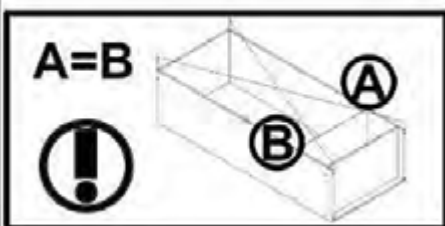
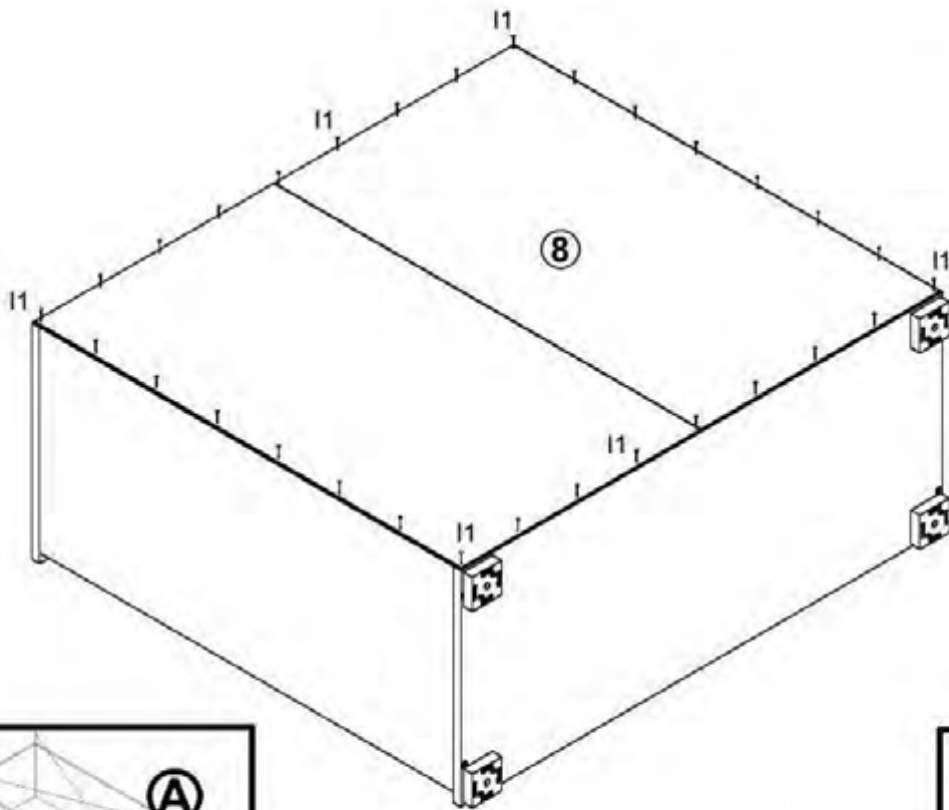
3x 120mm c409	4x Ø7x50 mm e1	12x Ø5x9 mm e19	26x Ø5x13 mm e3	12x Ø5x30 mm f1	12x Ø5,5x50 mm f25	6x Ø5x30 mm f9	4x k8211	4x k8212
30x l1	6x Ø3,5x16 mm p25	6x Ø5x13 mm p93	20x Ø15x12 mm #10 r1	6x silikon o21	20x Ø11 r42	3x 333 mm t19	3x 350 mm w45\CL	3x 350 mm w45\CR
3x 350 mm w45\DL	3x 350 mm w45\DR	1x z1						
							1x n2611	1x Ø3,5x16 mm p38



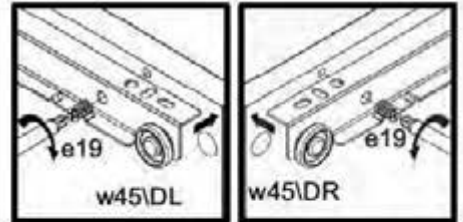
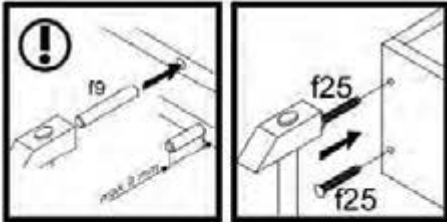
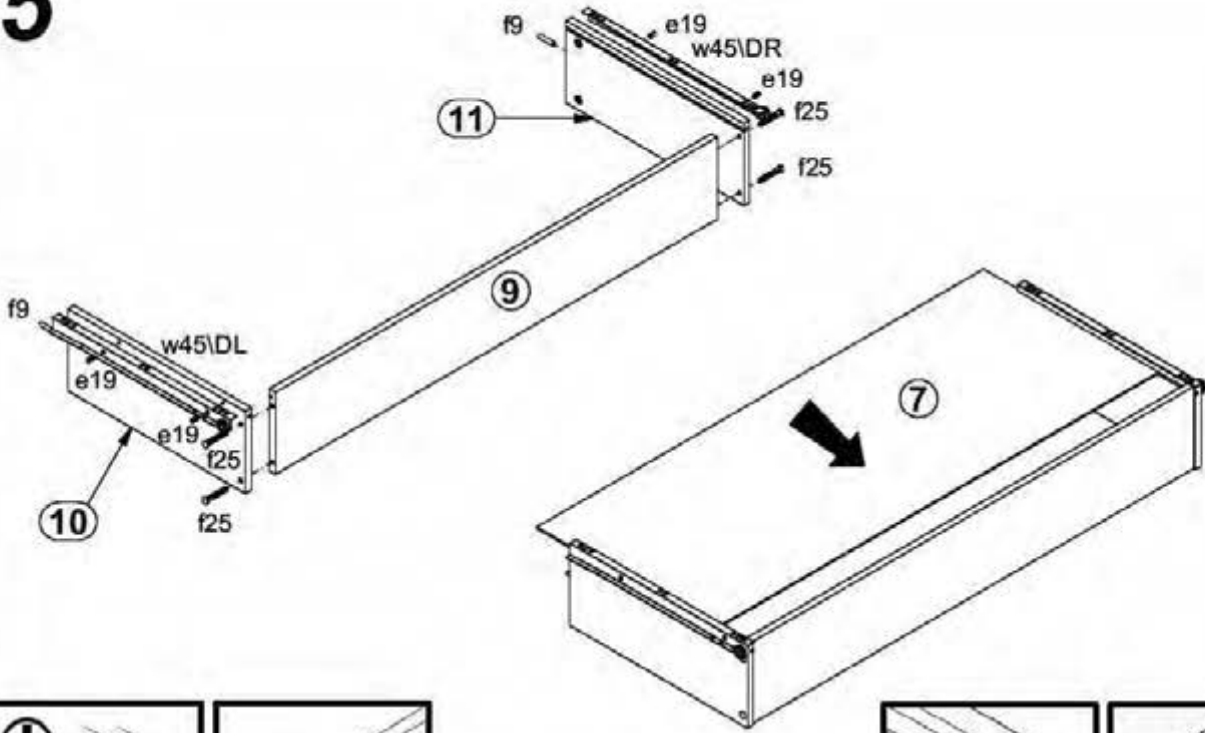
3



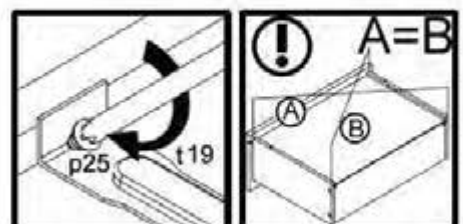
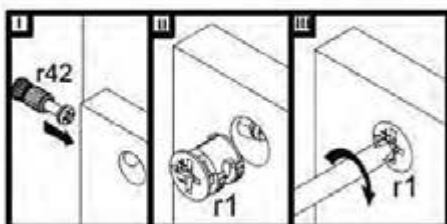
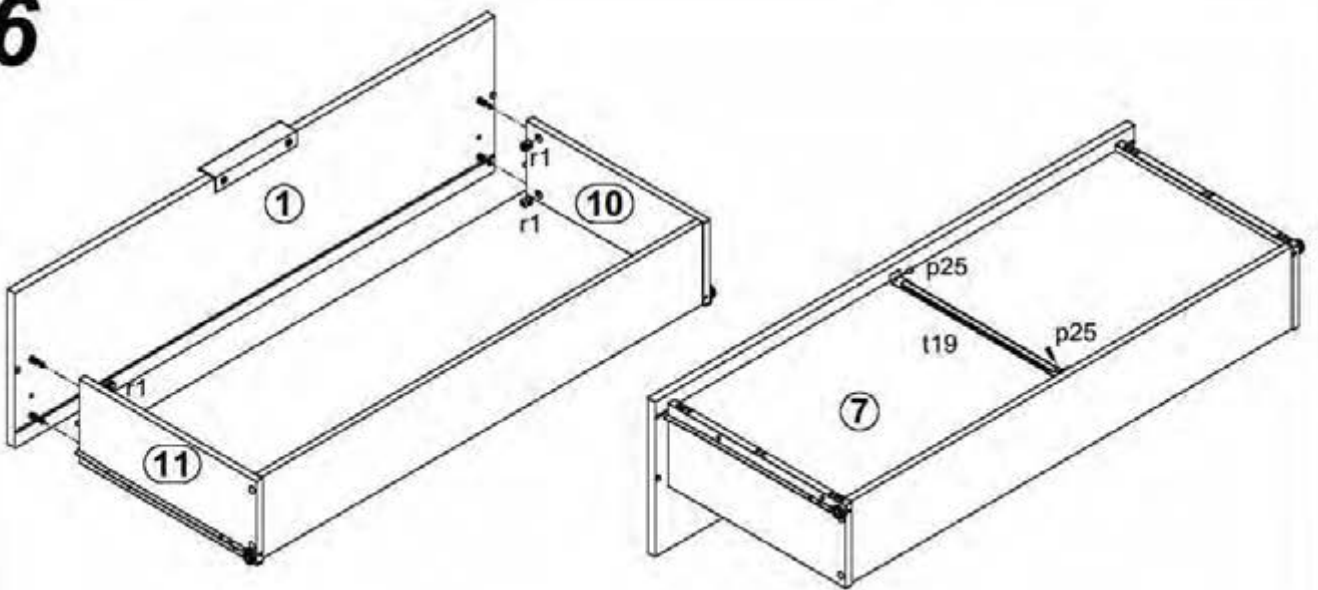
4



5



6



7

