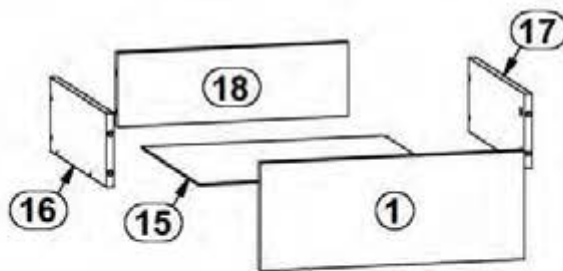
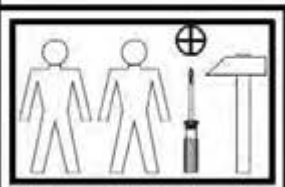
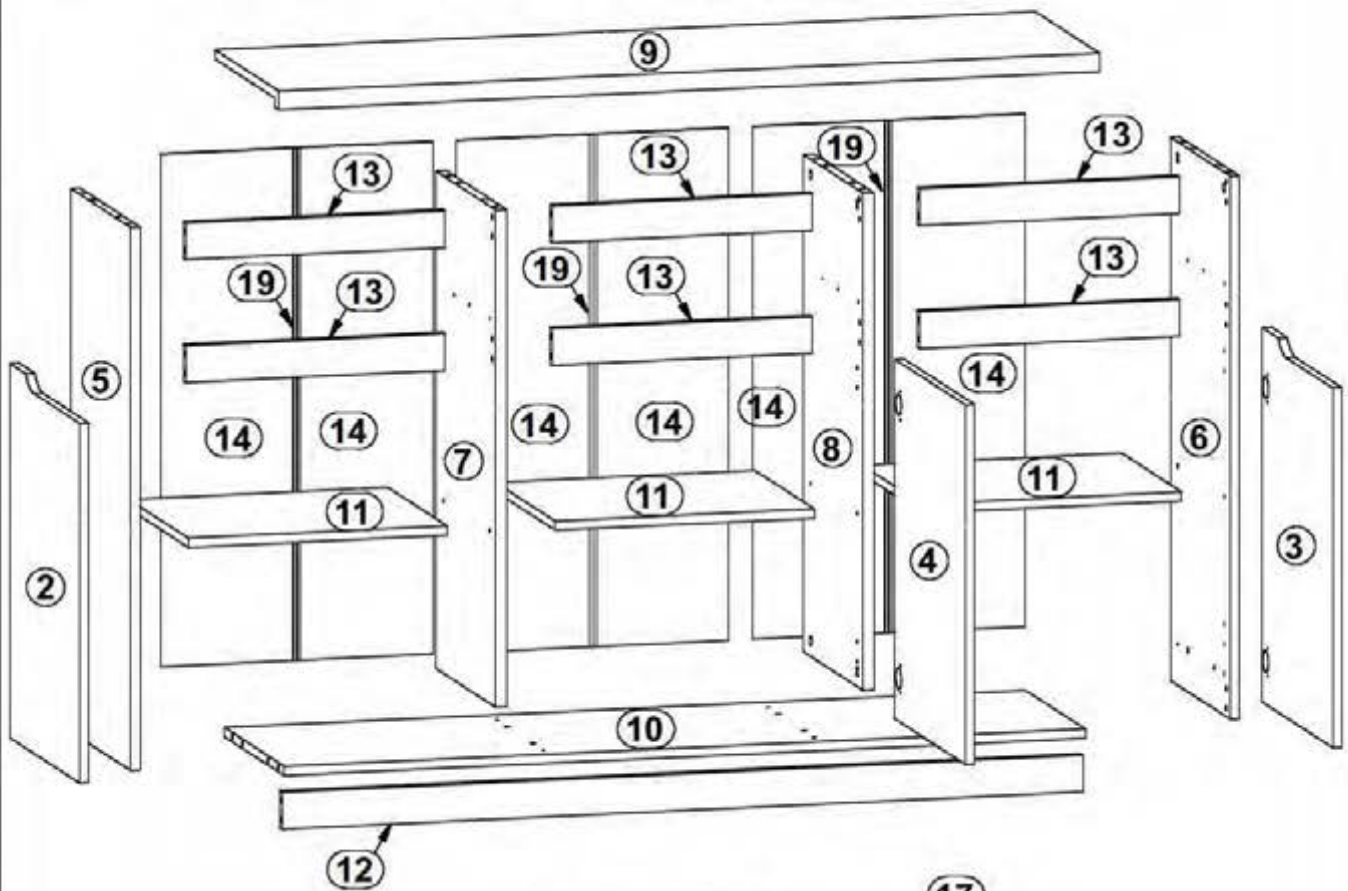
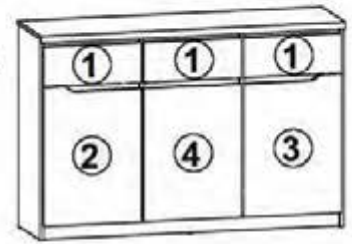
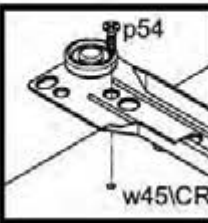
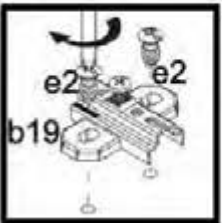
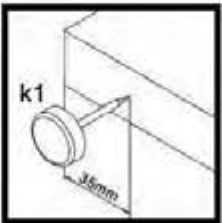
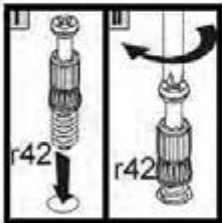
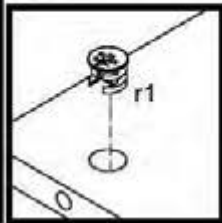
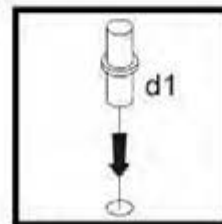
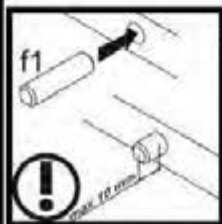
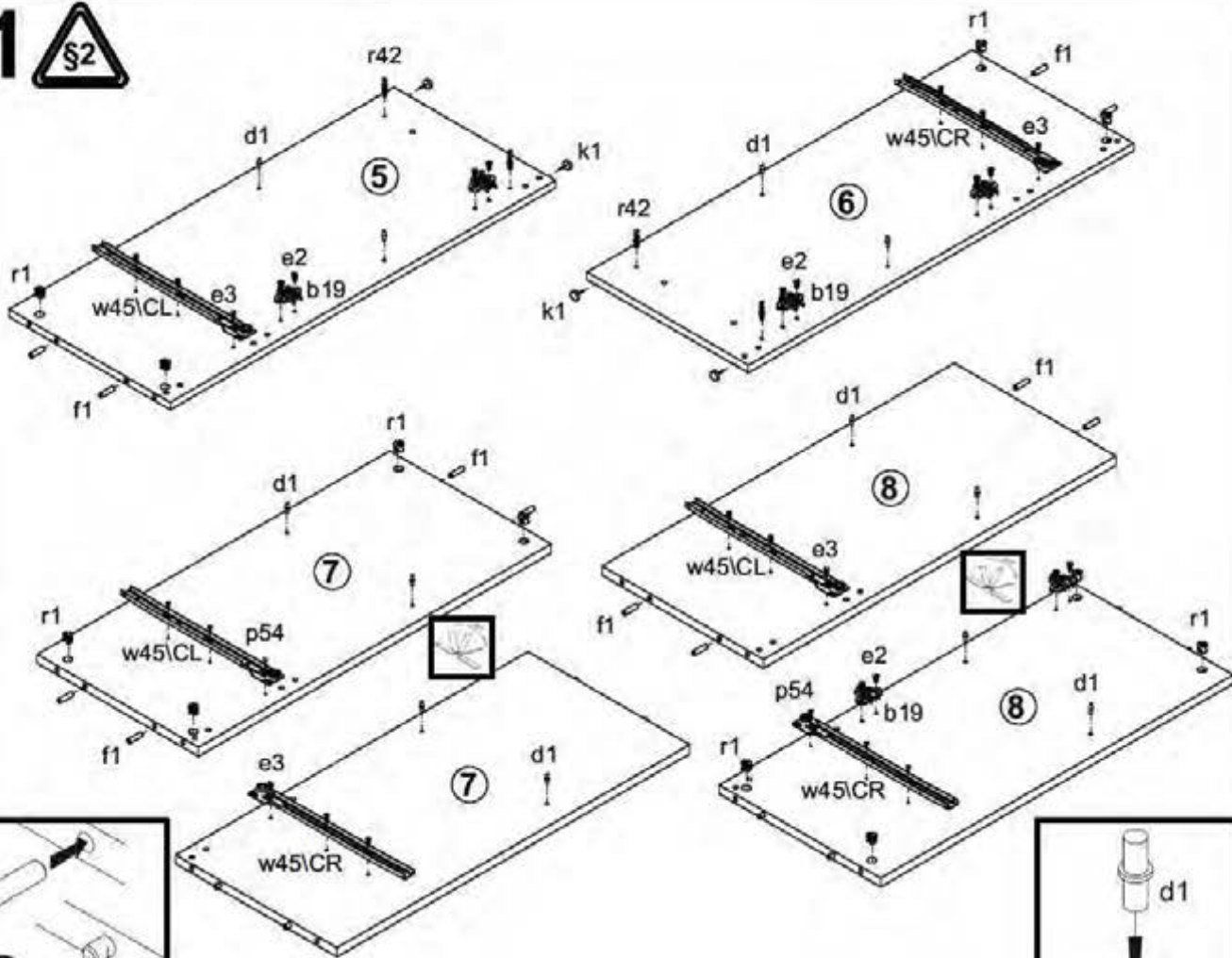


A	B	C	D	A	B	C	D		
1	S162 0019A	436	176	3/3	10	S162 3315	1329	371	2/3
2	S162 0020	610	436	3/3	11	S162 3316	430	370	1/3
3	S162 0021	610	436	3/3	12	S162 4409	1329	60	2/3
4	S162 0022	586	436	3/3	13	S162 4413	431	60	1/3
5	S162 1123	885	371	1/3	14	S162 9917	835	225	2/3
6	S162 1124	885	371	1/3	15	S162 9975	396	355	2/3
7	S162 1125	810	371	1/3	16	BB 511	350	120	2/3
8	S162 1126	810	371	1/3	17	BB 512	350	120	2/3
9	S162 2208	1363	397	2/3	18	ZB 5523	374	120	2/3
					19	Lh 805	805	14	2/3

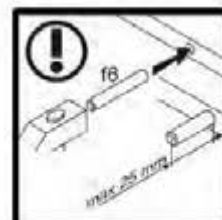
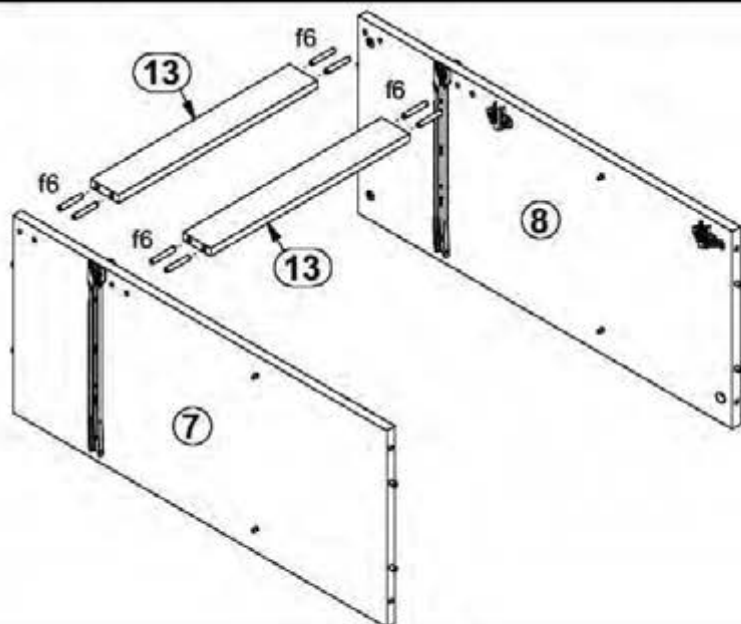


6x a68	6x b19	12x d1 Ø5x17 mm	12x e19 Ø5x9 mm	12x e2 Ø5.3x13 mm	12x e3 Ø5x13 mm	30x f1 Ø8x30 mm	8x f6 Ø8x50 mm	12x f25 Ø8.5x40 mm
5x k1	90x l1	9x p38 Ø4.8x38 mm	12x p51 Ø3.9x12 mm	6x p54 Ø3x12 mm	28x r1 Ø1.9x12 mm #16	28x r42	3x s2 Ø1.9	
3x w45\CL 350 mm	3x w45\CR 350 mm	3x w45\DL 350 mm	3x w45\DR 350 mm	1x n26\1	1x p38 Ø5.5x16 mm			

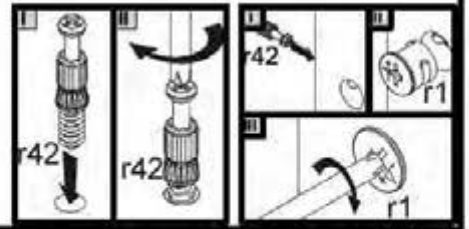
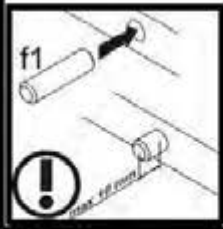
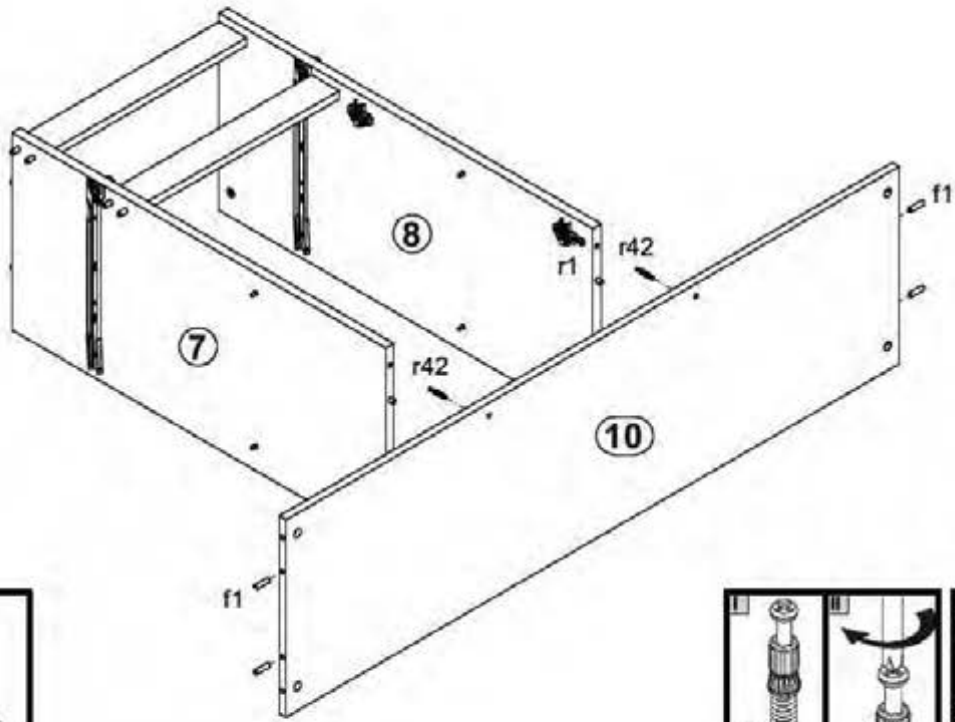
1



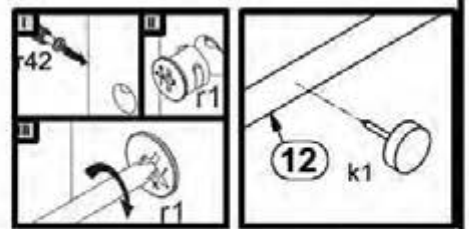
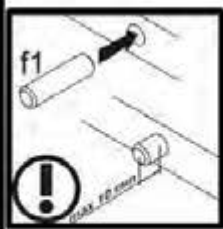
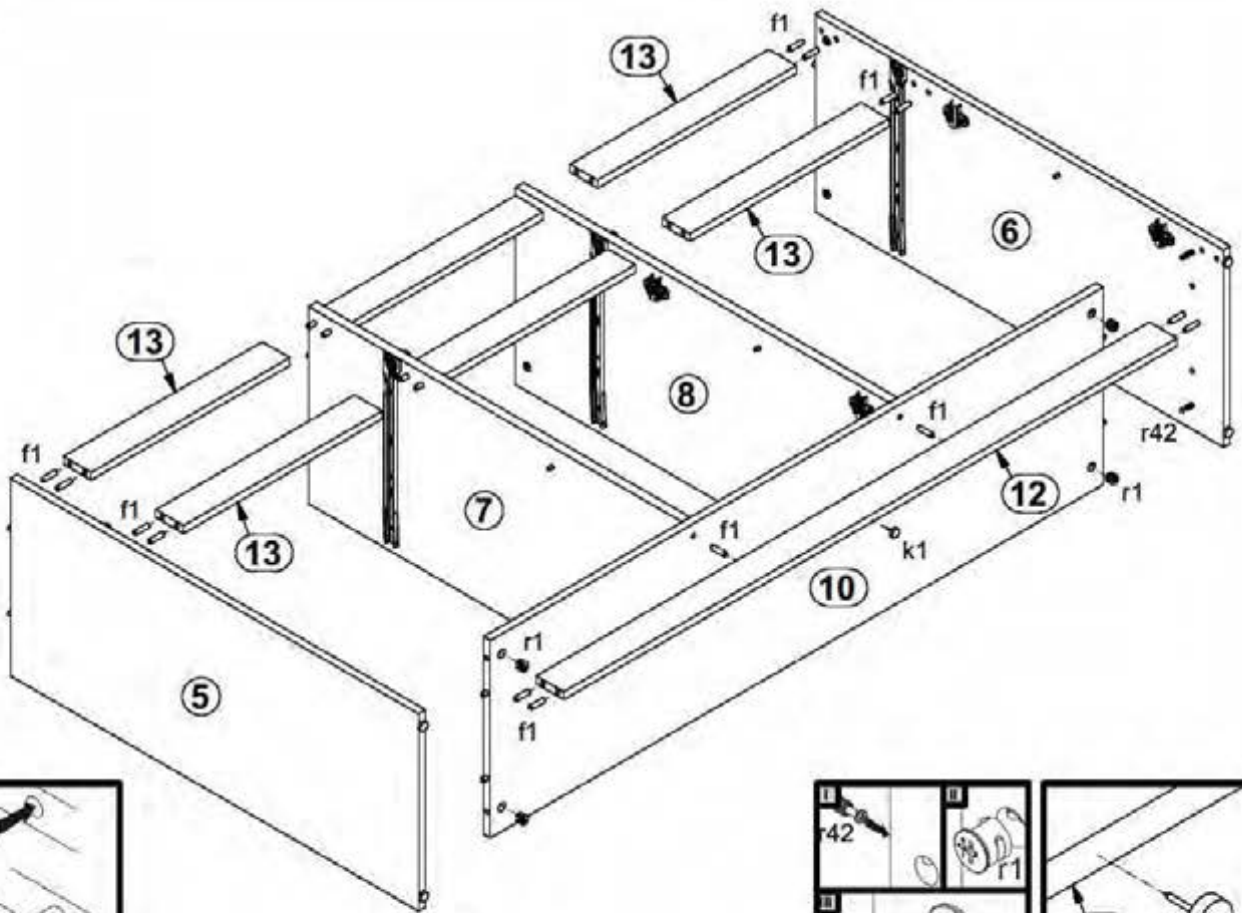
2



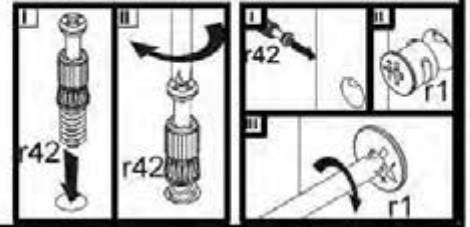
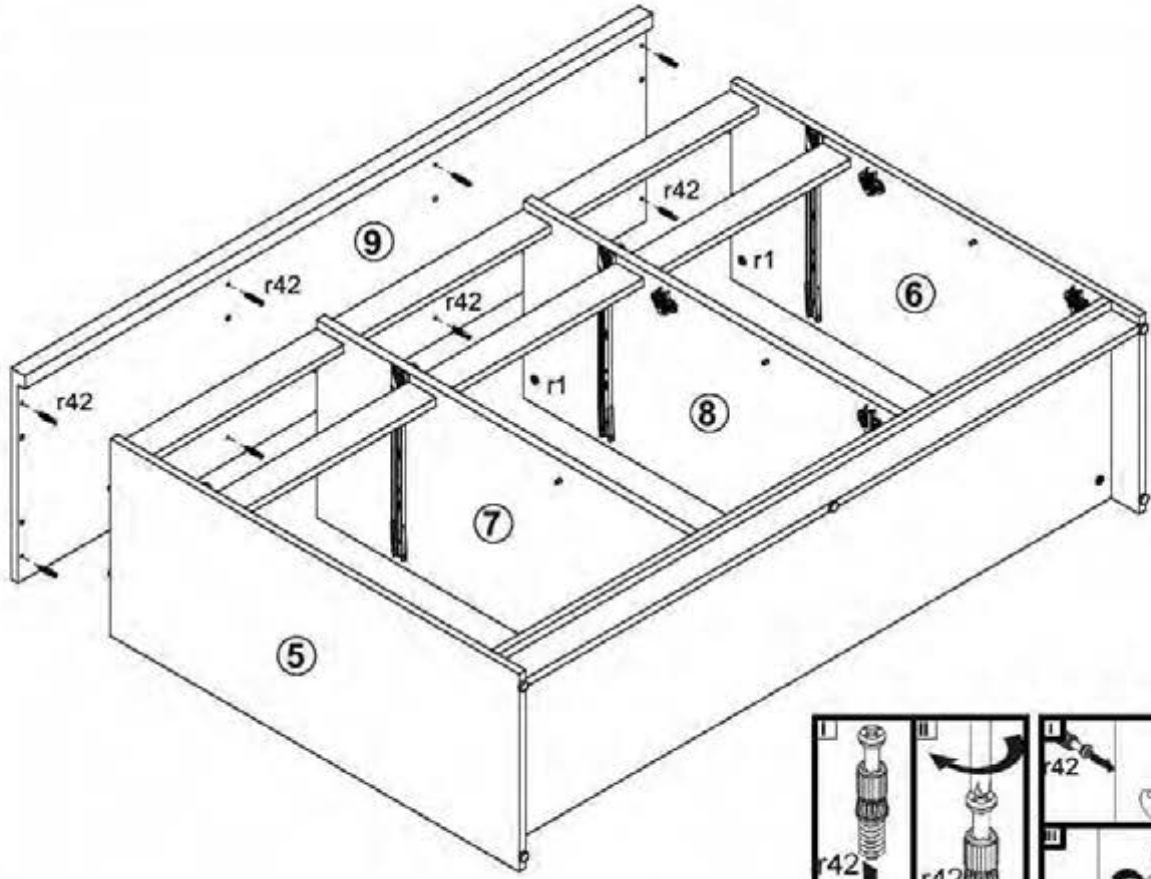
3



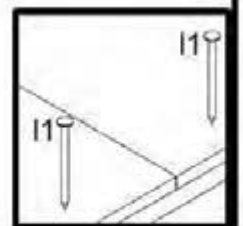
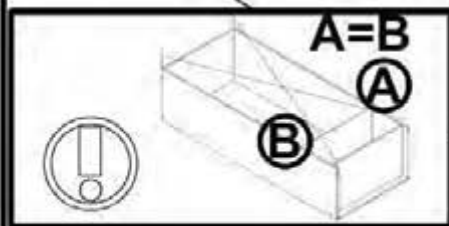
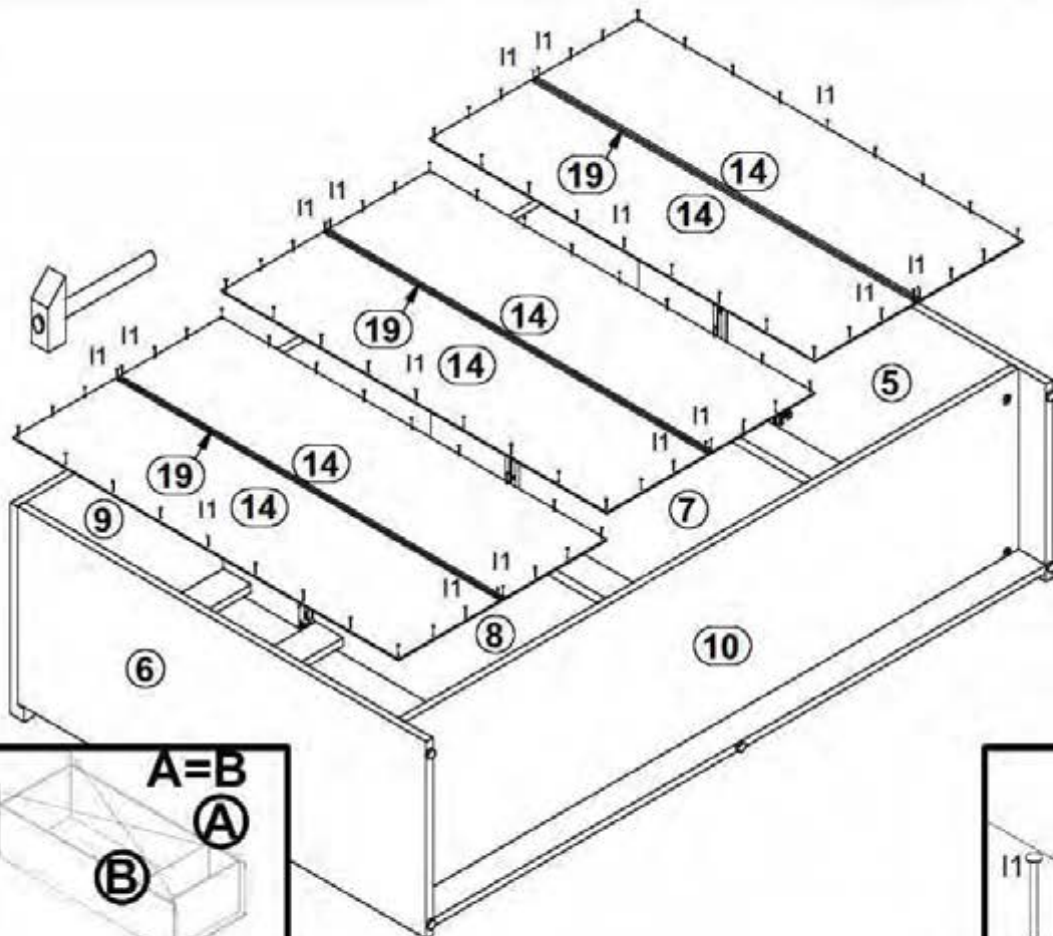
4



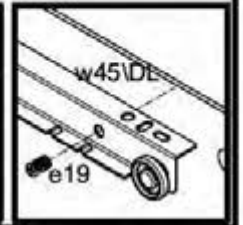
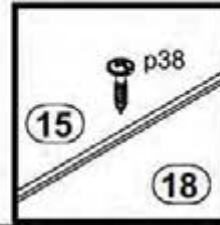
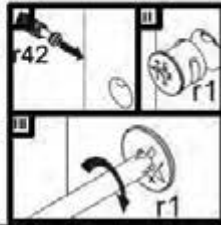
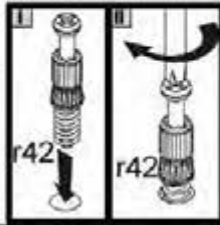
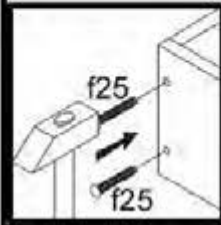
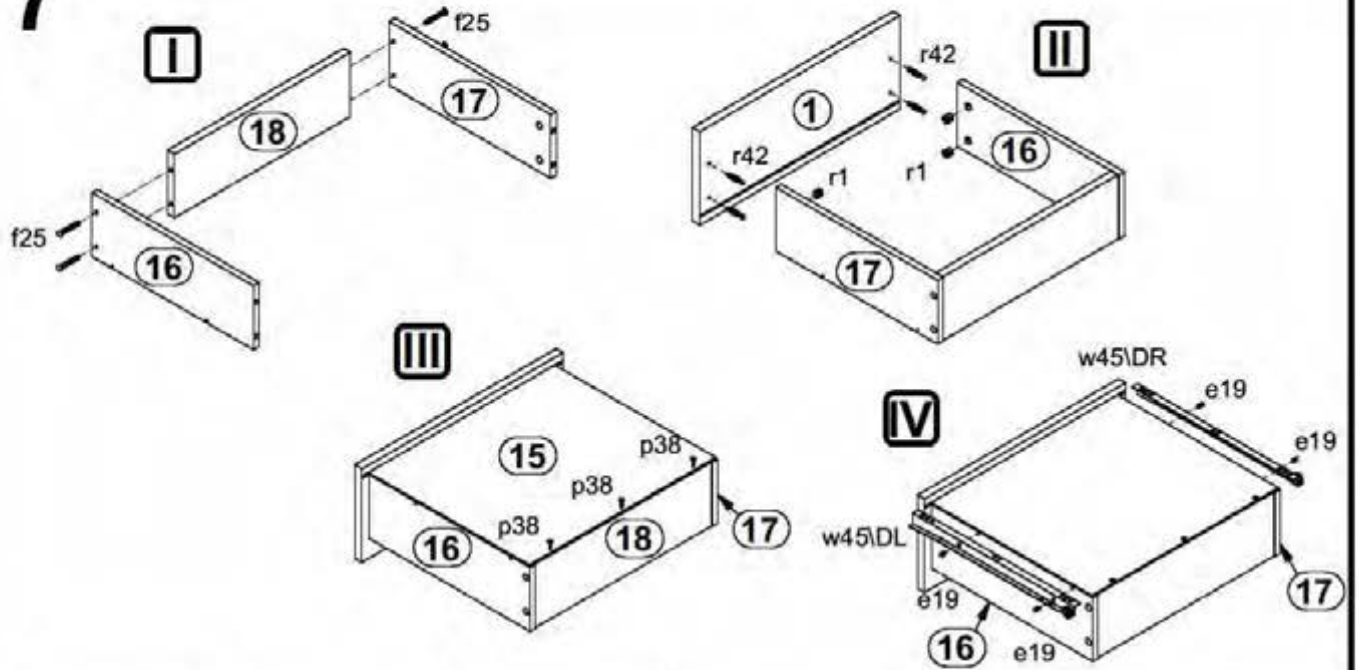
5



6



7



8

