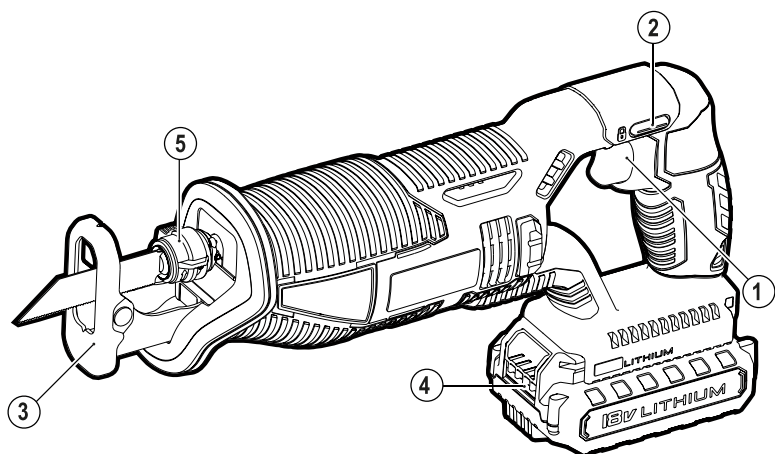
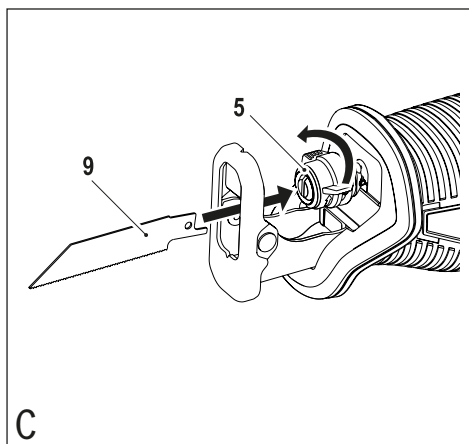
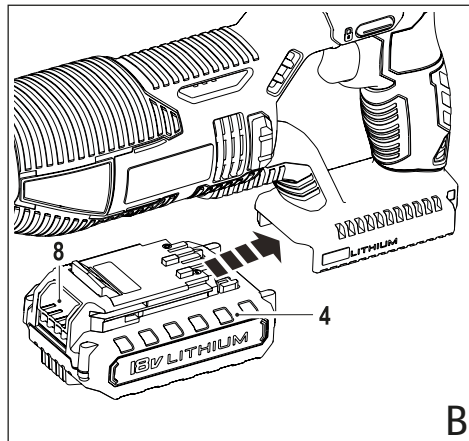
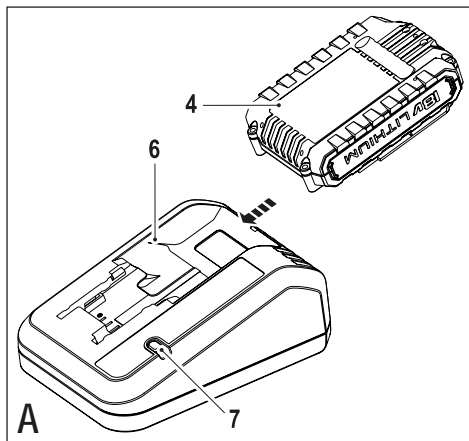


STANLEY®



STSC1820

English Page 3
Russian Page 9



Intended use

Your Stanley hand-held saw has been designed for sawing wood, plastics and sheet metal. This tool is intended for professional users.

Safety instructions

General power tool safety warnings



Warning! Read all safety warnings and all instructions. Failure to follow the warnings and instructions listed below may result in electric shock, fire and/or serious injury.

Save all warnings and instructions for future reference.

The term "power tool" in all of the warnings listed below refers to your mains operated (corded) power tool or battery operated (cordless) power tool.

1. Work area safety

- a. **Keep work area clean and well lit.** Cluttered or dark areas invite accidents.
- b. **Do not operate power tools in explosive atmospheres, such as in the presence of flammable liquids, gases or dust.** Power tools create sparks which may ignite the dust or fumes.
- c. **Keep children and bystanders away while operating a power tool.** Distractions can cause you to lose control.

2. Electrical safety

- a. **Power tool plugs must match the outlet. Never modify the plug in any way. Do not use any adapter plugs with earthed (grounded) power tools.** Unmodified plugs and matching outlets will reduce risk of electric shock.
- b. **Avoid body contact with earthed or grounded surfaces such as pipes, radiators, ranges and refrigerators.** There is an increased risk of electric shock if your body is earthed or grounded.
- c. **Do not expose power tools to rain or wet conditions.** Water entering a power tool will increase the risk of electric shock.
- d. **Do not abuse the cord. Never use the cord for carrying, pulling or unplugging the power tool. Keep cord away from heat, oil, sharp edges or moving parts.** Damaged or entangled cords increase the risk of electric shock.
- e. **When operating a power tool outdoors, use an extension cord suitable for outdoor use.** Use of a cord suitable for outdoor use reduces the risk of electric shock.

- f. **If operating a power tool in a damp location is unavoidable, use a residual current device (RCD) protected supply.** Use of an RCD reduces the risk of electric shock.
- ### 3. Personal safety
- a. **Stay alert, watch what you are doing and use common sense when operating a power tool. Do not use a power tool while you are tired or under the influence of drugs, alcohol or medication.** A moment of inattention while operating power tools may result in serious personal injury.
 - b. **Use personal protective equipment. Always wear eye protection.** Protective equipment such as dust mask, non-skid safety shoes, hard hat, or hearing protection used for appropriate conditions will reduce personal injuries.
 - c. **Prevent unintentional starting. Ensure the switch is in the off-position before connecting to power source and/or battery pack, picking up or carrying the tool.** Carrying power tools with your finger on the switch or energising power tools that have the switch on invites accidents.
 - d. **Remove any adjusting key or wrench before turning the power tool on.** A wrench or a key left attached to a rotating part of the power tool may result in personal injury.
 - e. **Do not overreach. Keep proper footing and balance at all times.** This enables better control of the power tool in unexpected situations.
 - f. **Dress properly. Do not wear loose clothing or jewellery. Keep your hair, clothing and gloves away from moving parts.** Loose clothes, jewellery or long hair can be caught in moving parts.
 - g. **If devices are provided for the connection of dust extraction and collection facilities, ensure these are connected and properly used.** Use of dust collection can reduce dust-related hazards.
- ### 4. Power tool use and care
- a. **Do not force the power tool. Use the correct power tool for your application.** The correct power tool will do the job better and safer at the rate for which it was designed.
 - b. **Do not use the power tool if the switch does not turn it on and off.** Any power tool that cannot be controlled with the switch is dangerous and must be repaired.
 - c. **Disconnect the plug from the power source and/or the battery pack from the power tool before making any adjustments, changing accessories, or storing power tools.** Such preventive safety measures reduce the risk of starting the power tool accidentally.

- d. Store idle power tools out of the reach of children and do not allow persons unfamiliar with the power tool or these instructions to operate the power tool. Power tools are dangerous in the hands of untrained users.
 - e. Maintain power tools. Check for misalignment or binding of moving parts, breakage of parts and any other condition that may affect the power tools operation. If damaged, have the power tool repaired before use. Many accidents are caused by poorly maintained power tools.
 - f. Keep cutting tools sharp and clean. Properly maintained cutting tools with sharp cutting edges are less likely to bind and are easier to control.
 - g. Use the power tool, accessories and tool bits etc. in accordance with these instructions, taking into account the working conditions and the work to be performed. Use of the power tool for operations different from those intended could result in a hazardous situation.
5. Battery tool use and care
- a. **Recharge only with the charger specified by the manufacturer.** A charger that is suitable for one type of battery pack may create a risk of fire when used with another battery pack.
 - b. **Use power tools only with specifically designated battery packs.** Use of any other battery packs may create a risk of injury and fire.
 - c. **When battery pack is not in use, keep it away from other metal objects, like paper clips, coins, keys, nails, screws, or other small metal objects, that can make a connection from one terminal to another.** Shorting the battery terminals together may cause burns or a fire.
 - d. **Under abusive conditions, liquid may be ejected from the battery; avoid contact. If contact accidentally occurs, flush with water. If liquid contacts eyes, additionally seek medical help.** Liquid ejected from the battery may cause irritation or burns.
6. Service
- a. **Have your power tool serviced by a qualified repair person using only identical replacement parts.** This will ensure that the safety of the power tool is maintained.

Additional power tool safety warnings



Warning! Warning! Additional safety warnings for hand-held saws.

- ◆ **Hold power tool by insulated gripping surfaces, when performing an operation where the cutting accessory may contact hidden wiring.** Cutting accessory contacting a "live" wire may make exposed metal parts of the power tool "live" and could give the operator an electric shock.
 - ◆ **Use clamps or another practical way to secure and support the workpiece to a stable platform.** Holding the work by hand or against your body leaves it unstable and may lead to loss of control.
 - ◆ **Keep hands away from cutting area.** Never reach underneath the work piece any reason. Do not insert fingers or thumb into the vicinity of the reciprocating blade and blade clamp. Do not stabilize the saw by gripping the shoe.
 - ◆ **Keep blades sharp.** Dull or damaged blades may cause the saw to swerve or stall under pressure. Always use the appropriate type of saw blade for the workpiece material and type of cut.
 - ◆ **When cutting pipe or conduit, make sure that they are free from water, electrical wiring, etc.**
 - ◆ **Do not touch the workpiece or the blade immediately after operating the tool.** They can become very hot.
 - ◆ **Be aware of hidden hazards, before cutting into walls, floors or ceilings, check for the location of wiring and pipes.**
 - ◆ **The blade will continue to move after releasing the switch.** Always switch the tool off and wait for the saw blade to come to a complete standstill before putting the tool down.
- Warning!** The vibration emission value during actual use of the power tool can differ from the declared value depending on the ways in which the tool is used. The vibration level may increase above the level stated.
- ◆ The intended use is described in this instruction manual. The use of any accessory or attachment or performance of any operation with this tool other than those recommended in this instruction manual may present a risk of personal injury and/or damage to property.

Safety of others

- ◆ This appliance is not intended for use by persons (including children) with reduced physical, sensory or mental capabilities, or lack of experience and knowledge, unless they have been given supervision or instruction concerning use of the appliance by a person responsible for their safety.
- ◆ Children should be supervised to ensure that they do not play with the appliance.

Vibration

The declared vibration emission values stated in the technical data and the declaration of conformity have been measured in accordance with a standard test method provided by EN 60745 and may be used for comparing one tool with another. The declared vibration emission value may also be used in a preliminary assessment of exposure.

Warning! The vibration emission value during actual use of the power tool can differ from the declared value depending on the ways in which the tool is used. The vibration level may increase above the level stated.

When assessing vibration exposure to determine safety measures required by 2002/44/EC to protect persons regularly using power tools in employment, an estimation of vibration exposure should consider, the actual conditions of use and the way the tool is used, including taking account of all parts of the operating cycle such as the times when the tool is switched off and when it is running idle in addition to the trigger time.

Residual risks.

Additional residual risks may arise when using the tool which may not be included in the enclosed safety warnings. These risks can arise from misuse, prolonged use etc.

Even with the application of the relevant safety regulations and the implementation of safety devices, certain residual risks can not be avoided. These include:

- ◆ Injuries caused by touching any rotating/moving parts.
- ◆ Injuries caused when changing any parts, blades or accessories.
- ◆ Injuries caused by prolonged use of a tool. When using any tool for prolonged periods ensure you take regular breaks.
- ◆ Impairment of hearing.
- ◆ Health hazards caused by breathing dust developed when using your tool (example:- working with wood, especially oak, beech and MDF.)

Labels on tool

The following pictograms are shown on the tool:



Warning! To reduce the risk of injury, the user must read the instruction manual.

Additional safety instructions for batteries and chargers

Batteries

- ◆ Never attempt to open for any reason.
- ◆ Do not expose the battery to water.
- ◆ Do not store in locations where the temperature may exceed 40 °C.
- ◆ Charge only at ambient temperatures between 10 °C and 40 °C.
- ◆ Charge only using the charger provided with the tool.
- ◆ When disposing of batteries, follow the instructions given in the section "Protecting the environment".



Do not attempt to charge damaged batteries.

Chargers

- ◆ Use your Stanley charger only to charge the battery in the tool with which it was supplied. Other batteries could burst, causing personal injury and damage.
- ◆ Never attempt to charge non-rechargeable batteries.
- ◆ Have defective cords replaced immediately.
- ◆ Do not expose the charger to water.
- ◆ Do not open the charger.
- ◆ Do not probe the charger.



The charger is intended for indoor use only.



Read the instruction manual before use.

Electrical safety



Your charger is double insulated; therefore no earth wire is required. Always check that the mains voltage corresponds to the voltage on the rating plate. Never attempt to replace the charger unit with a regular mains plug.

- ◆ If the supply cord is damaged, it must be replaced by the manufacturer or an authorised Stanley Service Centre in order to avoid a hazard.

Features

This tool includes some or all of the following features.

1. Variable speed switch
2. Lock-off button
3. Shoe
4. Battery (Not supplied)
5. Blade clamp collar

Fig. A

6. Charger (Not supplied)
7. Charging indicator

Assembly

Warning! Before assembly, remove the battery from the tool and make sure that the saw blade has stopped. Used saw blades may be hot.

Fitting the saw blade (fig. C)

- ◆ Hold the tool away from the body
- ◆ Rotate the blade clamp collar (5) in the direction shown in figure C
- ◆ Insert the shank of the blade (9) fully into the blade clamp collar (5).
- ◆ Release the blade clamp collar (5) to lock the blade into position

Note: The blade can be installed with the teeth up to assist in flush cutting


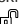
Removing the saw blade (fig. C)

Warning! Burn hazard: Do not touch the blade immediately after use. Contact with the blade may result in personal injury.

- ◆ Rotate the blade clamp collar (5) to the release position
- ◆ Remove blade (9)

Lock-off button

The tool is equipped with a switch lock-off feature to prevent unintentional operation.

- ◆ To lock: push the lock-off button (2) to the locked position 
- ◆ To un-lock: push the lock-off button (2) to the un-locked position 

Fitting and removing the battery (fig. B)

- ◆ To fit the battery (4), line it up with the receptacle on the tool. Slide the battery into the receptacle and push until the battery snaps into place.
- ◆ To remove the battery, push the release buttons (8) while at the same time pulling the battery out of the receptacle.

Use

Warning! Let the tool work at its own pace. Do not overload.

Charging the battery (fig. A)

The battery needs to be charged before first use and whenever it fails to produce sufficient power on jobs that were easily done before. The battery may become warm while charging; this is normal and does not indicate a problem.

Warning! Do not charge the battery at ambient temperatures below 10 °C or above 40 °C. Recommended charging temperature: approx. 24 °C.

Note: The charger will not charge a battery if the cell temperature is below approximately 0 °C or above 40 °C. The battery should be left in the charger and the charger will begin to charge automatically when the cell temperature warms up or cools down.

- ◆ To charge the battery (4), insert it into the charger (6). The battery will only fit into the charger in one way. Do not force. Be sure that the battery is fully seated in the charger.

- ◆ Plug in the charger and switch on at the mains.

The charging indicator (7) will flash green (slowly).

The charge is complete when the charging indicator (7) lights green continuously. The charger and the battery can be left connected indefinitely with the LED illuminated. The LED will change to flashing green (charging) state as the charger occasionally tops up the battery charge. The charging indicator (7) will be lit as long as the battery is connected to the plugged-in charger.

- ◆ Charge discharged batteries within 1 week. Battery life will be greatly diminished if stored in a discharged state.

Leaving the battery in the charger

The charger and battery pack can be left connected with the LED glowing indefinitely. The charger will keep the battery pack fresh and fully charged.

Charger diagnostics

If the charger detects a weak or damaged battery, the charging indicator (7) will flash red at a fast rate. Proceed as follows:

- ◆ Re-insert the battery (4).
- ◆ If the charging indicators continues flashing red at a fast rate, use a different battery to determine if the charging process works properly.
- ◆ If the replaced battery charges correctly, the original battery is defective and should be returned to a service centre for recycling.
- ◆ If the new battery gives the same indication as the original battery, take the charger to be tested at an authorised services centre.

Note: It may take as long as 60 minutes to determine that the battery is defective. If the battery is too hot or too cold, the LED will alternately blink red, fast and slow, one flash at each speed and repeat.

Switching on and off

The variable speed on/off switch offers a choice of speeds for greatly improved cutting rates in various materials.

- ◆ To switch the tool on, squeeze the variable speed on/off switch (1).
- ◆ To switch the tool off, release the variable speed on/off switch (1).

Sawing

- ◆ Always hold the tool with both hands.
- ◆ Let the blade run freely for a few seconds before starting the cut.
- ◆ Apply only a gentle pressure to the tool while performing the cut.
- ◆ If possible, work with the shoe (3) pressed against the workpiece. This will improve tool control and reduce tool vibration, as well as prevent the blade from being damaged.

Hints for optimum use

Sawing wood

- ◆ Clamp the workpiece securely and remove all nails and metal objects.
- ◆ Holding the tool with both hands, work with the shoe (3) pressed against the workpiece.

Flush cutting

The compact design of the reciprocating saw motor housing and pivoting shoe permit close cutting to floors, corners and other difficult areas.

To maximize flush cutting capabilities:

- ◆ Insert the blade shaft into the blade clamp with the teeth of the blade facing up.
- ◆ Adjust the angle of the handle on the tool so you are as close to the work surface as possible.

Sawing metal

Be aware that sawing metal takes much more time than sawing wood.

- ◆ Use a saw blade suitable for sawing metal. Use a fine-tooth saw blade for ferrous metals and a coarser saw blade for non-ferrous metals.
- ◆ When cutting thin sheet metal, clamp a piece of scrap wood to the back surface of the workpiece and cut through this sandwich.
- ◆ Spread a film of oil along the intended line of cut.

Pocket cutting in wood

- ◆ Measure and mark the required pocket cut.
- ◆ Fit a saw blade suitable for pocket cutting.
- ◆ Rest the shoe (3) on the workpiece in such a position that the blade forms an appropriate angle for the pocket cut.

- ◆ Switch on the tool and slowly feed the blade into the workpiece. Make sure that the shoe (3) remains in contact with the workpiece at all times.

Cutting branches

Branches up to 25 mm in diameter can be cut with this tool.

Warning! Do not use the tool while in a tree, on a ladder or on any other unstable surface. Be aware of where the branch will fall.

- ◆ Cut downward and away from your body.
- ◆ Make the cut close to the main branch or tree body.

Vertical cutting

The tool allows close cutting to corners and other difficult areas.

- ◆ Insert the shank of the saw blade into the blade holder with the teeth of the blade facing upward.
- ◆ Hold the tool with the shoe (3) facing downward so that you are as close to the work surface as possible.
- ◆ Cut forward and away from your body.

Accessories

The performance of your tool depends on the accessory used. Stanley accessories are engineered to high quality standards and designed to enhance the performance of your tool. By using these accessories you will get the very best from your tool.

Blades

The saw will accept a blade up to 30 cm long. Always use the shortest blade suitable for your project but long enough to keep the blade cutting through the material. Longer blades are more likely to be bent or damaged during use. During operation some longer blades may vibrate or shake if the saw is not kept in contact with the workpiece.

Maintenance

Your Stanley tool has been designed to operate over a long period of time with a minimum of maintenance. Continuous satisfactory operation depends upon proper tool care and regular cleaning.

Your charger does not require any maintenance apart from regular cleaning.

Warning! Before performing any maintenance on the tool, remove the battery from the tool. Unplug the charger before cleaning it.

- ◆ Regularly clean the ventilation slots in your tool and charger using a soft brush or dry cloth.
- ◆ Regularly clean the motor housing using a damp cloth.
- ◆ Do not use any abrasive or solvent-based cleaner.

- Regularly open the chuck and tap it to remove any dust from the interior.

Protecting the environment



Separate collection. This product must not be disposed of with normal household waste.

Should you find one day that your Stanley product needs replacement, or if it is of no further use to you, do not dispose of it with household waste. Make this product available for separate collection.



Separate collection of used products and packaging allows materials to be recycled and used again.

Re-use of recycled materials helps prevent environmental pollution and reduces the demand for raw materials.

Local regulations may provide for separate collection of electrical products from the household, at municipal waste sites or by the retailer when you purchase a new product.

Stanley Europe provides a facility for the collection and recycling of Stanley products once they have reached the end of their working life. To take advantage of this service please return your product to any authorised repair agent who will collect them on our behalf.

You can check the location of your nearest authorised repair agent by contacting your local Stanley Europe office at the address indicated in this manual. Alternatively, a list of authorised Stanley Europe repair agents and full details of our after-sales service and contacts are available on the Internet at: www.2helpU.com

Batteries



Stanley batteries can be recharged many times. At the end of their useful life, discard batteries with due care for our environment:

- Run the battery down completely, then remove it from the tool.
- NiCd, NiMH and Li-Ion batteries are recyclable. Take them to any authorised repair agent or a local recycling station.

Technical data

STSC1820		
Input voltage	V_a	18
No-load speed	min ⁻¹	0-3000
Stroke length	mm	25
Weight	kg	2.054

Charger		Not Supplied
Input Voltage	V_{ac}	
Output Voltage	V_{dc}	
Current	A	
Approx. charge time	min	

Battery		Not Supplied
Voltage	V_{dc}	
Capacity	Ah	
Type		

Level of sound pressure according to EN 60745:
Sound pressure (L_{pA}) 84.5 dB(A), uncertainty (K) 3 dB(A)
Sound power (L_{WA}) 95.5 dB(A), uncertainty (K) 3 dB(A)

Vibration total values (tri-ax vector sum) according to EN 60745:
Cutting chipboard ($a_{h,1}$) 18.0 m/s ² , uncertainty (K) 1.5 m/s ²
Cutting wooden beams ($a_{h,2}$) 13.3 m/s ² , uncertainty (K) 1.5 m/s ²

Guarantee

Stanley is confident of the quality of its products and offers consumers a 24 month guarantee from the date of purchase. This guarantee is in addition to and in no way prejudices your statutory rights. The guarantee is valid within the territories of the Member States of the European Union and the European Free Trade Area.

To claim on the guarantee, the claim must be in accordance with Stanley Terms and Conditions and you will need to submit proof of purchase to the seller or an authorised repair agent. Terms and conditions of the Stanley 2 year guarantee and the location of your nearest authorised repair agent can be obtained on the Internet at www.2helpU.com, or by contacting your local Stanley office at the address indicated in this manual.

Назначение

Ваша ручная пила Stanley предназначена для распила дерева, пластмассы и листового металла. Данный инструмент предназначен для профессионального использования.

Правила техники безопасности

Общие правила безопасности при работе с электроинструментом



Внимание! Полностью прочтите инструкции по технике безопасности и все руководства по эксплуатации. Несоблюдение представленных ниже предупреждений и инструкций может привести к поражению электрическим током, возгоранию и/или тяжелым травмам.

Сохраните все инструкции для последующего обращения к ним. Термин «электроинструмент» во всех приведенных ниже предупреждениях относится к питаемому от электросети (проводному) или от аккумуляторных батарей (беспроводному) электроинструменту.

1. Безопасность на рабочем месте

- a. **Содержите рабочее место в чистоте и обеспечьте его хорошую освещенность.** Плохое освещение или беспорядок на рабочем месте может привести к несчастному случаю.
- b. **Не используйте электроинструмент во взрывоопасной атмосфере, например, при наличии горючих жидкостей, газов или пыли.** Искры, которые появляются при работе электроинструмента, могут привести к воспламенению пыли или паров.
- c. **Не разрешайте детям и посторонним лицам находиться рядом с вами при работе с электроинструментом.** Отвлекаясь от работы, вы можете потерять контроль над инструментом.

2. Электробезопасность

- a. **Сетевые вилки электроинструмента должны соответствовать розеткам. Никогда не меняйте вилку инструмента. Запрещается использовать переходники к вилкам для электроинструментов с заземлением.** Использование оригинальных штепсельных вилок, соответствующих типу сетевой розетки, снижает риск поражения электрическим током.

- b. **Следует избегать контакта с заземленными поверхностями, такими как трубы, радиаторы, батареи и холодильники.** Если вы будете заземлены, увеличивается риск поражения электрическим током.
- c. **Не допускайте нахождения электроинструментов под дождем или в условиях повышенной влажности.** Попадание воды в электроинструмент может привести к поражению электрическим током.
- d. **Бережно обращайтесь с кабелем питания. Никогда не используйте кабель для переноски инструмента, не тяните за него, пытайтесь отключить инструмент от сети. Держите кабель подальше от источников тепла, масла, острых углов или движущихся предметов.** Поврежденный или запутанный кабель питания повышает риск поражения электротоком.
- e. **При работе с электроинструментом вне помещения необходимо пользоваться удлинительным кабелем, рассчитанным на эксплуатацию вне помещения.** Использование кабеля, предназначенного для применения на открытом воздухе, снижает риск поражения электрическим током.
- f. **При необходимости эксплуатации электроинструмента в местах с повышенной влажностью используйте устройство защиты от токов замыкания на землю (УЗО).** Использование УЗО сокращает риск поражения электрическим током.

3. Обеспечение индивидуальной безопасности

- a. **При работе с электроинструментом сохраняйте бдительность, следите за своими действиями и руководейтесь здравым смыслом. Запрещается работать с электроинструментом в состоянии усталости, наркотического, алкогольного опьянения или под воздействием лекарственных препаратов.** Минутная невнимательность при работе с электроинструментом может привести к серьезным травмам.
- b. **Используйте средства индивидуальной защиты. Всегда используйте защитные очки.** Средства защиты, такие как пылезащитная маска, обувь на нескользящей подошве, каска и защитные наушники, используемые при работе, уменьшают риск получения травм.
- c. **Примите меры для предотвращения случайного включения. Перед тем как подключить электроинструмент к сети и/или аккумуляторной батарее, возьмите инструмент или перенести его на другое место, убедитесь в том, что выключатель находится в положении «Выкл.». Если при переноске электроинструмента он подключен к сети, и**

- при этом ваш палец находится на выключателе, это может стать причиной несчастных случаев.
- d. **Уберите все регулировочные или гаечные ключи перед включением электроинструмента.** Ключ, оставленный на вращающейся части электроинструмента, может привести к травме.
 - e. **Не пытайтесь дотянуться до слишком удаленных поверхностей. Всегда твердо стойте на ногах, сохраняя равновесие.** Это позволит лучше контролировать электроинструмент в непредвиденных ситуациях.
 - f. **Надевайте подходящую одежду. Избегайте носить свободную одежду и ювелирные украшения. Следите за тем, чтобы волосы, одежда и перчатки не попадали под движущиеся детали.** Возможно наматывание свободной одежды, ювелирных изделий и длинных волос на движущиеся детали.
 - g. **При наличии устройств для подключения оборудования для удаления и сбора пыли необходимо обеспечить правильность их подключения и эксплуатации.** Использование устройства для пылеудаления сокращает риски, связанные с пылью.
- #### 4. Эксплуатация электроинструмента и уход за ним
- a. **Избегайте чрезмерной нагрузки электроинструмента. Используйте электроинструмент в соответствии с назначением.** Правильно подобранный электроинструмент выполнит работу более эффективно и безопасно при стандартной нагрузке.
 - b. **Не используйте электроинструмент, если не работает его выключатель.** Любой электроинструмент, управлять выключением и включением которого невозможно, опасен, и его необходимо отремонтировать.
 - c. **Перед выполнением любой регулировки, заменой дополнительных принадлежностей или хранением электроинструмента отключите инструмент от сети или извлеките батарею из инструмента.** Такие превентивные меры безопасности сокращают риск случайного включения электроинструмента.
 - d. **Храните электроинструмент в недоступном для детей месте и не позволяйте работать с инструментом людям, не имеющим соответствующих навыков работы с такого рода инструментами.** Электроинструмент представляет опасность в руках неопытных пользователей.
 - e. **Проводите обслуживание электроинструментов. Проверьте движущиеся детали на точность совмещения или заклинивание, помолку или какие-либо другие условия, которые могут повлиять на эксплуатацию электроинструмента. В случае обнаружения повреждений, прежде чем приступить к эксплуатации электроинструмента, его нужно отремонтировать.** Большинство несчастных случаев происходит из-за электроинструментов, которые не обслуживаются должным образом.
 - f. **Необходимо содержать режущий инструмент в остро заточенном и чистом состоянии.** Вероятность заклинивания инструмента, за которым следят должным образом и который хорошо заточен, значительно меньше, а работать с ним легче.
 - g. **Используйте данный электроинструмент, а также дополнительные принадлежности и насадки в соответствии с данными инструкциями и с учетом условий и специфики работы. Использование электроинструмента для работ, для которых он не предназначен, может привести к несчастным случаям.**
- #### 5. Использование аккумуляторных электроинструментов и уход за ними
- a. **Используйте для зарядки аккумуляторной батареи только указанное производителем зарядное устройство.** Использование зарядного устройства определенного типа для зарядки других батарей может привести к возгоранию.
 - b. **Используйте для электроинструмента только батареи указанного типа.** Использование других аккумуляторных батарей может стать причиной травмы и пожара.
 - c. **Избегайте попадания внутрь батареи скрепок, монет, ключей, гвоздей, болтов или других мелких металлических предметов, которые могут вызывать замыкание ее контактов.** Короткое замыкание контактов аккумуляторной батареи может привести к пожару или получению ожогов.
 - d. **При повреждении батареи, из нее может вытечь электролит; избегайте контакта с ним. При случайном контакте с электролитом смойте его водой. При попадании электролита в глаза обратитесь за медицинской помощью.** Жидкость, находящаяся внутри батареи, может вызвать раздражение или ожоги.
- #### 6. Сервисное обслуживание
- a. **Обслуживание электроинструмента должно выполняться только квалифицированным техническим персоналом.** Это позволит обеспечить безопасность обслуживаемого электроинструмента.

Дополнительные правила безопасности при работе с электроинструментом



Внимание! Внимание! Дополнительные инструкции по технике безопасности для ручных пил.

- ◆ **Удерживайте инструмент за изолированные поверхности захватывания при выполнении работ, во время которых имеется вероятность контакта инструмента со скрытой электропроводкой.** Если вы держитесь за металлические детали инструмента в случае перерезания находящегося под напряжением провода возможно поражение оператора электрическим током.
- ◆ **Используйте зажимы или другие уместные средства фиксации заготовки на стабильной опоре.** Если держать заготовку руками или с упором в собственное тело, то можно потерять контроль над инструментом или заготовкой.
- ◆ **Держите руки подальше от зоны разреза.** Никогда не наклоняйтесь над заготовкой. Не помещайте пальцы вблизи пильного полотна и его зажима. Не устанавливайте пилу, удерживая ее за основание.
- ◆ **Следите за острой заточкой пильных полотен.** Тупые или поврежденные полотна могут привести к тому, что лобзик отклонится или заклинит под давлением. Всегда используйте полотна соответствующего типа для разных рабочих деталей и типа распила.
- ◆ **При распиле трубы или трубопровода убедитесь в том, что в них нет воды, не проходит электропроводка и т. п.**
- ◆ **Не трогайте заготовку и полотно сразу после того как закончите работу.** Они могут сильно нагреваться.
- ◆ **Перед тем, как делать отверстия в стенах, полах или потолках, проверьте места прохождения проводки и трубопроводов.**
- ◆ **Полотно продолжает двигаться после того, как будет отпущен спусковой выключатель.** Всегда выключайте инструмент и подождите, пока пила полностью остановится перед тем, как положить инструмент.

Внимание! Значение эмиссии вибрации в каждом конкретном случае применения электроинструмента может отличаться от заявленного в зависимости от того, каким образом используется инструмент. Уровень вибрации может быть выше заявленного.

- ◆ Далее в руководстве приводятся виды работ, для которых предназначен данный инструмент. Использование любых принадлежностей или приспособлений, а также выполнение данным инструментом любых видов работ, не

рекомендованных данным руководством по эксплуатации, может привести к несчастному случаю и/или повреждению личного имущества.

Безопасность окружающих

- ◆ Данный инструмент не предназначен для использования лицами (включая детей) с ограниченными физическими, сенсорными или ментальными возможностями, а также лицами без достаточного опыта и знаний, если только они не делают этого под руководством лица имеющего соответствующий опыт и отвечающего за их безопасность.
- ◆ Не позволяйте детям играть с данным инструментом.

Вибрация

Заявленные значения вибрации указанные в технических спецификациях и заявлении о соответствии были измерены в соответствии с стандартным методом тестирования EN 60745 и могут быть использованы для сравнения инструментов. Заявленное значение эмиссии вибрации также может использоваться при предварительной оценке воздействия вибрации.

Внимание! Значение эмиссии вибрации в каждом конкретном случае применения электроинструмента может отличаться от заявленного в зависимости от того, каким образом используется инструмент. Уровень вибрации может быть выше заявленного.

При оценке уровня вибрации для определения степени безопасности, предусмотренного 2002/44/ЕС для защиты людей, регулярно пользующихся электроинструментом при работе, нужно принимать во внимание уровень вибрации, реальные условия использования и способ использования инструмента, а также учитывать все этапы цикла работы - когда инструмент выключается, когда он работает на холостом ходу, а также время переключения с одного режима на другой.

Остаточные риски.

При работе с данным инструментом возможно возникновение дополнительных остаточных рисков, которые не вошли в описанные здесь правила техники безопасности. Эти риски могут возникнуть при неправильном или продолжительном использовании изделия и т. п.

Несмотря на соблюдение соответствующих инструкций по технике безопасности и использование предохранительных устройств, некоторые остаточные риски невозможно полностью исключить. К ним относятся:

- ◆ Травмы в результате касания вращающихся/движущихся частей.

- ◆ Травмы, которые могут произойти в результате смены деталей, ножей или дополнительных принадлежностей.
- ◆ Травмы, связанные с продолжительным использованием инструмента. При использовании любого инструмента в течение продолжительного периода времени, не забывайте делать перерывы.
- ◆ Ухудшение слуха.
- ◆ Ущерб здоровью в результате вдыхания пыли в процессе работы с инструментом (например, при обработке древесины, в особенности, дуба, бука и ДВП)

Условные обозначения на инструменте

На инструмент нанесены следующие обозначения:



Внимание! Во избежание риска получения травм, прочтите руководство по эксплуатации.

Дополнительные меры безопасности при работе с аккумуляторными батареями и зарядными устройствами

Аккумуляторные батареи

- ◆ Никогда не пытайтесь разобрать аккумуляторные батареи.
- ◆ Не подвергайте аккумуляторные батареи воздействию воды.
- ◆ Не оставляйте в местах, где температура превышает 40 °С.
- ◆ Заряжайте только при температуре 10 °С - 40 °С.
- ◆ Заряжайте аккумуляторные батареи только с зарядным устройством, которое прилагается к инструменту.
- ◆ При утилизации батарей следуйте инструкциям, указанным в разделе «Защита окружающей среды».



Не пытайтесь заряжать поврежденные аккумуляторные батареи.

Зарядные устройства

- ◆ Используйте свое зарядное устройство Stanley только для зарядки аккумуляторной батареи инструмента, с которым оно поставлялось. Использование аккумуляторных батарей другого типа может привести к взрыву, травмам и повреждениям.
- ◆ Не пытайтесь заряжать одноразовые батареи.
- ◆ Немедленно заменяйте поврежденный кабель питания.
- ◆ Не подвергайте зарядное устройство воздействию воды.
- ◆ Не вскрывайте зарядное устройство.
- ◆ Не разбирайте зарядное устройство.



Зарядное устройство можно использовать только в помещении.



Перед началом работы прочтите руководство по эксплуатации.

Электробезопасность



Ваше зарядное устройство имеет двойную изоляцию, поэтому не требует заземления. Необходимо обязательно убедиться в том, что напряжение источника питания соответствует указанному на паспортной табличке устройства. Никогда не пытайтесь заменить зарядное устройство на обычную сетевую вилку.

- ◆ Если поврежден сетевой кабель, его нужно заменить у производителя или в авторизованном сервисном центре Stanley, чтобы избежать проблем.

Составные части

Данный инструмент может содержать все или некоторые из перечисленных ниже составных частей.

1. Пусковой выключатель с регулировкой скорости
2. Кнопка блокировки пускового выключателя
3. Башмак
4. Аккумулятор (не входит в комплект поставки)
5. Зажимная муфта полотна

Рис. А

6. Зарядное устройство (не входит в комплект поставки)
7. Индикатор зарядки

Сборка

Внимание! Перед сборкой снимите аккумуляторную батарею с инструмента и убедитесь, что пыльное полотно остановлено. Полотно после работы может сильно нагреваться.

Установка пыльного полотна (Рис. В)

- ◆ Держите инструмент подальше от тела
- ◆ Поверните зажимную муфту полотна (5) в направлении, показанном на Рис. С
- ◆ Полностью вставьте хвостовик полотна (9) в зажимную муфту полотна (5).
- ◆ Отпустите зажимную муфту полотна (5), чтобы закрепить полотно на месте

Примечание: Полотно можно установить зубцами вверх для резки заподлицо

Извлечение пильного полотна (Рис. С)

Внимание! Опасность ожога: Не прикасайтесь к полотну непосредственно после использования. Соприкосновение с полотном может привести к травме.

- ◆ Поверните зажимную муфту полотна (5) в положение разблокировки
- ◆ Извлеките полотно (9)

Кнопка блокировки пускового выключателя

Инструмент оборудован кнопкой блокировки пускового выключателя для предотвращения случайного запуска.

- ◆ Чтобы заблокировать: передвиньте кнопку блокировки (2) в положение блокировки[Ⓘ].
- ◆ Чтобы разблокировать: передвиньте кнопку блокировки (2) в положение разблокировки[Ⓣ].

Установка и снятие аккумуляторной батареи (Рис. В)

- ◆ Для установки аккумуляторной батареи (4) совместите ее с приемным гнездом на инструменте. Вставьте аккумуляторную батарею в гнездо и надавите на нее, чтобы она встала на место.
- ◆ Чтобы извлечь батарею, нажмите на отпирающие кнопки (8), одновременно вытягивая батарею из гнезда.

Использование

Внимание! Инструмент должен работать в обычном режиме. Избегайте перегрузок.

Зарядка аккумуляторной батареи (Рис. А)

Аккумуляторную батарею нужно заряжать перед первым использованием и каждый раз, когда заряда недостаточно для выполняемых работ. Во время зарядки аккумуляторная батарея нагревается, это нормально и не означает неисправность.

Внимание! Не заряжайте батарею при температуре окружающей среды ниже 10 °С или выше 40 °С. Рекомендуемая температура при зарядке: приблизительно 24 °С.

Примечание: Зарядное устройство не будет заряжать аккумуляторную батарею, если температура элемента аккумуляторной батареи ниже 0 °С или выше 40 °С. Аккумуляторную батарею нужно оставить в зарядном устройстве; зарядка начнется автоматически, когда температура элемента аккумуляторной батареи выровняется до нормальных значений.

- ◆ Вставьте батарею (4) в зарядное устройство (6) для выполнения зарядки. Аккумуляторная батарея устанавливается в зарядное устройство только одним способом. Не прилагайте чрезмерные усилия.

Проследите, чтобы батарея полностью вошла в зарядное устройство.

- ◆ Подключите зарядное устройство к сети и включите его.

Индикатор заряда (7) начнет мигать зеленым (медленно). Зарядка завершена если индикатор (7) зарядки будет непрерывно гореть зеленым. Аккумуляторную батарею можно оставить подключенной к зарядному устройству на неопределенное время, пока горит светодиод. Светодиод начнет мигать зеленым светом (зарядка), когда зарядное устройство будет периодически подзаряжать аккумуляторную батарею. Индикатор зарядки (7) будет гореть, пока аккумуляторная батарея находится в подключенном к сети зарядном устройстве.

- ◆ Заряжайте разряженные батареи 1 раз в неделю. Срок службы аккумуляторной батареи значительно уменьшается, если ее хранить в разряженном состоянии.

Хранение аккумуляторной батареи в зарядном устройстве

Зарядное устройство и аккумуляторную батарею можно оставить подключенными к сети с горящим светодиодным индикатором. Зарядное устройство будет поддерживать полную зарядку аккумуляторной батареи.

Диагностика зарядного устройства

При обнаружении слабости или повреждения аккумуляторной батареи, индикатор зарядки (7) начнет мигать красным светом в ускоренном режиме. Выполните следующие действия:

- ◆ Извлеките и повторно вставьте батарею (4).
- ◆ Если индикатор продолжает часто мигать красным светом, вставьте другую аккумуляторную батарею, чтобы убедиться, что процесс зарядки проходит в правильном режиме.
- ◆ Если сменная аккумуляторная батарея заряжается правильно, это означает, что первоначальная аккумуляторная батарея повреждена и должна быть сдана в сервисный центр на утилизацию.
- ◆ Если при установке сменной батареи наблюдается то же частое мигание, что и при установке первоначальной батареи, отнесите зарядное устройство в сервисный центр для тестирования.

Примечание: На определение неисправности аккумуляторной батареи может понадобиться приблизительно 60 минут. Если аккумуляторная батарея очень горячая или очень холодная, красный светодиод будет попеременно мигать быстро и медленно.

Включение и выключение

Пусковой выключатель с регулировкой скорости позволяет работать с разными скоростями для наилучшего распила различных материалов.

- ◆ Чтобы включить инструмент, нажмите на пусковой выключатель с регулировкой скорости (1).
- ◆ Чтобы выключить инструмент, отпустите пусковой выключатель с регулировкой скорости (1).

Резание

- ◆ Всегда держите инструмент двумя руками.
- ◆ Прежде чем приступить к резке, дайте пиле поработать несколько секунд без нагрузки.
- ◆ Не применяйте чрезмерное давление к инструменту во время выполнения резки.
- ◆ По возможности, прижимайте башмак (3) к поверхности заготовки. Это позволит улучшить управление инструментом и уменьшает вибрацию, а также предупреждает повреждение полотна.

Советы по оптимальному использованию Распил дерева

- ◆ Надежно закрепите заготовку и удалите из нее все гвозди и другие металлические предметы.
- ◆ Выполняйте распил, удерживая пилу двумя руками. Башмак (3) при этом следует плотно прижимать к заготовке.

Резка заподлицо

Компактный дизайн электродвигателя пилы с возвратно-поступательным движением и отклоняющимся башмаком позволяет выполнять обрезку полов, углов и других труднодоступных участков.

Для максимальной эффективности отреза заподлицо:

- ◆ Вставьте хвостовик полотна в зажим полотна вверх зубьями вверх.
- ◆ Отрегулируйте угол рукоятки инструмента, чтобы пила была как можно ближе к рабочей поверхности.

Пиление металла

Учитывайте, что распил металла занимает гораздо больше времени, чем распил древесины.

- ◆ Используйте пильное полотно, которое подходит для распила металла. Используйте полотно с мелкими зубьями для черных металлов и полотна с более крупными зубьями для цветных металлов.
- ◆ Для пиления тонколистового металла, прикрепите деревянную панель к обратной стороне заготовки и выполняйте распил получившейся сэндвич-панели.
- ◆ Нанесите слой смазки вдоль линии разреза.

Выпиливание пазов в дереве

- ◆ Измерьте и нанесите разметку для резки.

- ◆ Установите пильное полотно, подходящее для выпиливания пазов.
- ◆ Установите башмак пилы (3) на заготовку таким образом, чтобы полотно находилось под нужным углом для вырезания паза.
- ◆ Включите инструмент и медленно введите полотно в заготовку. Проследите за тем, чтобы башмак (3) все время опирался на заготовку.

Обрезка веток

Этим инструментом можно резать ветки, диаметром до 25 мм.

Внимание! Не используйте этот инструмент, работая на дереве, на лестнице или на любой другой неустойчивой поверхности. Следите за тем, куда падают ветки.

- ◆ Режьте ветки в направлении вниз и от себя.
- ◆ Отрезайте ветки ближе к стволу или основной ветке.

Вертикальный распил

Этот инструмент позволяет выполнять распилы около углов и других труднодоступных мест.

- ◆ Вставьте хвостовик пильного полотна в зажим полотна зубьями вверх.
- ◆ Держите инструмент башмаком (3) вниз, как можно ближе к рабочей поверхности.
- ◆ Режьте вперед и от себя.

Дополнительные принадлежности

Производительность вашего инструмента напрямую зависит от используемых принадлежностей.

Принадлежности Stanley изготовлены в соответствии с самыми высокими стандартами качества и способны увеличить производительность вашего инструмента. Используя эти принадлежности, вы достигнете наилучших результатов в работе.

Пильные полотна

На пилу можно устанавливать пильные полотна длиной до 30 см. Всегда используйте самые короткие полотна, которые подходят для проекта, но достаточно длинные для того, чтобы можно было выполнять распил. Чем длиннее полотна, тем больше вероятность того, что оно погнется или повредится во время использования. Во время работы некоторые полотна могут вибрировать или дрожать, если пила не соприкасается с рабочей деталью.

Техническое обслуживание

Ваш инструмент Stanley рассчитан на работу в течение продолжительного времени при минимальном техническом обслуживании. Срок службы и надежность инструмента увеличивается при правильном уходе и регулярной чистке.

Зарядное устройство не требует никакого обслуживания кроме регулярной чистки.

Внимание! Перед выполнением любых работ по обслуживанию инструмента, извлеките аккумуляторную батарею из инструмента. Перед чистой зарядного устройства отключите его от источника питания.

- ◆ Регулярно очищайте вентиляционные отверстия и зарядное устройство с помощью мягкой щетки или сухой тканевой салфетки.
- ◆ Регулярно очищайте корпус двигателя с помощью влажной ткани.
- ◆ Не используйте никакие абразивные чистящие средства или средства на основе растворителей.
- ◆ Регулярно раскрывайте держатель насадок и очищайте его от грязи.

Защита окружающей среды



Отдельная утилизация. Это изделие нельзя утилизировать с обычными бытовыми отходами.

Если продукт Stanley потребует замены или станет не нужен, не утилизируйте его вместе с бытовыми отходами. Утилизацию этого продукта нужно производить в пунктах раздельного сбора мусора.



Система раздельного сбора отработавших изделий и упаковочных материалов позволяет перерабатывать их и использовать повторно. Повторное использование переработанных материалов помогает защитить окружающую среду от загрязнения и сокращает потребность в сырье.

Местные нормативы могут предусматривать утилизацию электрооборудования отдельно от бытовых отходов на муниципальных свалках или его возврат продавцу, у которого изделие было приобретено.

Stanley Europe осуществляет прием и переработку изделий Stanley по окончании срока их службы. Чтобы воспользоваться этой услугой, верните изделие любому уполномоченному специалисту по ремонту, который осуществляет их сбор от нашего лица.

Адрес ближайшего уполномоченного специалиста по ремонту можно получить, обратившись в местное представительство компании Stanley Europe по адресу, указанному в настоящем руководстве. Кроме того, список

авторизованных агентов по ремонту Stanley Europe и подробную информацию о послепродажном обслуживании и контактах можно найти на веб-сайте: www.2helpU.com

Аккумуляторные батареи



Аккумуляторные батареи Stanley могут заряжаться многократно. По окончании срока эксплуатации их следует утилизировать, соблюдая при этом необходимые меры по защите окружающей среды:

- ◆ Разрядите батарею до конца и извлеките ее из инструмента.
- ◆ NiCd, NiMH и Li-Ion аккумуляторы подлежат переработке. Сдайте их нашему дилеру или в местный центр вторичной переработки.

Технические характеристики

STSC1820		
Входное напряжение	V _{вход. макс.}	18
Скорость без нагрузки	мин.	0-3000
Длина хода	мм	25
Вес	кг	2,054

Зарядное устройство		не входит в комплект поставки
Входное напряжение	V _{вход. макс.}	
Выходное напряжение	V _{выход. макс.}	
Ток	A	
Приблизительное время зарядки	мин.	

Аккумуляторная батарея		не входит в комплект поставки
Напряжение	V _{номинал.}	
Емкость	Aч	
Тип		

Уровень звукового давления в соответствии с EN 60745:	
Звуковое давление (L _w)	84,5 дБ(A), погрешность (K) 3 дБ(A)
Акустическая мощность (L _w)	95,5 дБ(A), погрешность (K) 3 дБ(A)

Сумма величин вибрации (сумма векторов по трем осям), измеренных в соответствии со стандартом EN 60745:	
Распил ДСП (a _h)	18,0 м/с ² , погрешность (K) 1,5 м/с ²
Резка деревянных балок (a _h)	13,3 м/с ² , погрешность (K) 1,5 м/с ²



Приложение к руководству по эксплуатации электрооборудования для определения месяца производства по номеру текущей календарной недели года

Электрооборудование торговых марок "Dewalt", "Stanley", "Stanley FatMAX", "BLACK+DECKER".

Директивы 2014/30/EU ЕВРОПЕЙСКОГО ПАРЛАМЕНТА И СОВЕТА от 26 февраля 2014 г. "О гармонизации законодательств Государств-членов ЕС в области электромагнитной совместимости", 2006/42/ЕС ЕВРОПЕЙСКОГО ПАРЛАМЕНТА И СОВЕТА от 17 мая 2006 г. "О машинах и оборудовании", 2014/35/EU ЕВРОПЕЙСКОГО ПАРЛАМЕНТА И СОВЕТА от 26 февраля 2014 г. "О гармонизации законодательств государств-членов в области размещения на рынке электрооборудования, предназначенного для использования в определенных пределах напряжения". Серийный выпуск.

ТОВАР СЕРТИФИЦИРОВАН

Орган по сертификации "РОСТЕСТ- Москва", Адрес: 119049, г. Москва, улица Житная, д. 14, стр. 1; 117418, Москва, Нахимовский просп., 31 (фактический), Телефон: (499) 1292311, (495) 6682893, Факс: (495) 6682893, E-mail: office@rostest.ru

Изготовитель: Изготовитель: Блэк энд Деккер Холдингс ГмбХ, Германия, 65510, Идштайн, ул. Блэк энд Деккер, 40, тел. +496126212790.

Уполномоченное изготовителем юрлицо:

ООО "Стэнли Блэк энд Деккер", 117485, город Москва, улица Обручева, дом 30/1, строение 2
Телефон: + 7 (495) 258-3981, Факс: + 7 (495) 258-3984, E-mail: info@dewalt.com

Сведения о импортере указаны в сопроводительной документации и/или на упаковке

Хранение.

Необходимо хранить в сухом месте, вдали от источников повышенных температур и воздействия солнечных лучей. При хранении необходимо избегать резкого перепада температур. Хранение без упаковки не допускается

Срок службы.

Срок службы изделия составляет 5 лет. Не рекомендуется к эксплуатации по истечении 5 лет хранения с даты изготовления без предварительной проверки.

Дата изготовления (код даты) указана на корпусе инструмента. Код даты, который также включает год изготовления, отштампован на поверхности корпуса изделия.

Пример:

2014 46 XX, где 2014 –год изготовления, 46-неделя изготовления.

Определить месяц изготовления по указанной неделе изготовления можно согласно приведенной ниже таблице.

Транспортировка.

Категорически не допускается падение и любые механические воздействия на упаковку при транспортировке. При разгрузке/погрузке не допускается использование любого вида техники, работающей по принципу зажима упаковки.

Перечень критических отказов, возможные ошибочные действия персонала.

Не допускается эксплуатация изделия:

- При появлении дыма из корпуса изделия
- При поврежденном и/или оголенном сетевом кабеле
- при повреждении корпуса изделия, защитного кожуха, рукоятки
- при попадании жидкости в корпус
- при возникновении сильной вибрации
- при возникновении сильного искрения внутри корпуса

Критерии предельных состояний.

- При поврежденном и/или оголенном сетевом кабеле
- при повреждении корпуса изделия

Месяц	Январь	Февраль	Март	Апрель	Май	Июнь	Июль	Август	Сентябрь	Октябрь	Ноябрь	Декабрь	Год производства
Неделя	1	5	9	14	18	23	27	31	36	40	44	49	2018
	2	6	10	15	19	24	28	32	37	41	45	50	
	3	7	11	16	20	25	29	33	38	42	46	51	
	4	8	12	17	21	26	30	34	39	43	47	52	
Неделя			13		22			35			48		2019
	1	6	10	14	18	23	27	31	36	40	45	49	
	2	7	11	15	19	24	28	32	37	41	46	50	
	3	8	12	16	20	25	29	33	38	42	47	51	
	4	9	13	17	21	26	30	34	39	43	48	52	
Неделя					22			35		44			2020
	1	6	10	14	19	23	27	32	36	40	45	49	
	2	7	11	15	20	24	28	33	37	41	46	50	
	3	8	12	16	21	25	29	34	38	42	47	51	
	4	9	13	17	22	26	30	35	39	43	48	52	
Неделя				18			31			44			2021
	2	6	10	14	19	23	27	32	36	41	45	49	
	3	7	11	15	20	24	28	33	37	42	46	50	
	4	8	12	16	21	25	29	34	38	43	47	51	
	5	9	13	17	22	26	30	35	39	44	48	52	
Неделя				18			31		40			1	2022
	2	6	10	15	19	23	28	32	36	41	45	49	
	3	7	11	16	20	24	29	33	37	42	46	50	
	4	8	12	17	21	25	30	34	38	43	47	51	
	5	9	13	18	22	26	31	35	39	44	48	52	
			14		27			40			1		

Информация об инструменте

Наименование инструмента	
Модель	
Наименование продавца	
Дата продажи	

М.П.
Продавца

Серийный номер / Дата производства

Инструмент	
Зарядное устройство	
Аккумулятор 1	
Аккумулятор 2	

На сайте www.2helpU.com доступны следующие функции:

- Список авторизованных сервисных центров
- Удобный поиск ближайшего сервисного центра
- Руководство по эксплуатации
- Технические характеристики
- Список деталей и запасных частей
- Схема сборки инструмента



Также данную информацию вы можете получить, позвонив по телефону:

8(800) 1000 876

ОТМЕТКА О ПРОВЕДЕНИИ СЕРВИСНОГО ОБСЛУЖИВАНИЯ

№1	№2	№3	№4
№ заказа	№ заказа	№ заказа	№ заказа
Дата поступления	Дата поступления	Дата поступления	Дата поступления
Дата ремонта	Дата ремонта	Дата ремонта	Дата ремонта
Печать и подпись сервисного центра	Печать и подпись сервисного центра	Печать и подпись сервисного центра	Печать и подпись сервисного центра

N865433 RUS/UA

06/2020