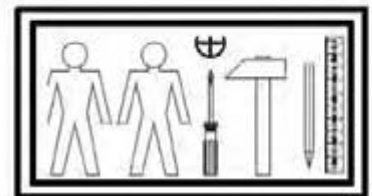
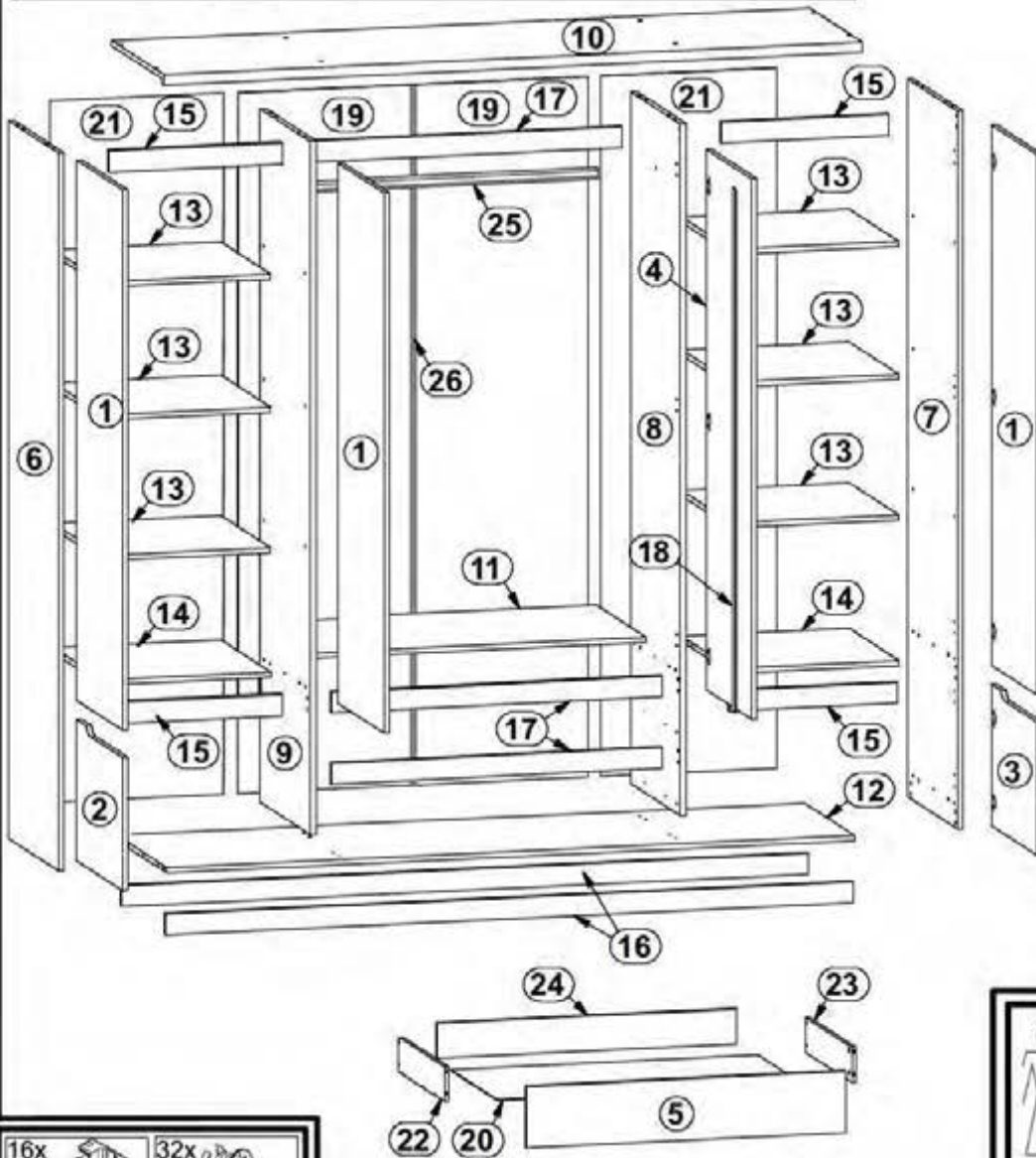
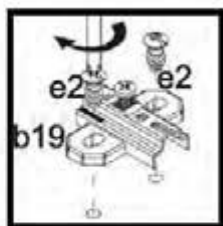
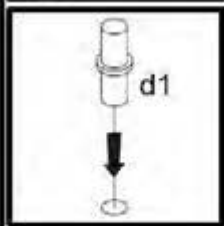
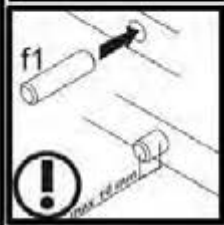
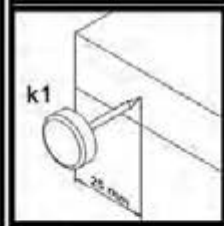
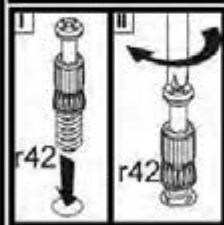
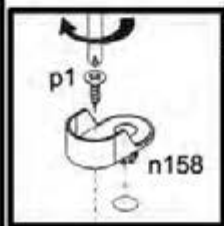
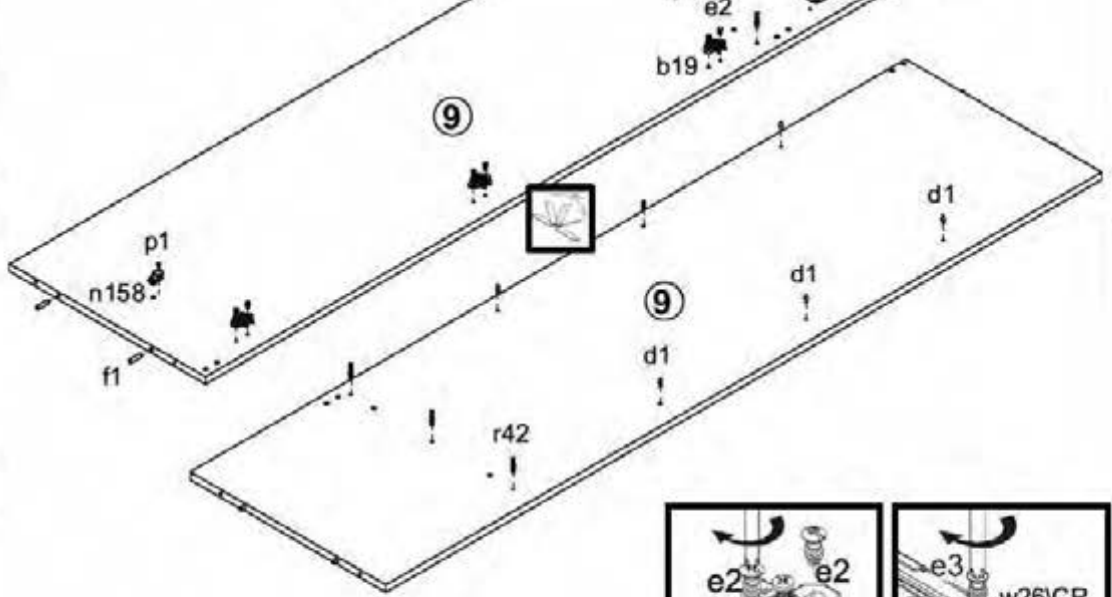
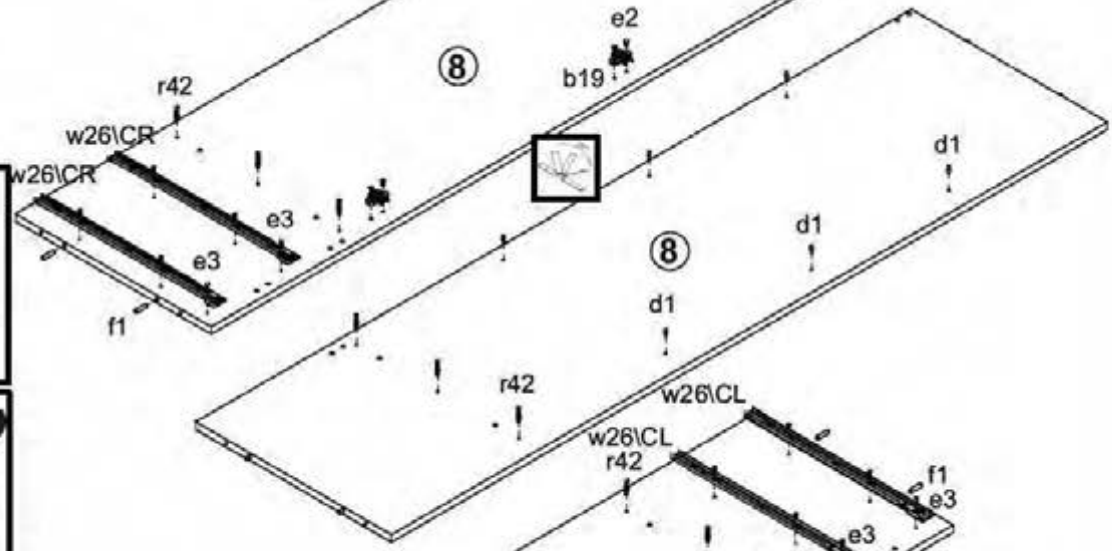
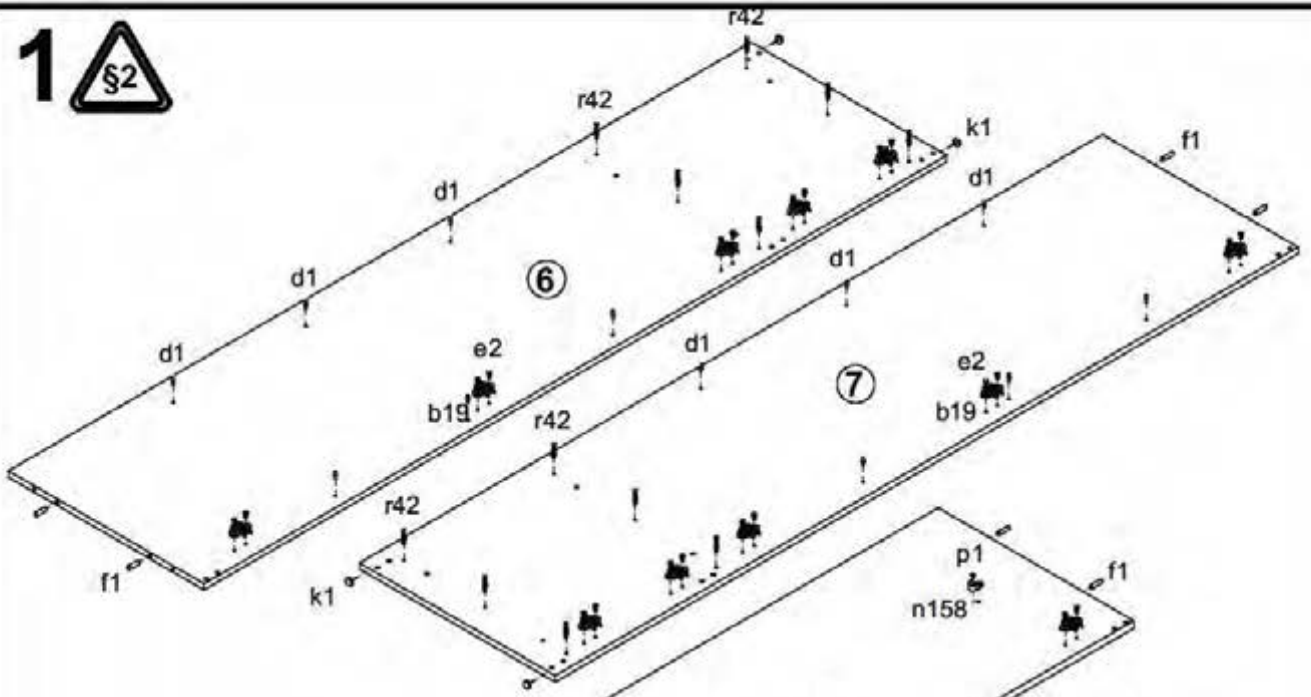


A	B	C		D	A	B	C		D
1	S162 0010	1543	494	4/5	14	S162 3310	488	540	3/5
2	S162 0011	404	494	5/5	15	S162 4405	488	60	3/5
3	S162 0012	404	494	5/5	16	S162 4441	2008	60	1/5
4	S162 0014	1543	494	4/5	17	S162 4440	996	60	3/5
5	S162 0040A	1002	176	5/5	18	S162 504	1493	29	1/5
6	S162 1150	2050	540	1/5	19	S162 9940	2000	506	1/5
7	S162 1115	2050	540	1/5	20	S162 9977	961	505	3/5
8	S162 1116	1975	540	2/5	21	S162 9912	2000	510	1/5
9	S162 1151	1975	540	2/5	22	BB 513	500	100	3/5
10	S162 2205	2042	566	2/5	23	BB 514	500	100	3/5
11	S162 3350	996	540	3/5	24	S162 540A	939	100	3/5
12	S162 3351	2008	540	1/5	25	dr 992	992	30	3/5
13	S162 3309	487	539	3/5	26	Lh 1970	1970	14	1/5

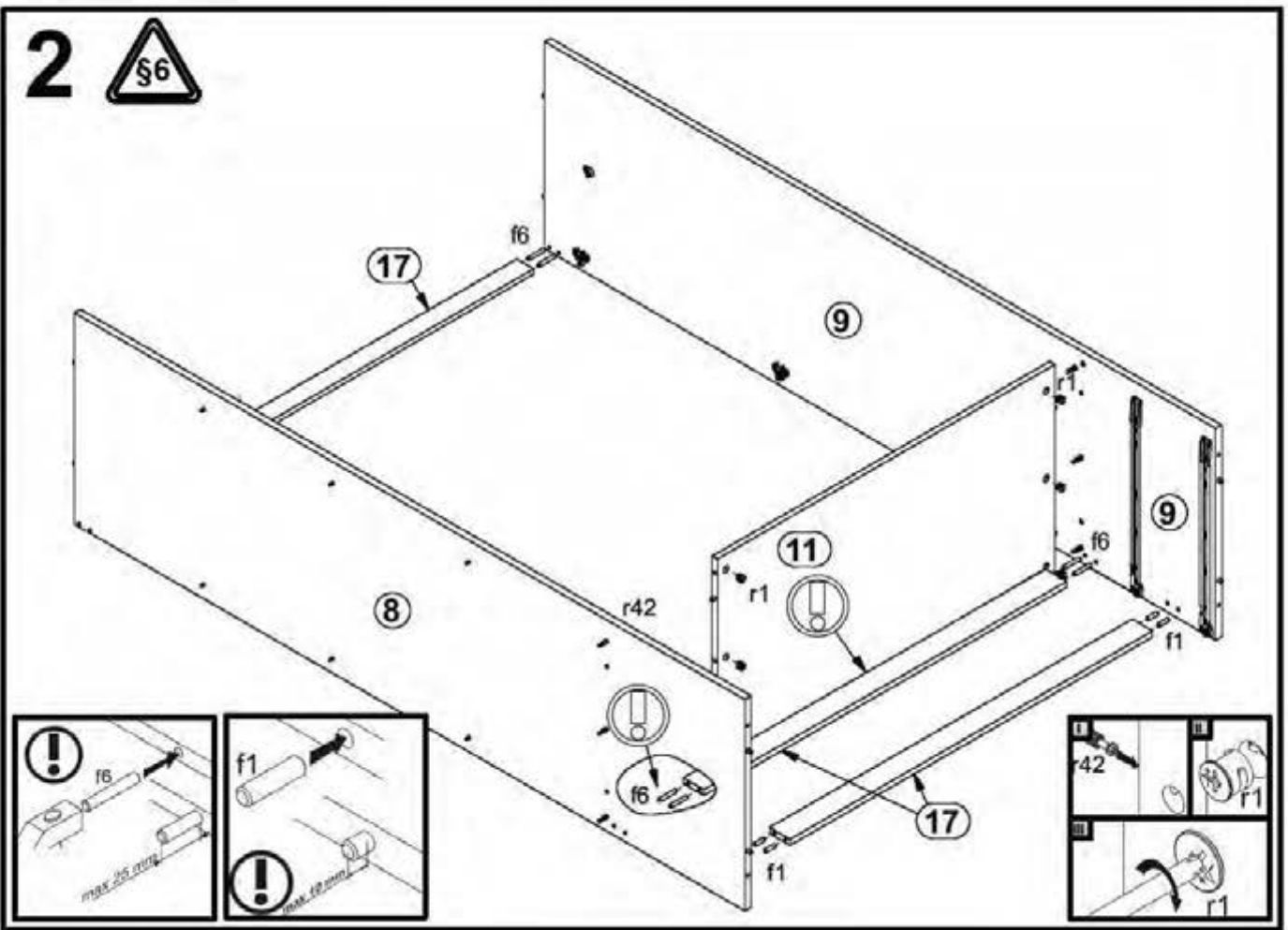


16x a68	32x r1	12x e1	12x e19	32x e2	12x e3	52x f1	8x f6	8x f25
16x b19	24x d1	12x e1	2x n158	2x p1	2x p27	18x p38	32x p51	2x p25
6x k1	150x l1	1x n56	2x w26\DL	2x w26\DR	1x z1	2x t34	2x p35	
32x r42	2x w26\CL	2x w26\CR	2x w26\DL	2x w26\DR				

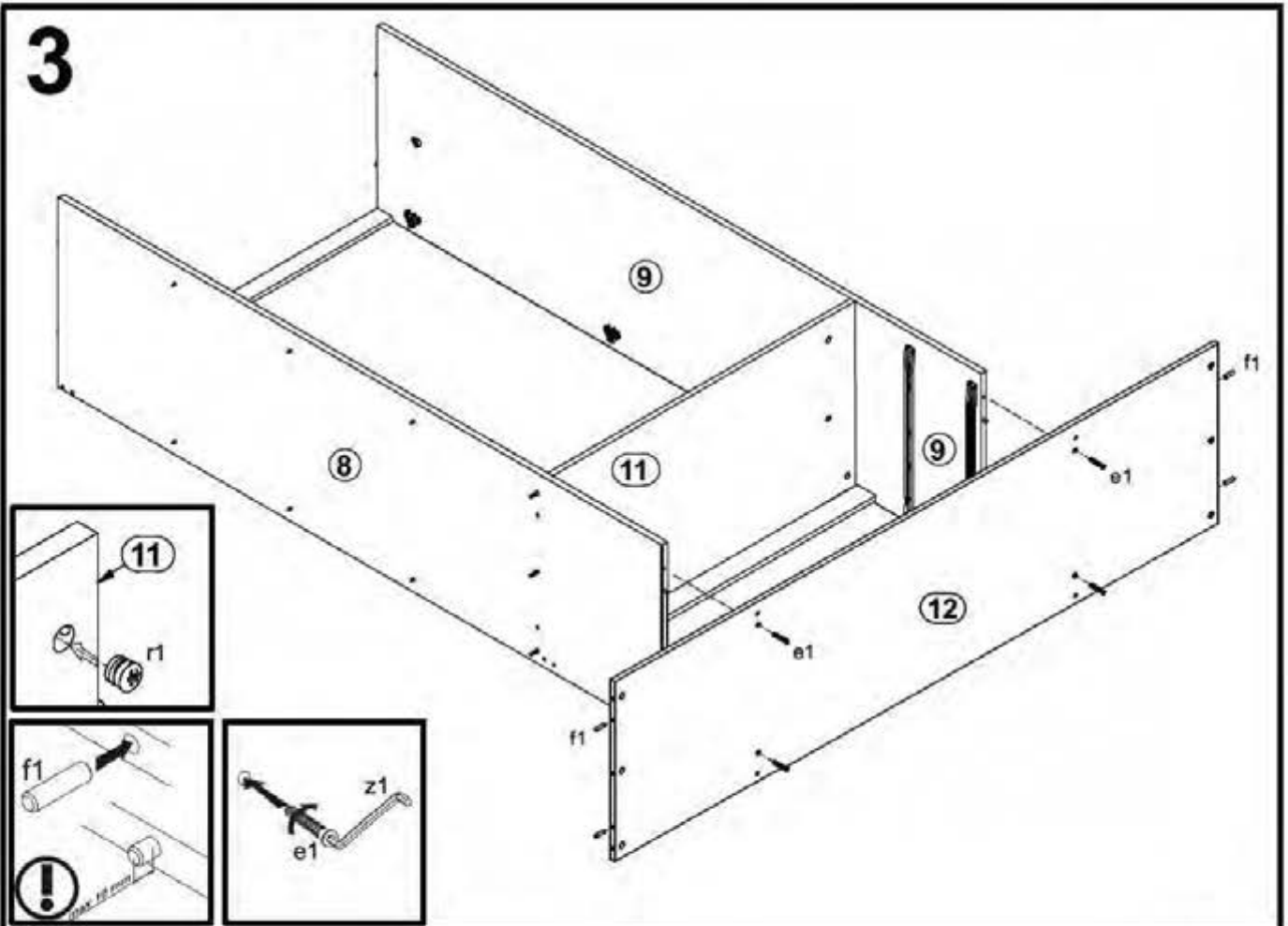
1 



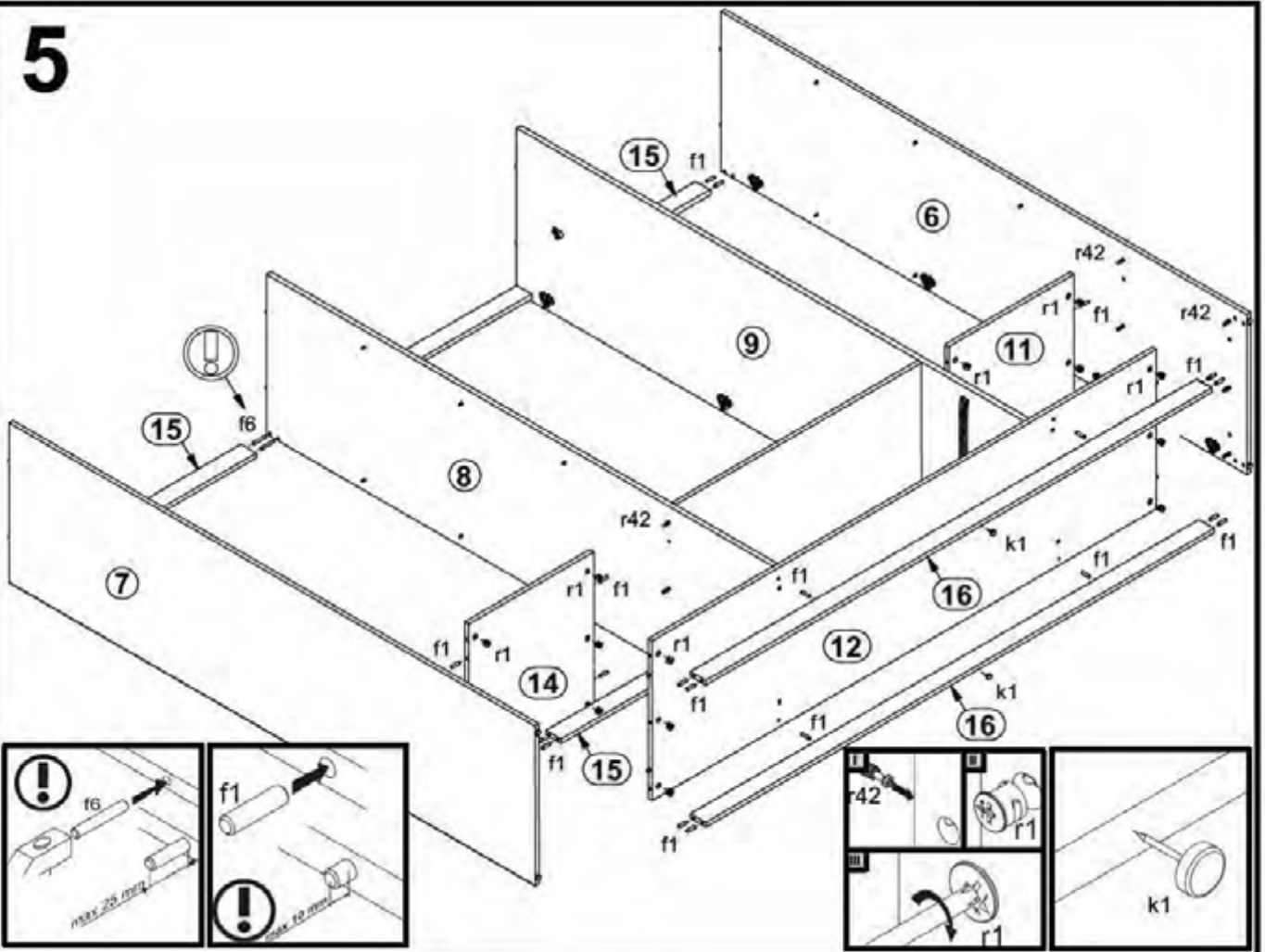
# 2



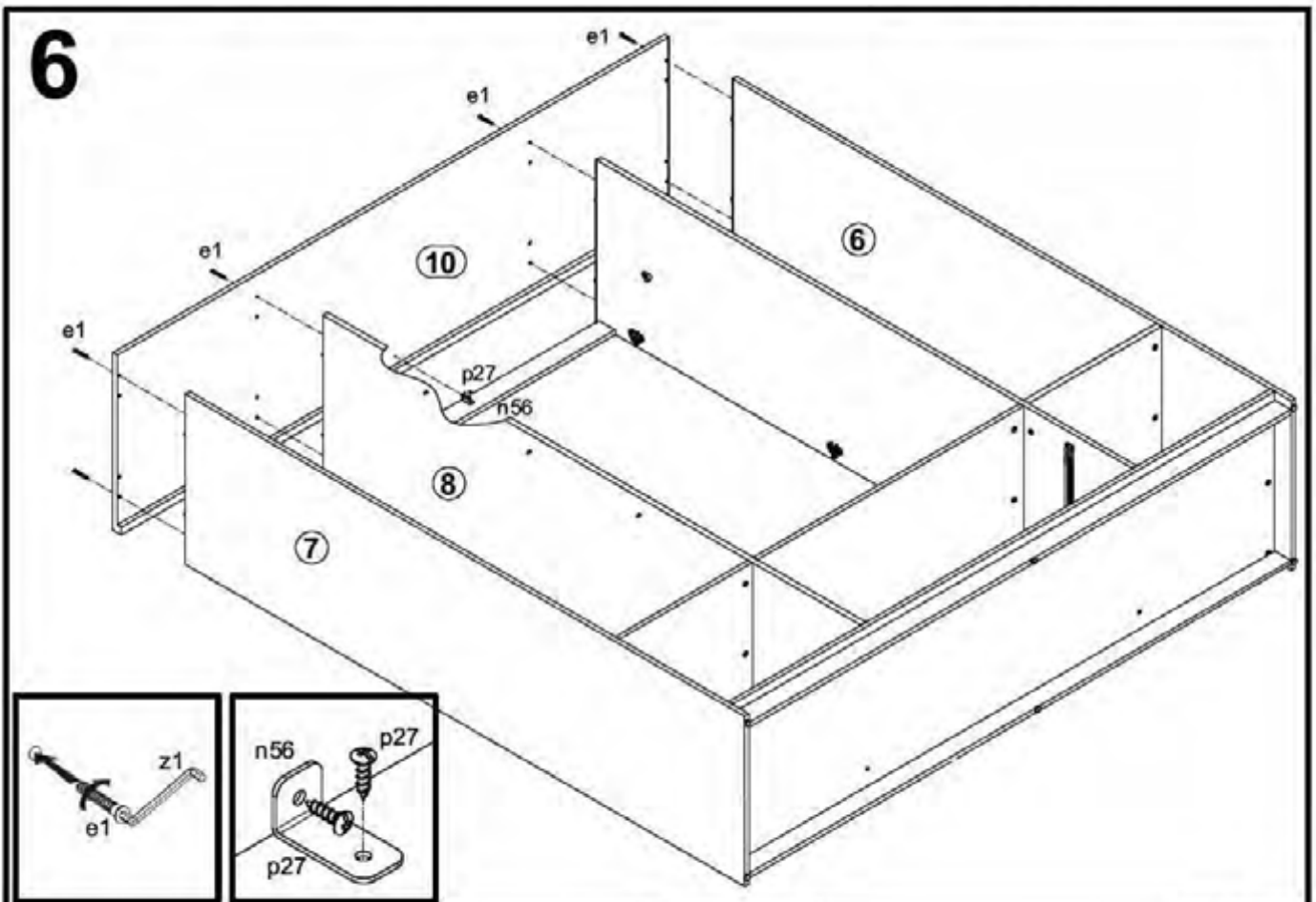
# 3



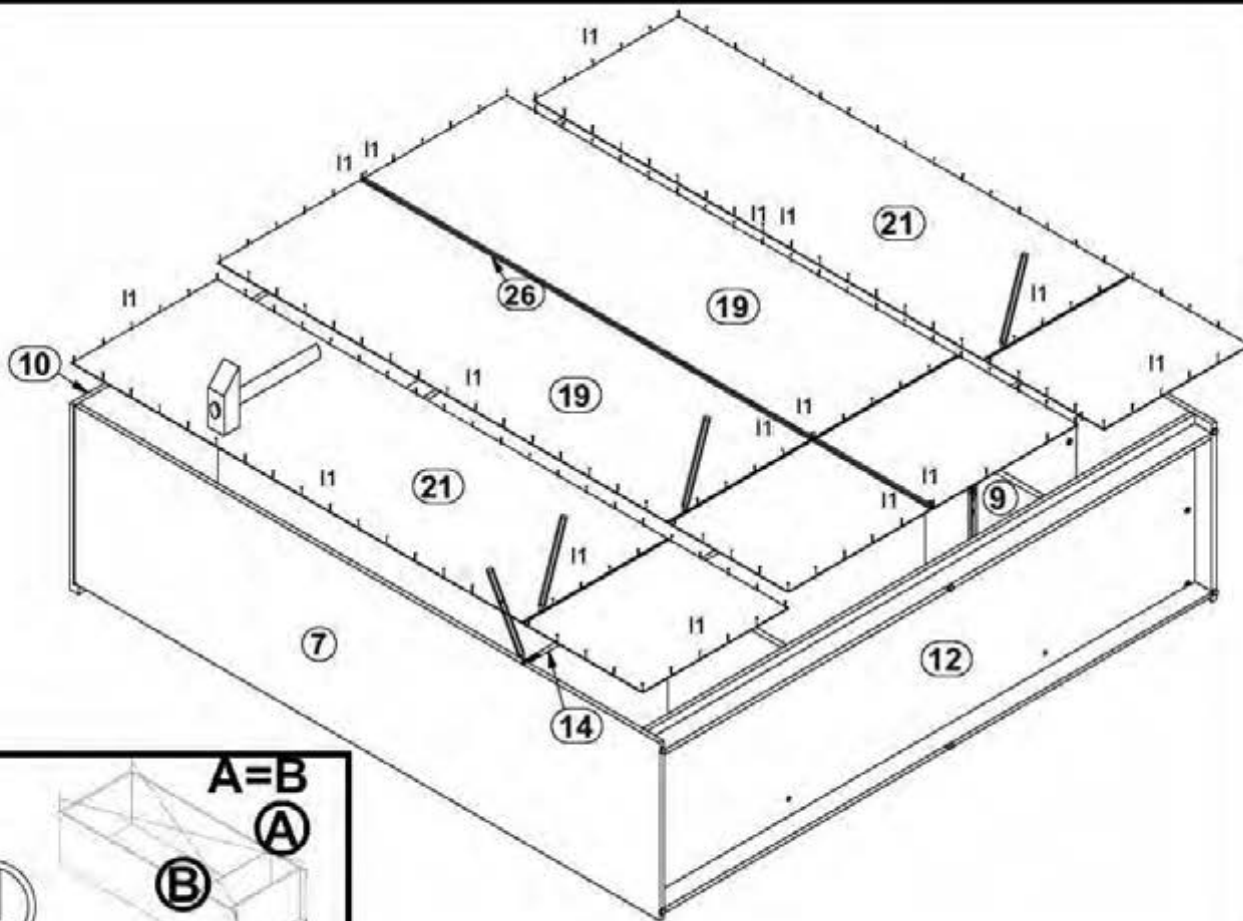
# 5



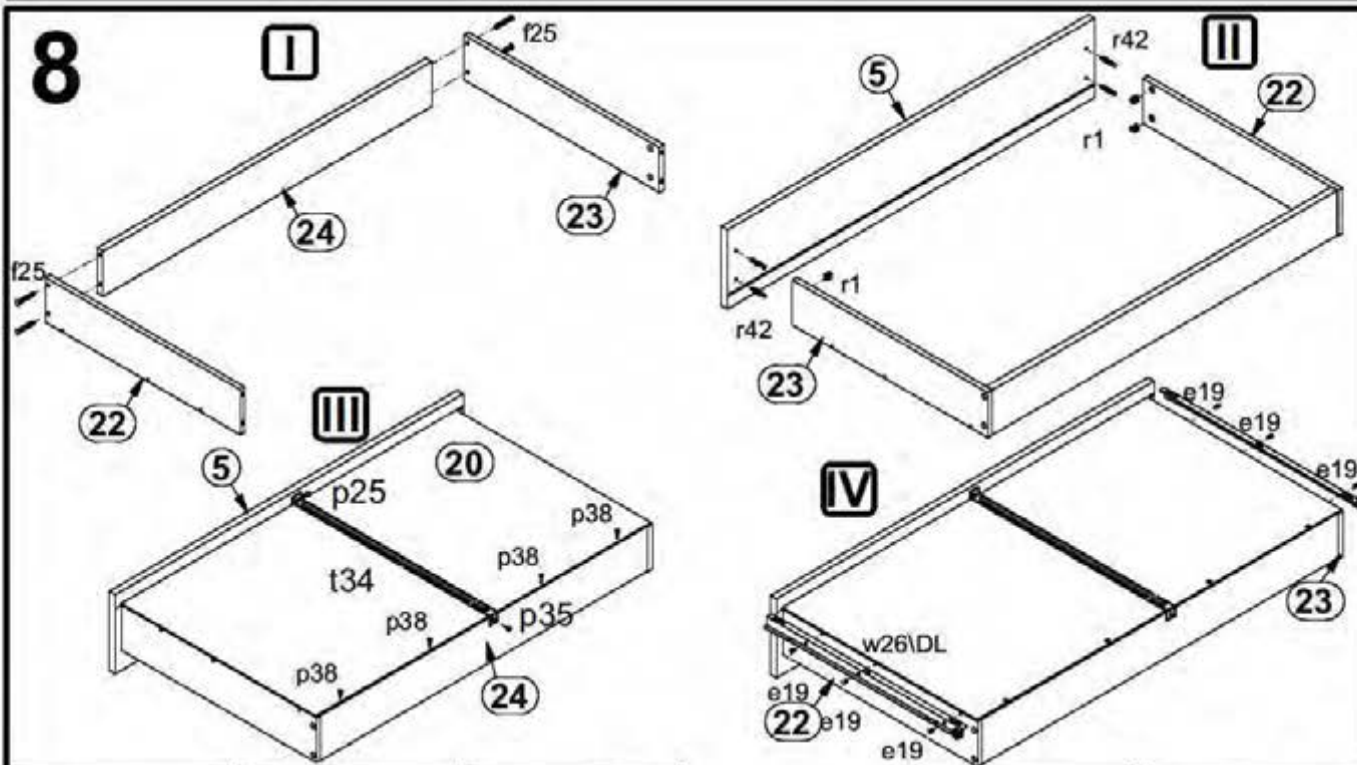
# 6



# 7



# 8



# 9

