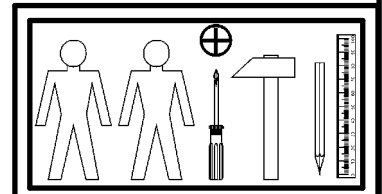
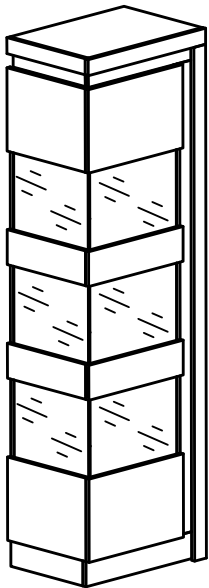
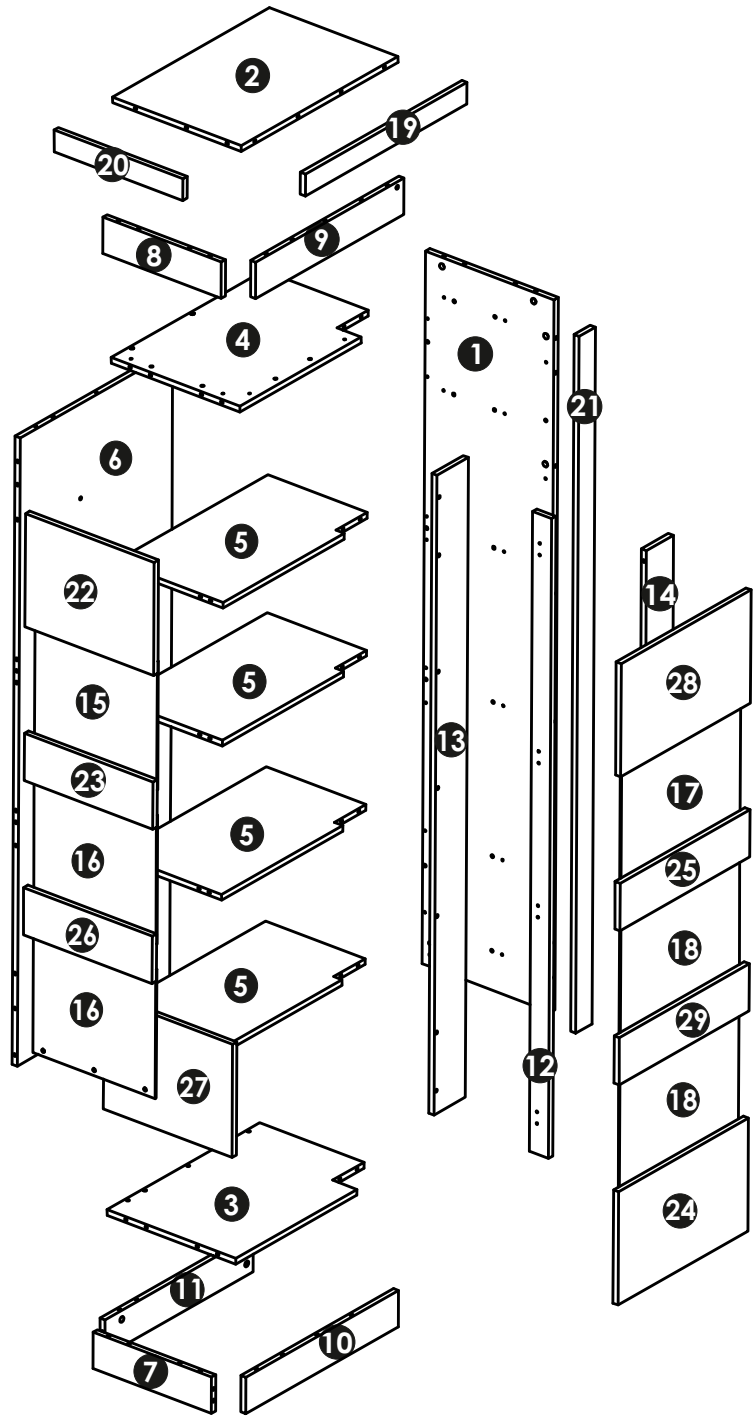
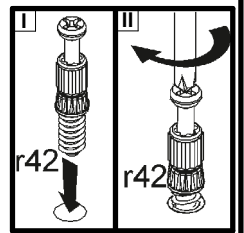
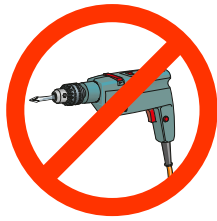
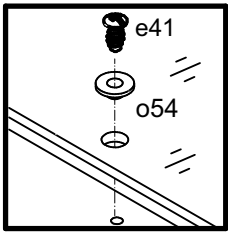
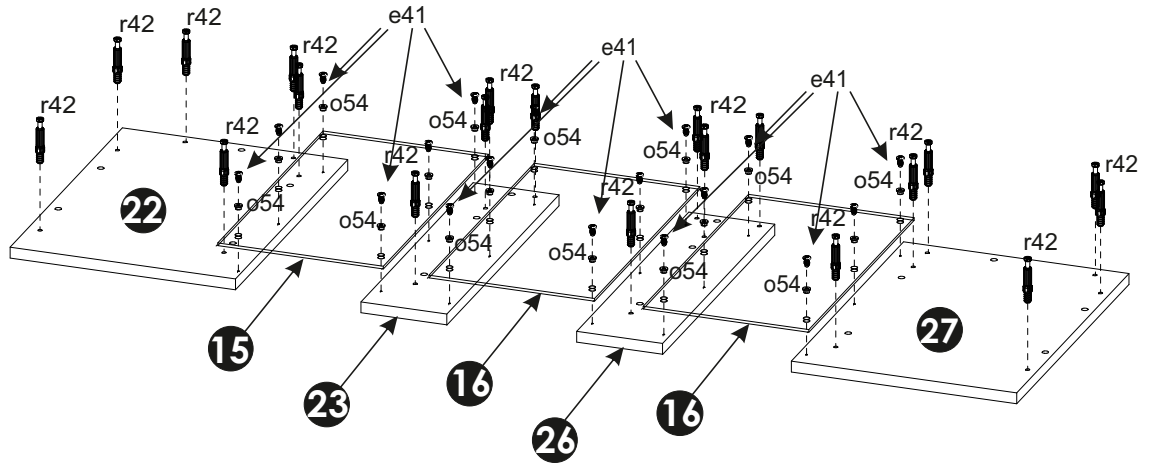


| A  | B       | C    | D   |     |
|----|---------|------|-----|-----|
| 1  | N61-155 | 1959 | 404 | 1/5 |
| 2  | N61-229 | 581  | 404 | 2/5 |
| 3  | N61-230 | 565  | 404 | 2/5 |
| 4  | N61-333 | 565  | 404 | 2/5 |
| 5  | N61-334 | 565  | 338 | 2/5 |
| 6  | N61-462 | 1727 | 565 | 1/5 |
| 7  | N61-463 | 372  | 100 | 1/5 |
| 8  | N61-450 | 372  | 100 | 1/5 |
| 9  | N61-464 | 549  | 100 | 1/5 |
| 10 | N61-467 | 565  | 100 | 1/5 |
| 11 | N61-465 | 549  | 100 | 1/5 |
| 12 | N61-599 | 1759 | 60  | 1/5 |
| 13 | N61-600 | 1759 | 116 | 1/5 |
| 14 | N61-601 | 1759 | 100 | 1/5 |
| 15 | N61-576 | 384  | 353 | 3/5 |
| 16 | N61-577 | 384  | 354 | 3/5 |
| 17 | N61-578 | 441  | 353 | 4/5 |
| 18 | N61-579 | 441  | 354 | 4/5 |
| 19 | N61-602 | 598  | 60  | 1/5 |
| 20 | N61-603 | 404  | 60  | 1/5 |
| 21 | N61-604 | 1916 | 60  | 1/5 |
| 22 | N61-755 | 311  | 404 | 5/5 |
| 23 | N61-756 | 130  | 404 | 5/5 |
| 24 | N61-737 | 311  | 481 | 5/5 |
| 25 | N61-758 | 130  | 481 | 5/5 |
| 26 | N61-759 | 130  | 404 | 5/5 |
| 27 | N61-760 | 311  | 404 | 5/5 |
| 28 | N61-741 | 311  | 481 | 5/5 |
| 29 | N61-763 | 130  | 481 | 5/5 |

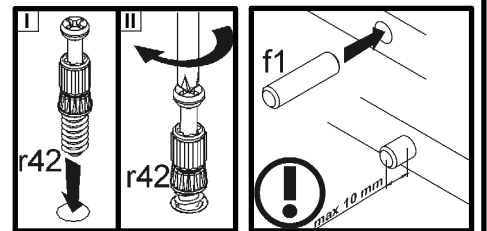
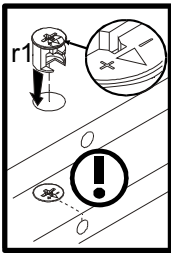
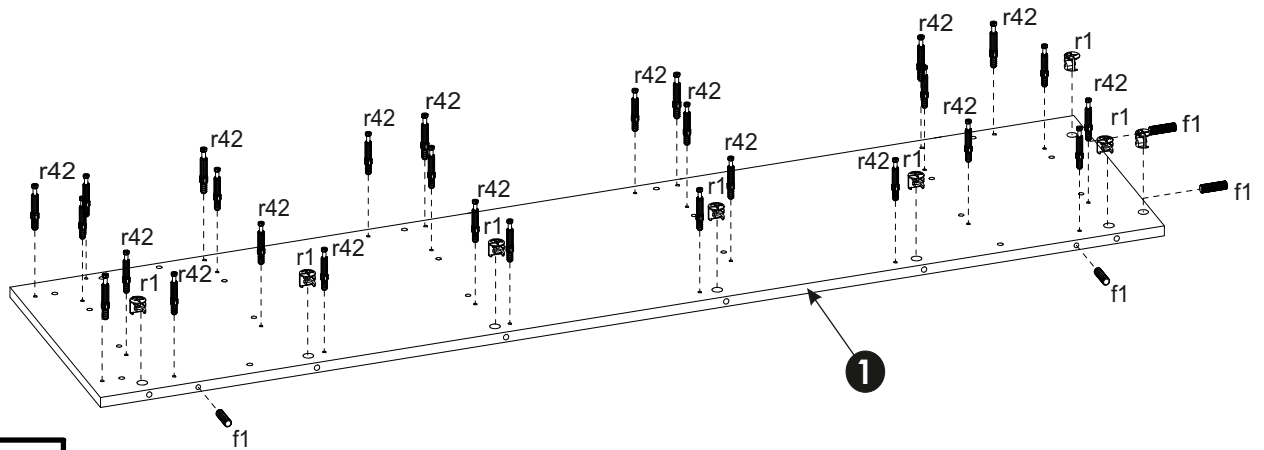


|                          |                   |                      |                      |                             |                       |                     |                |                |
|--------------------------|-------------------|----------------------|----------------------|-----------------------------|-----------------------|---------------------|----------------|----------------|
| 4x  a44                  | 4x  b19           | 11x  e1<br>Ø7x50 mm  | 42x  e41<br>φ5x12 mm | 42x  o54<br>φ5.3/φ8.3x4.8mm | 8x  p51<br>Ø3.5x15 mm | 70x  f1<br>Ø8x30 mm | 4x  k1         | 1x  z1<br>4 mm |
| 96x  r1<br>Ø15x12 mm #16 | 96x  r42<br>20/11 | 1x  f35<br>φ10x50 mm | 1x  p17<br>φ5x60 mm  | 1x  n14<br>81x21x15/1.5mm   | 2x  p38<br>Ø3.5x16 mm | 2x  o21<br>silikon  | 24x  s2<br>Ø16 |                |
| 3x  o60/1                | 3x  o60/2         | 1x  o83<br>L=950 mm  | 1x  o83<br>L=1900 mm | 1x  o43/6.6                 |                       |                     |                |                |
| 1x  y10<br>superglue gel |                   |                      |                      |                             |                       |                     |                |                |

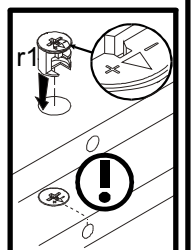
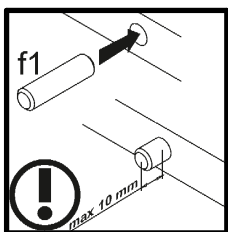
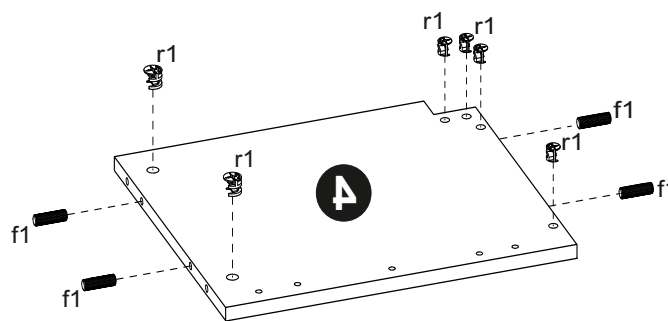
# 1



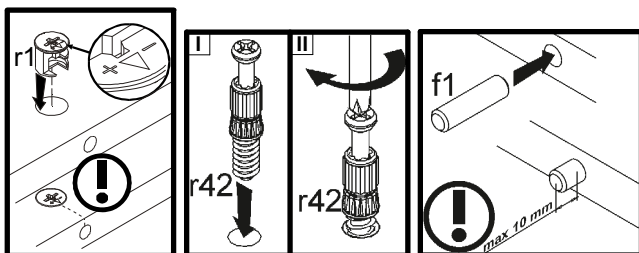
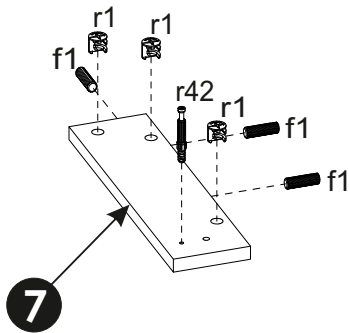
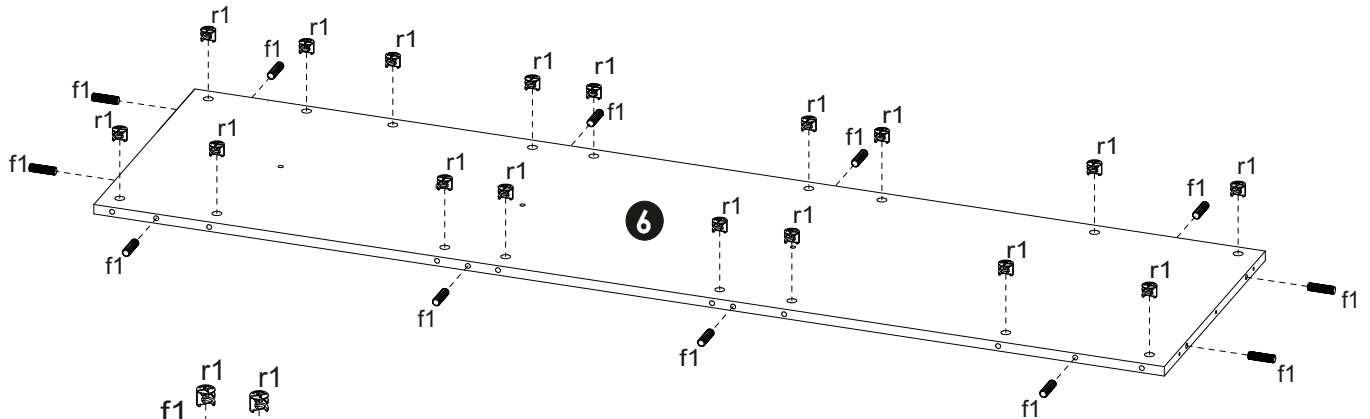
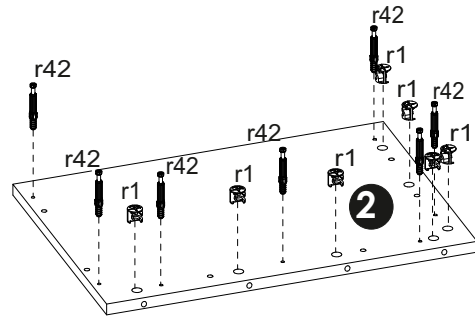
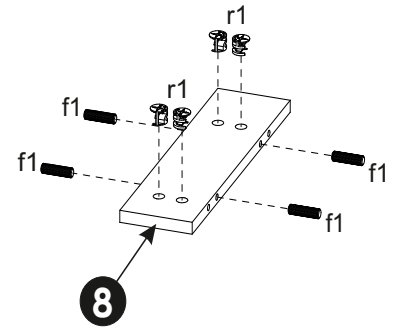
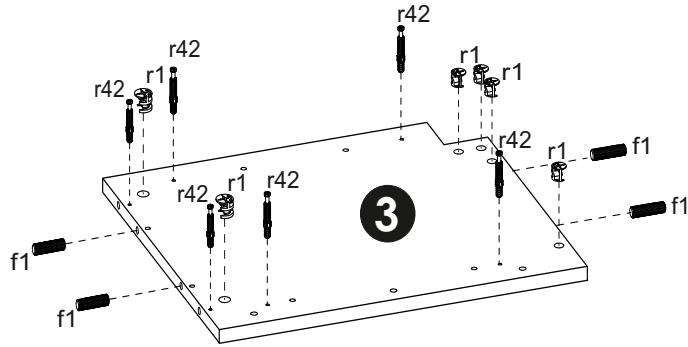
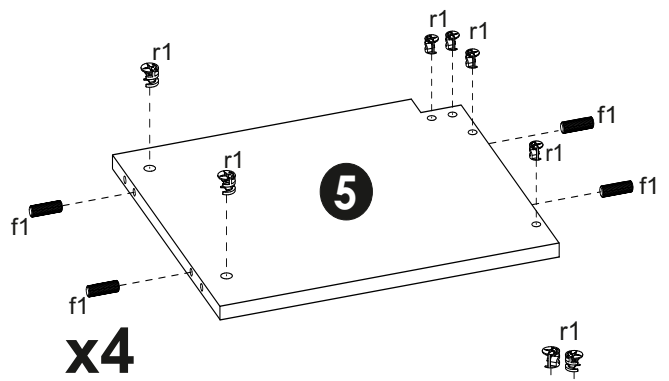
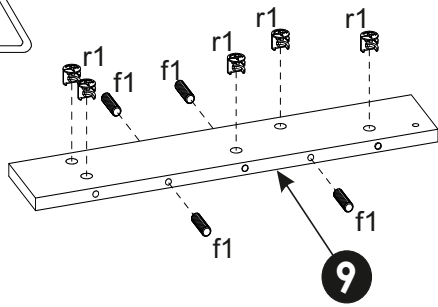
# 2



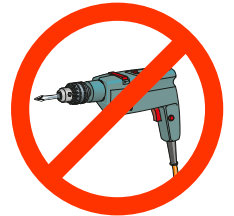
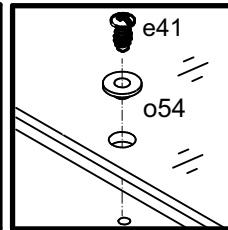
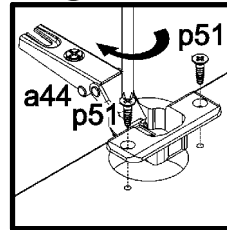
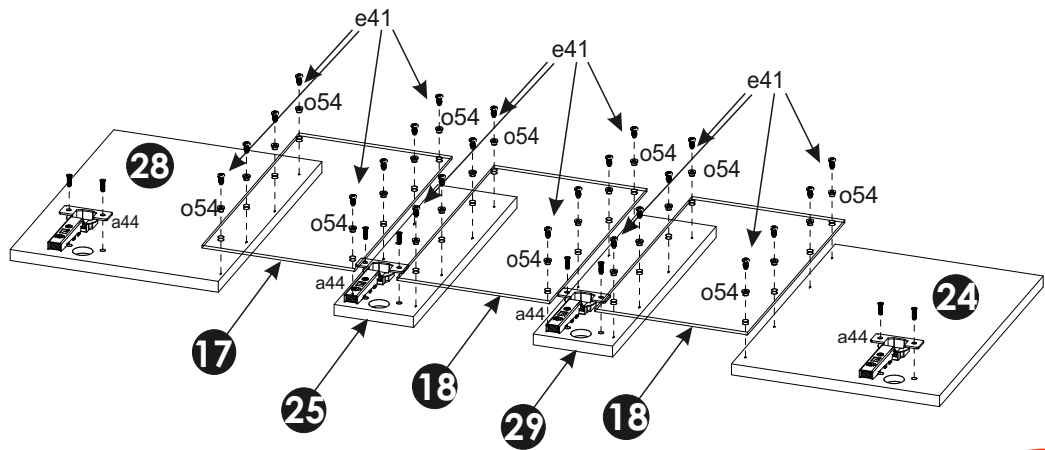
# 3



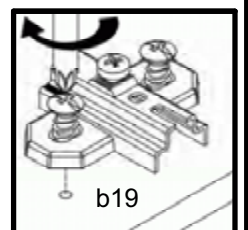
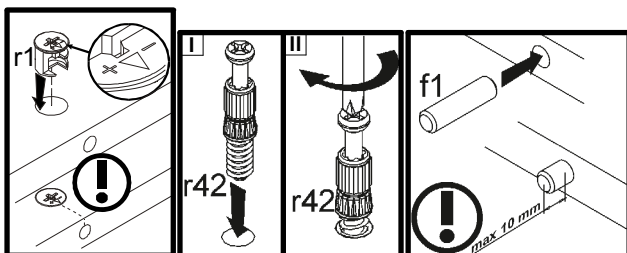
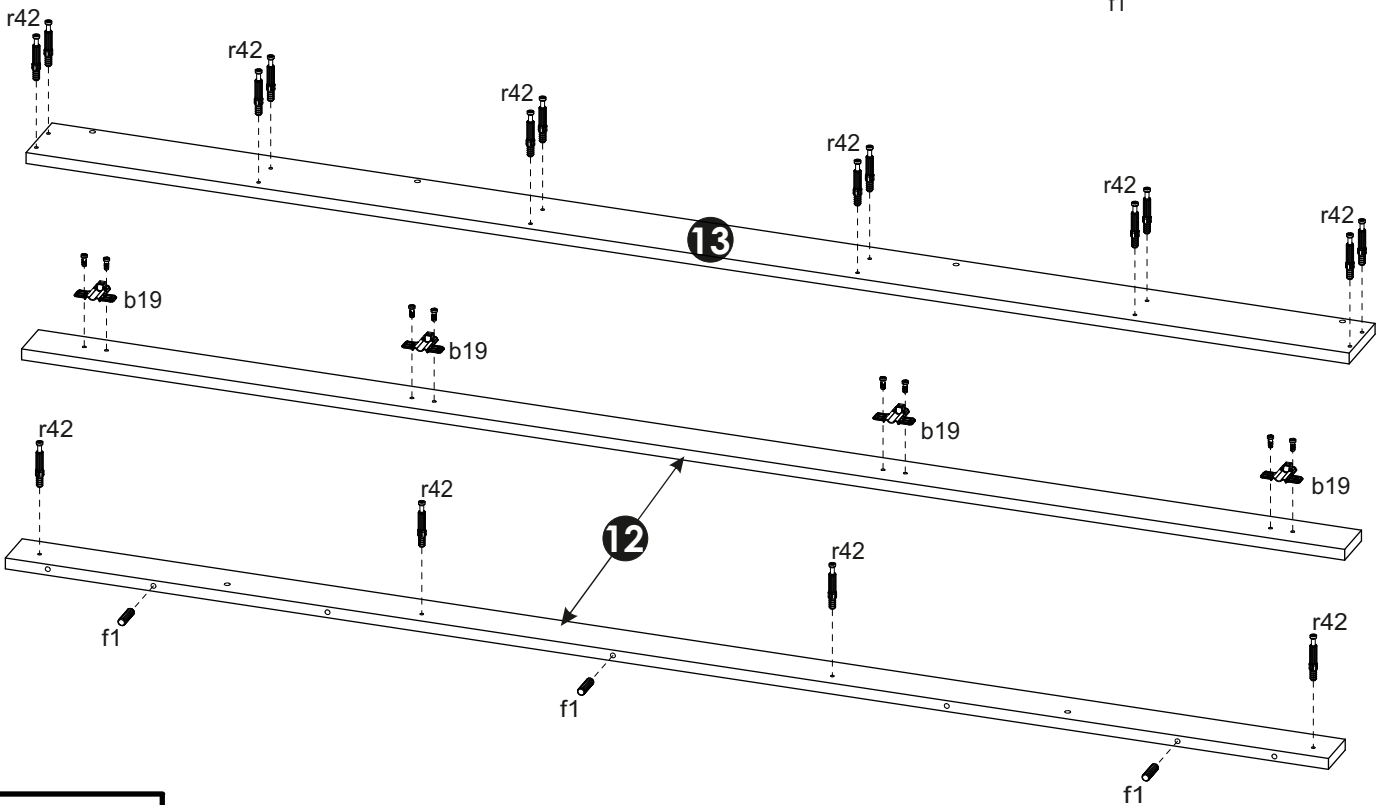
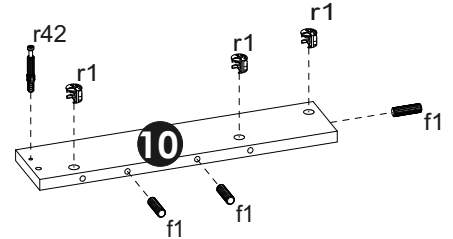
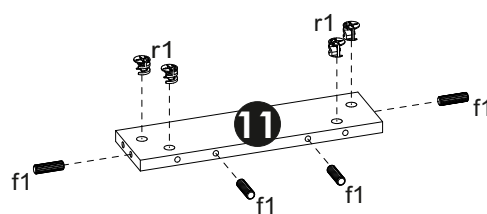
4 



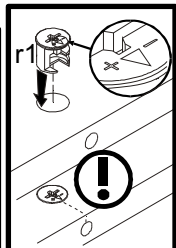
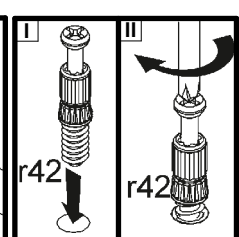
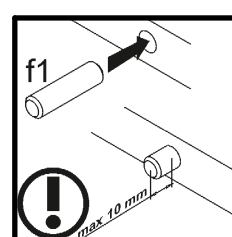
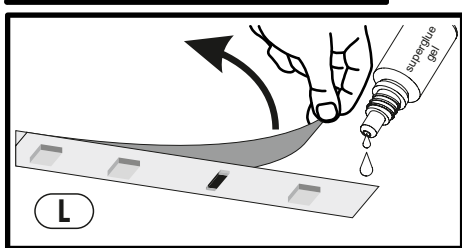
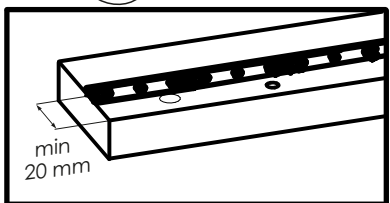
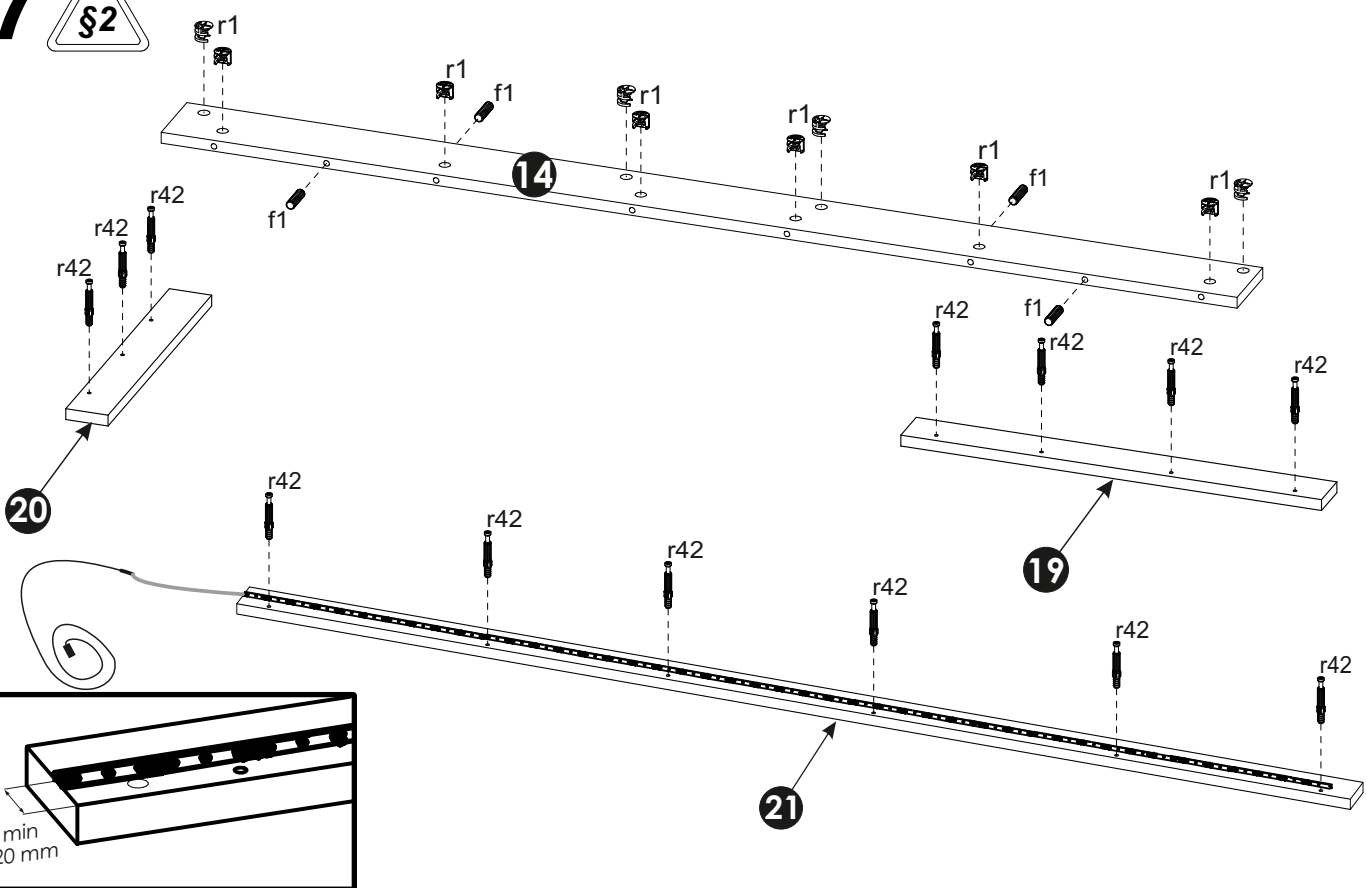
# 5



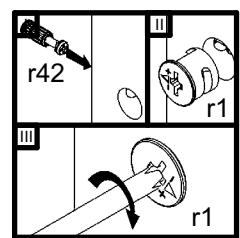
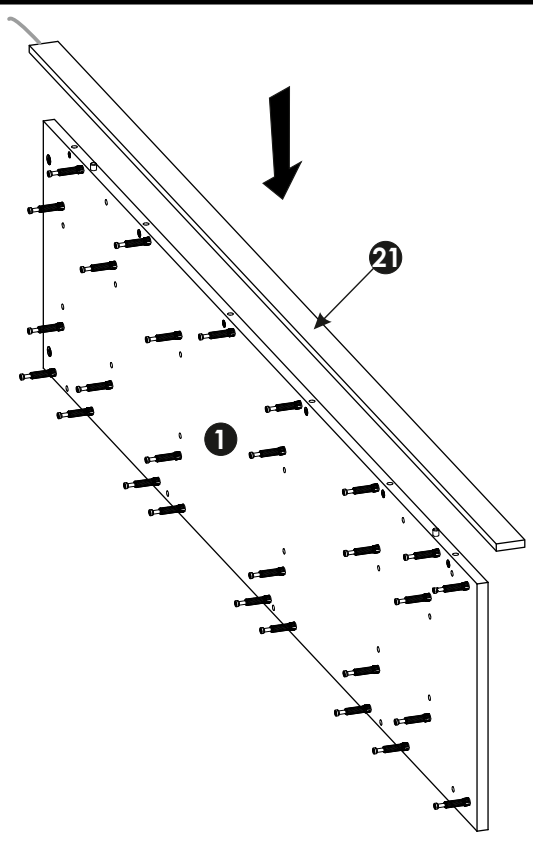
# 6



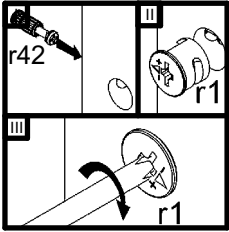
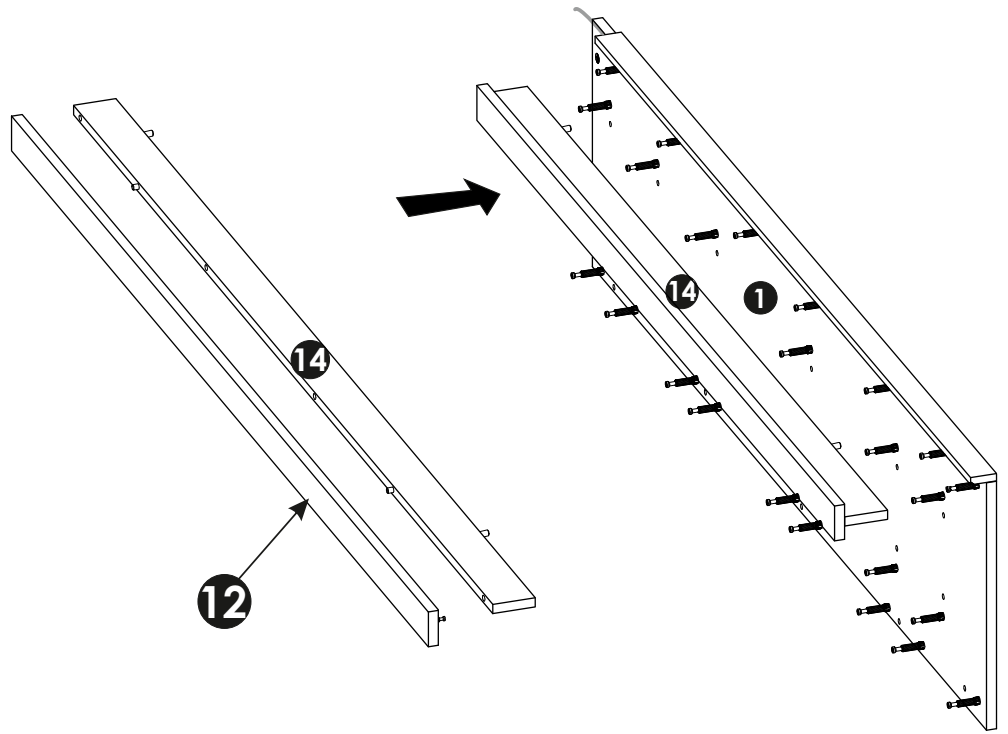
# 7



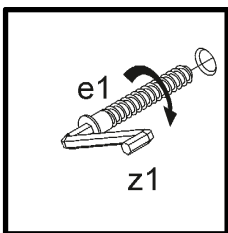
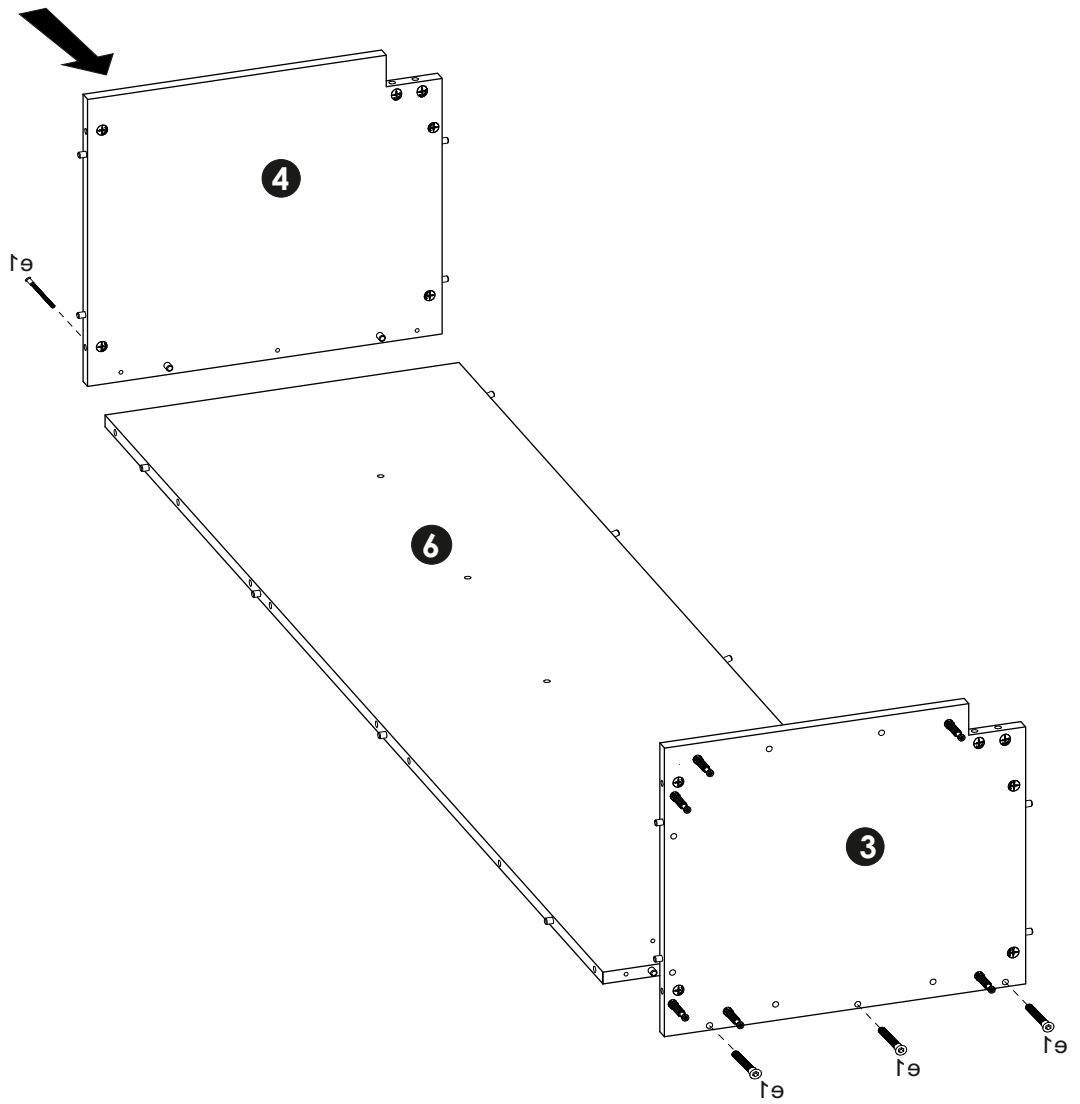
# 8



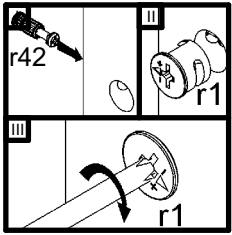
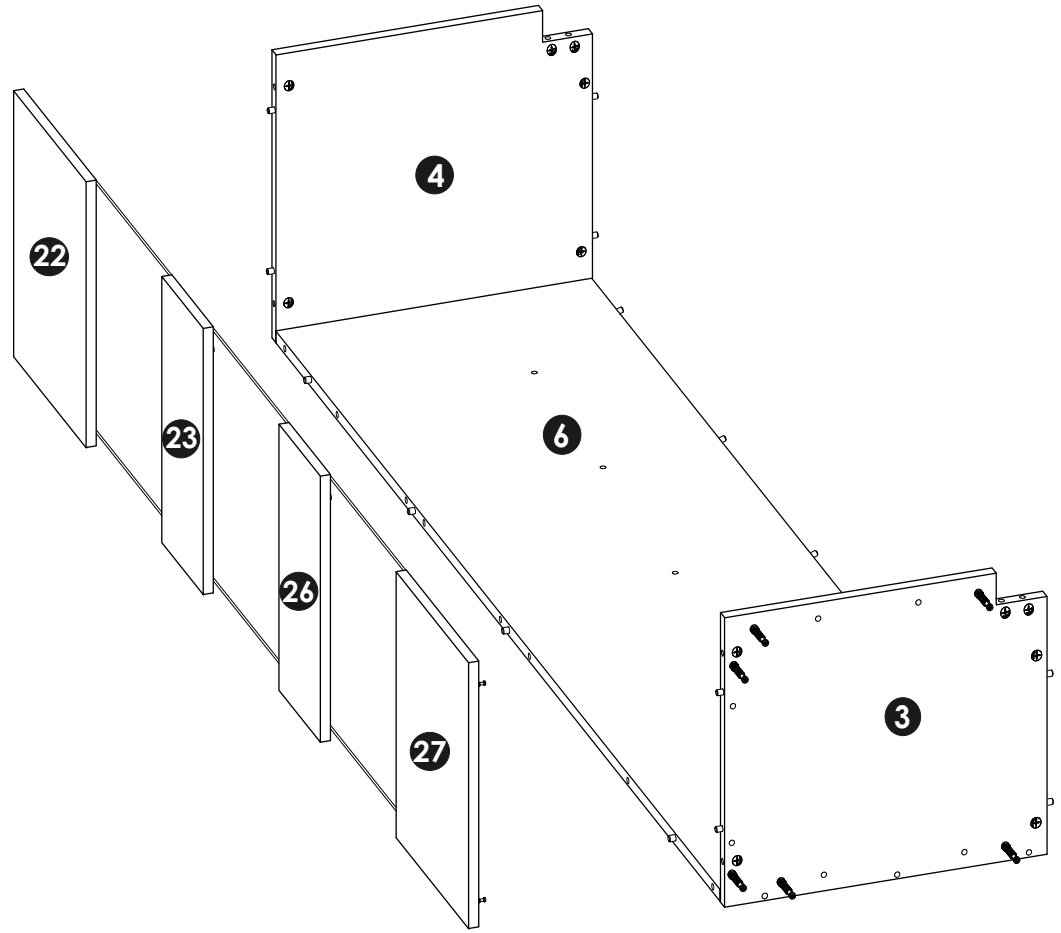
# 9



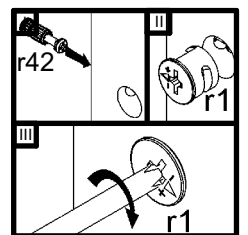
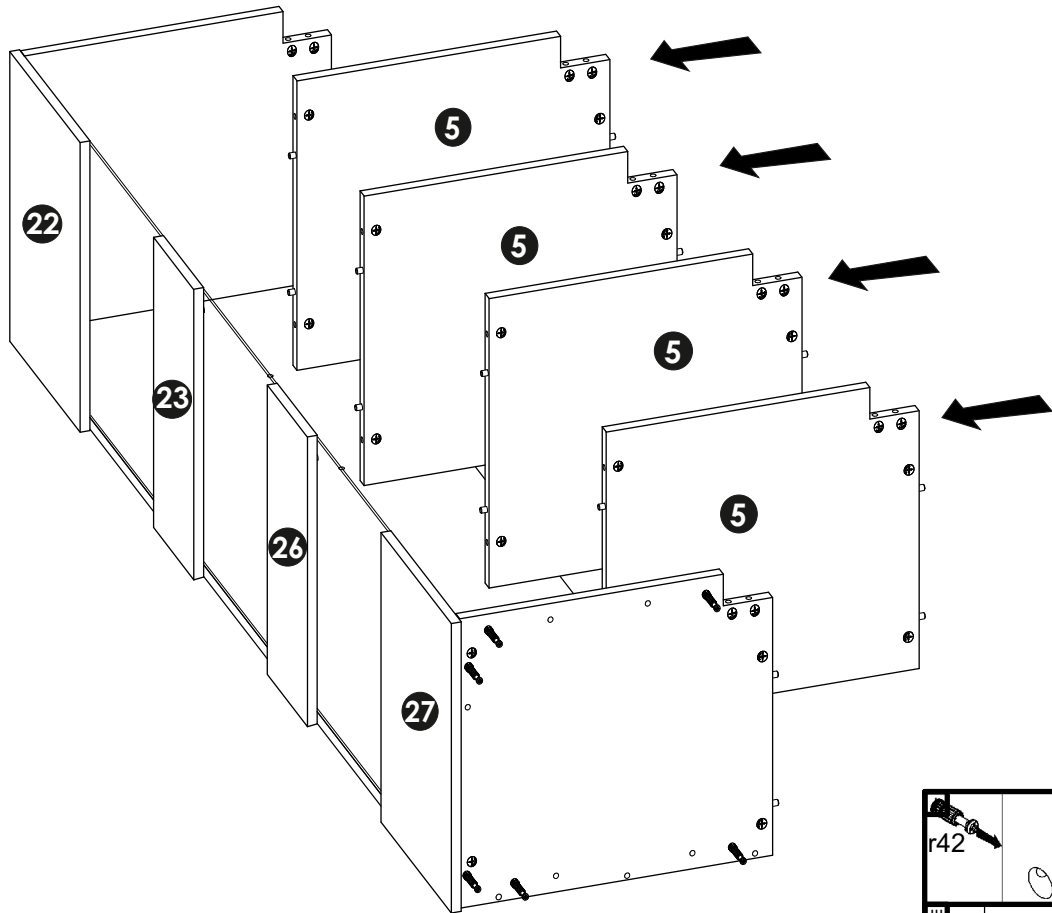
# 10



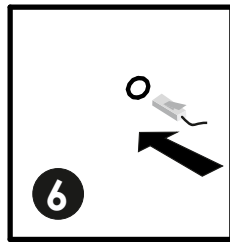
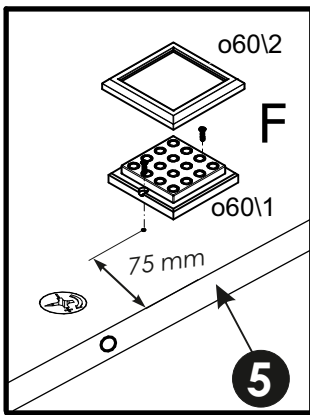
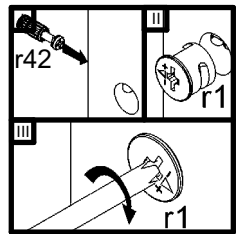
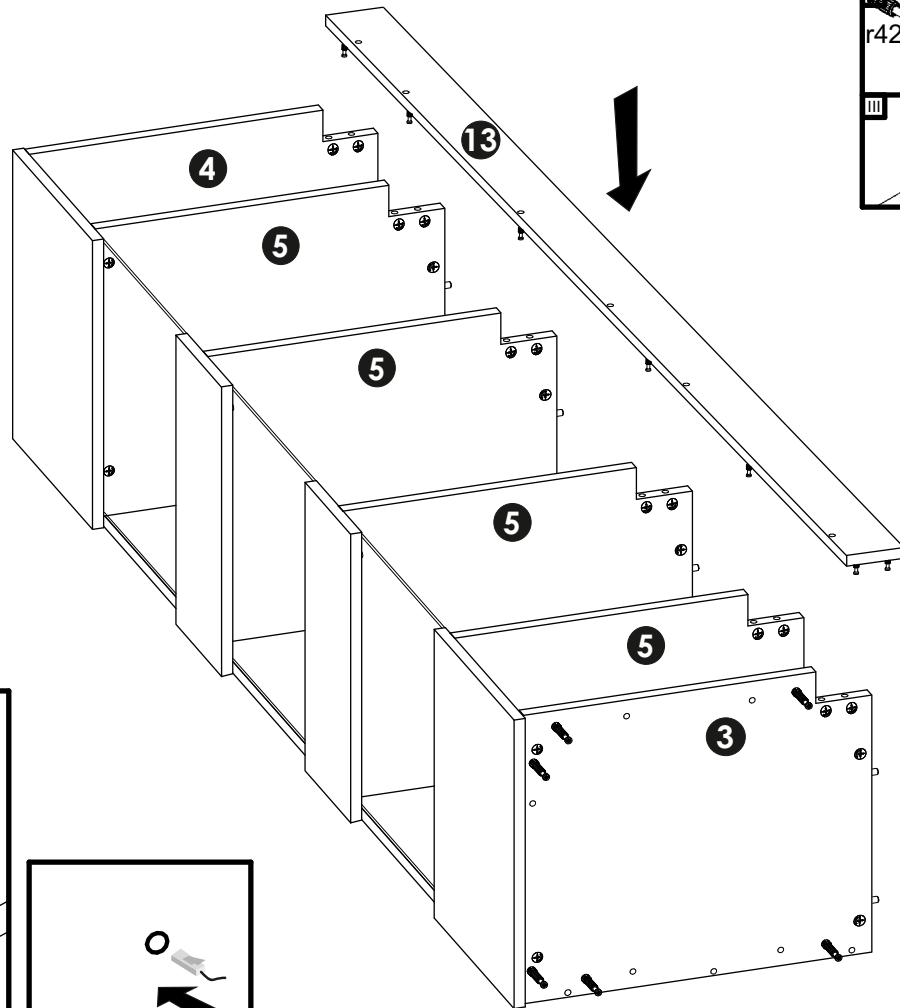
# 11



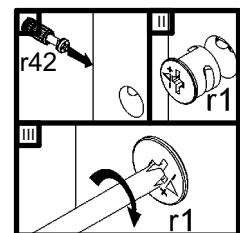
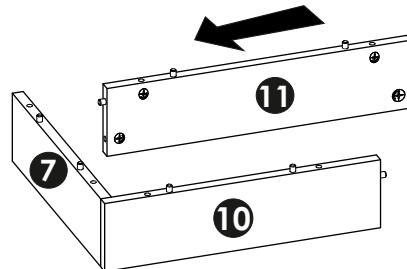
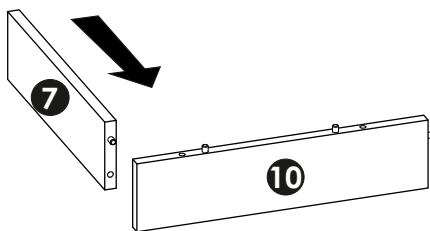
# 12



# 13

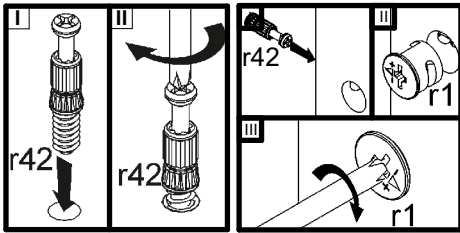
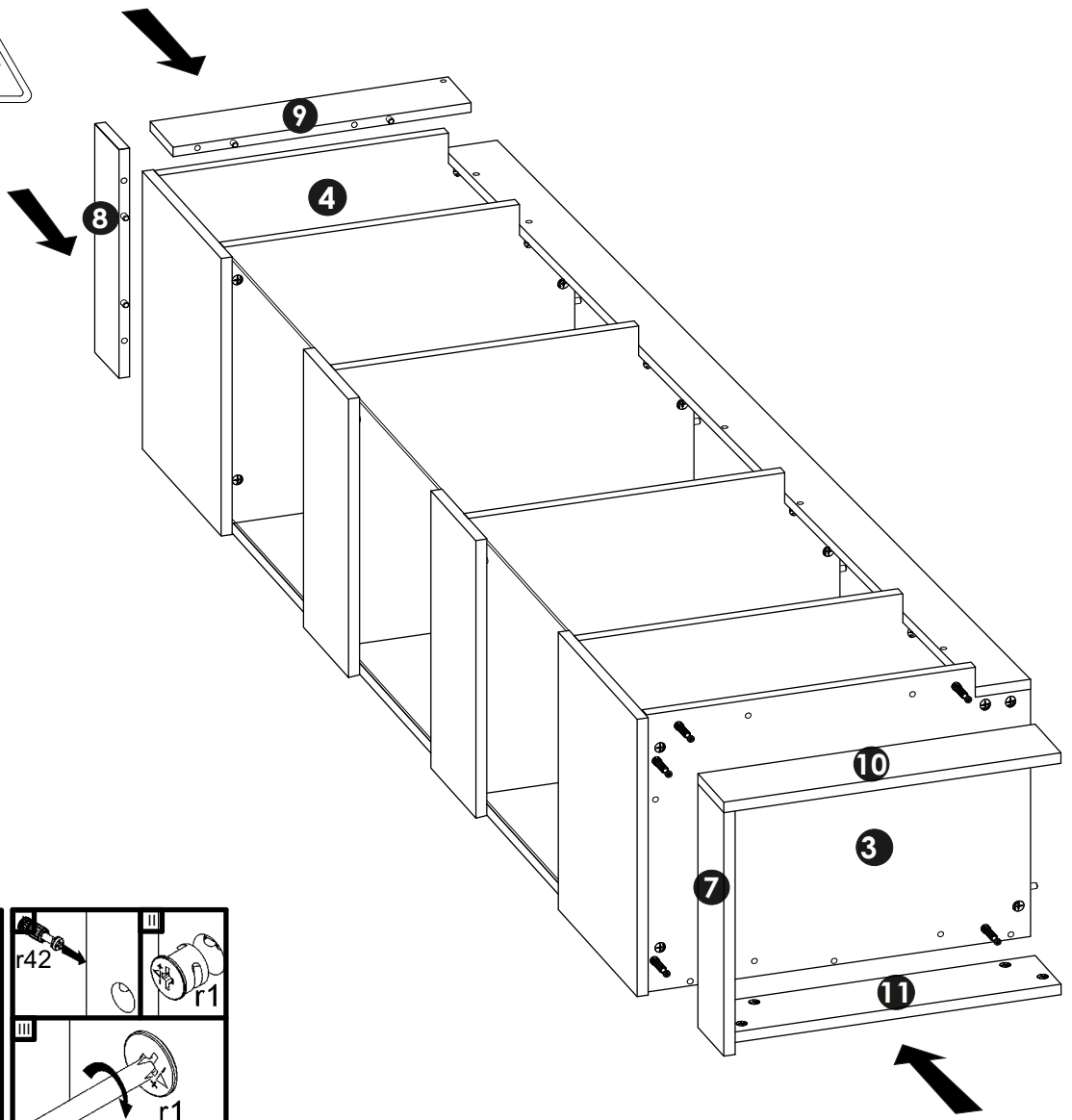


# 14

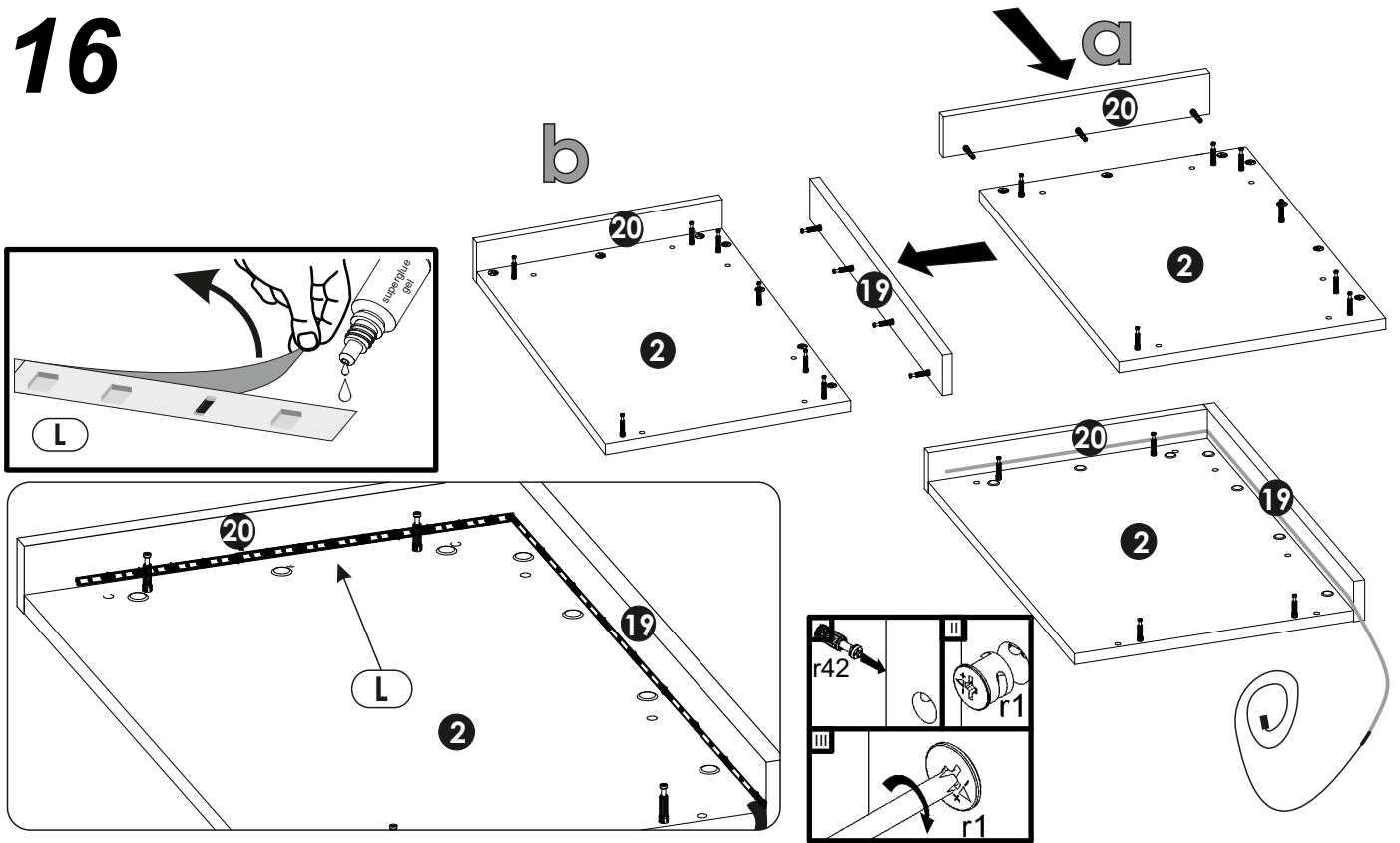




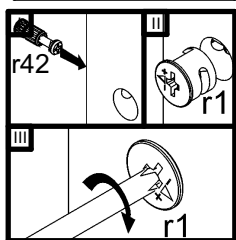
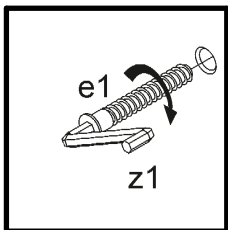
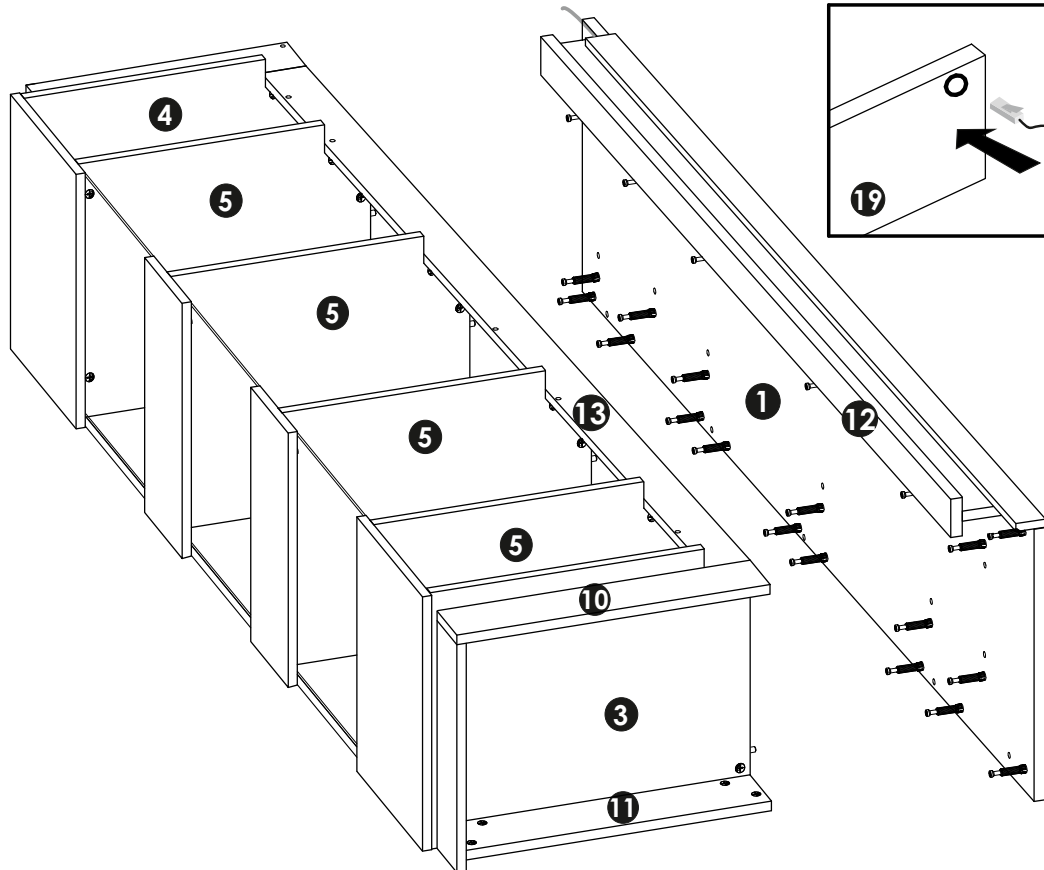
# 15



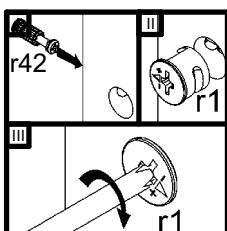
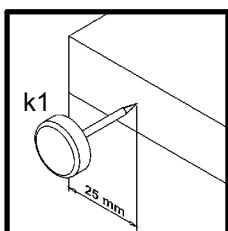
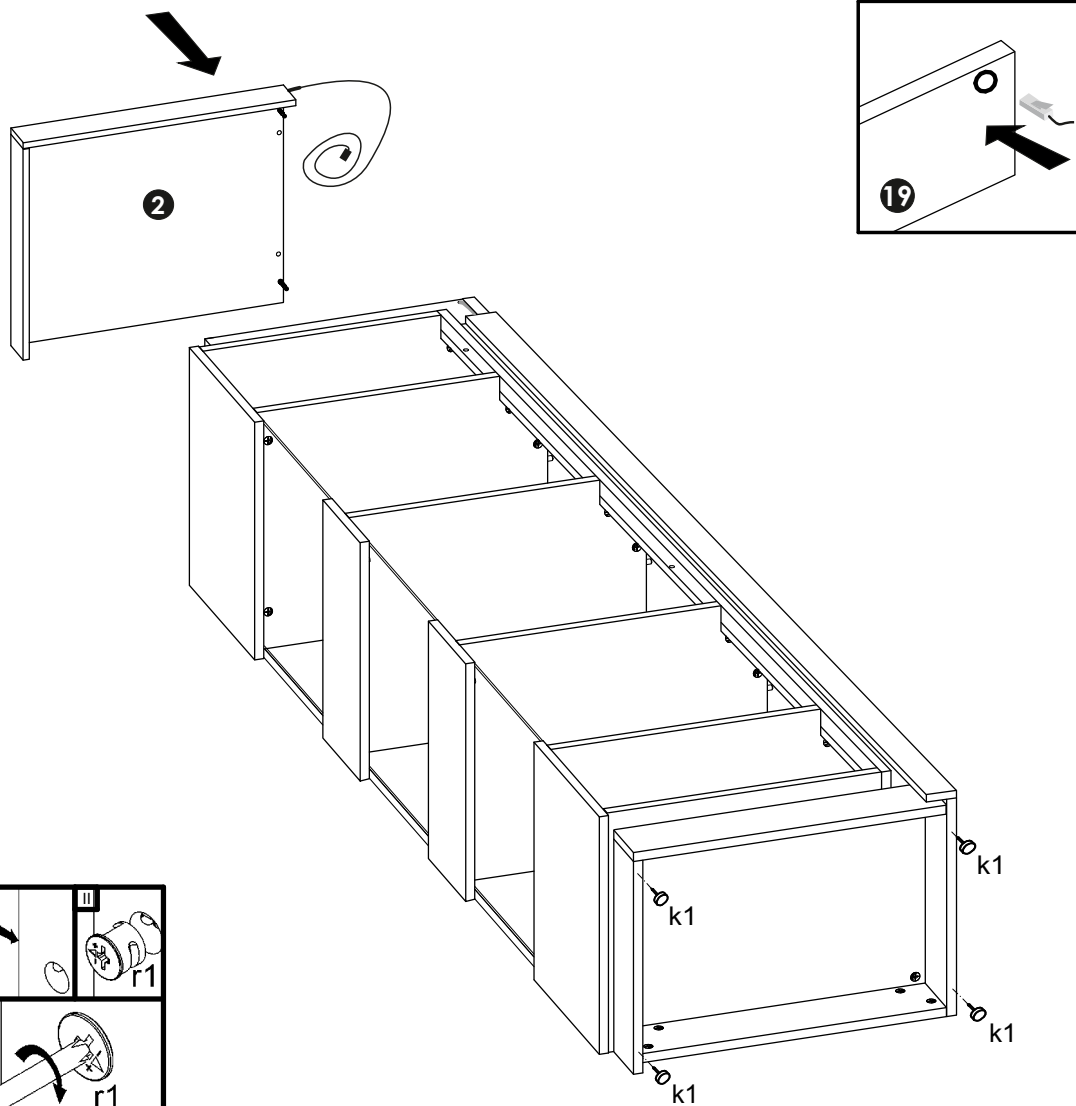
# 16



# 17



# 18



# 19

n14\2

