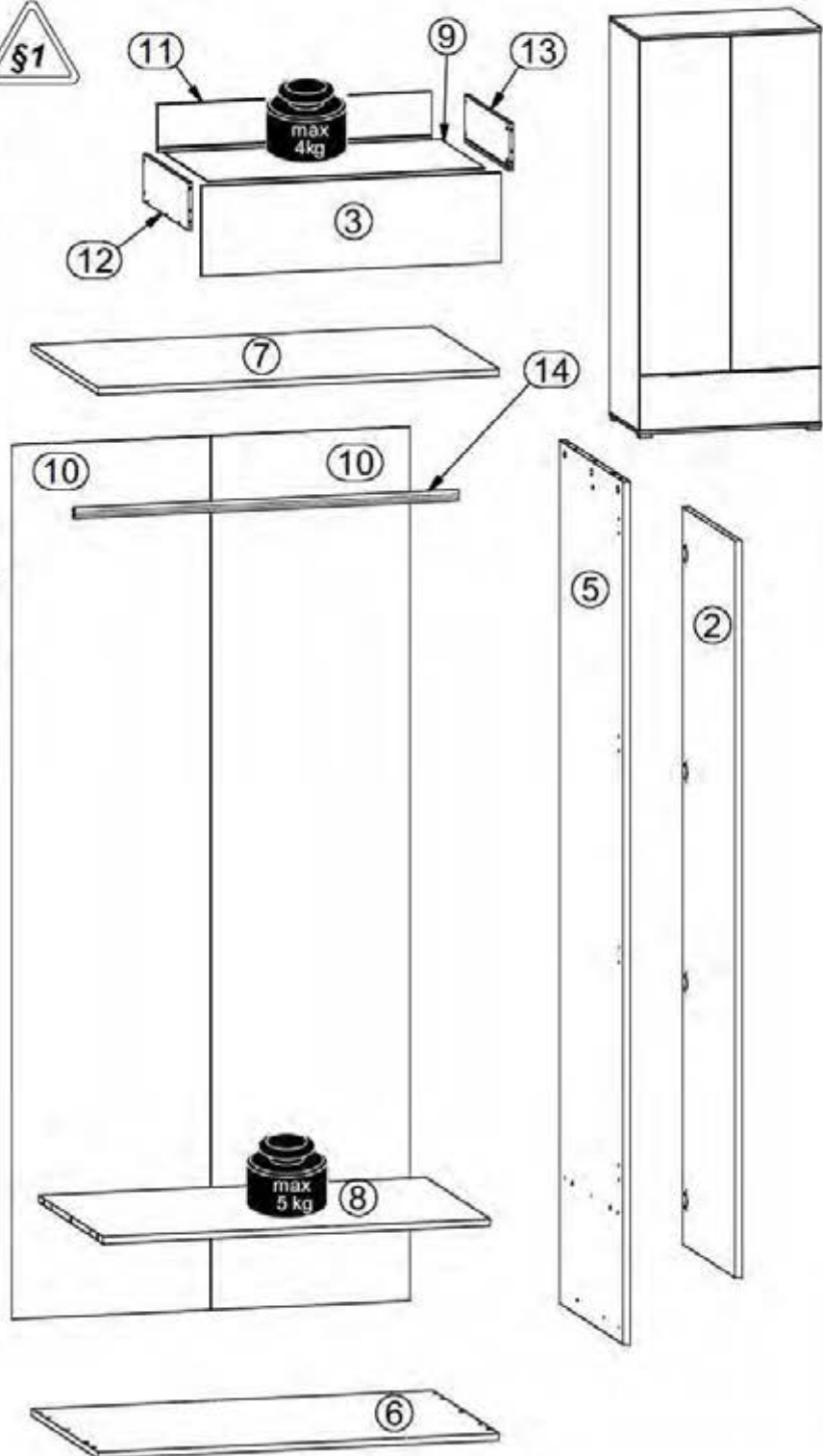


A

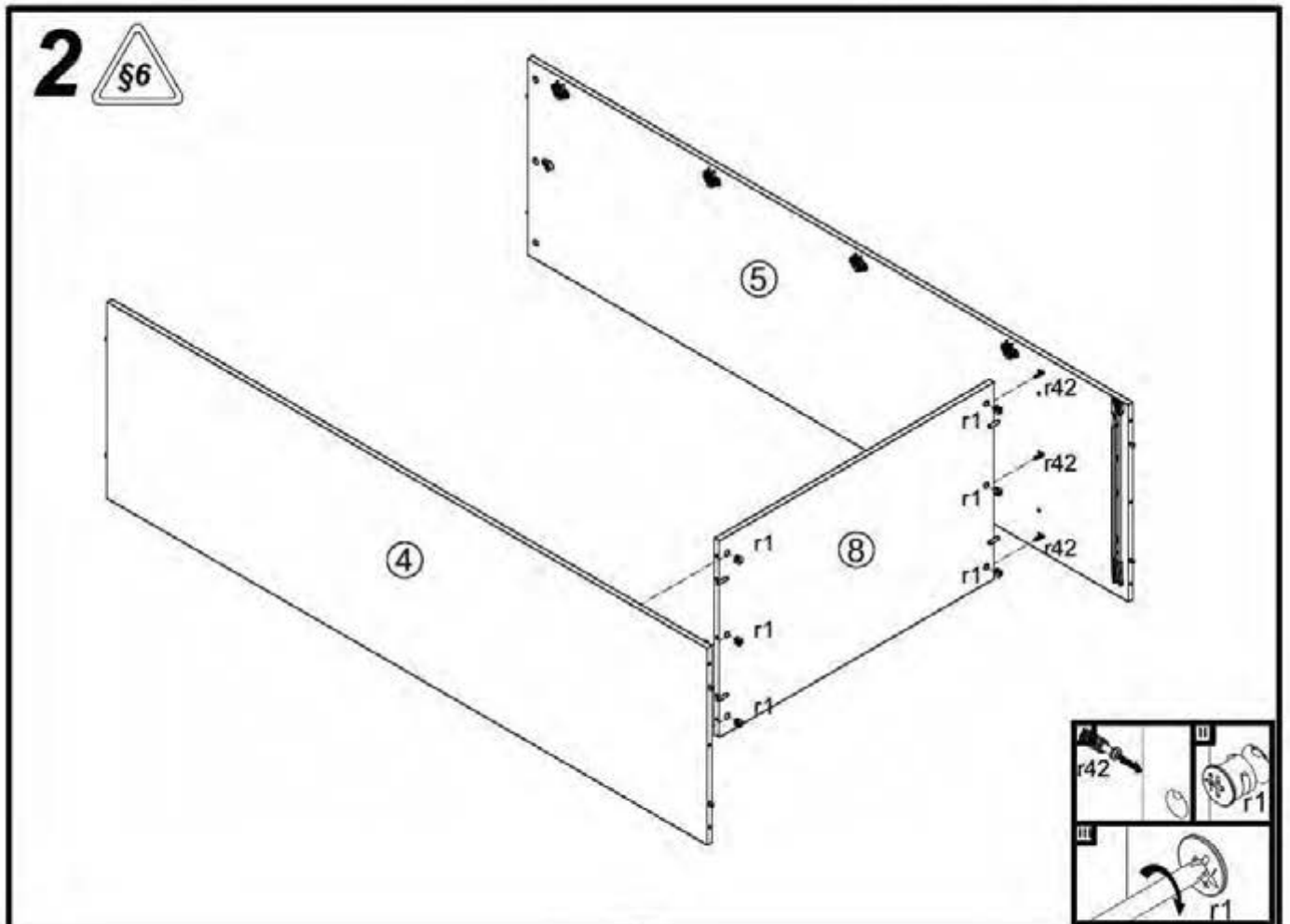
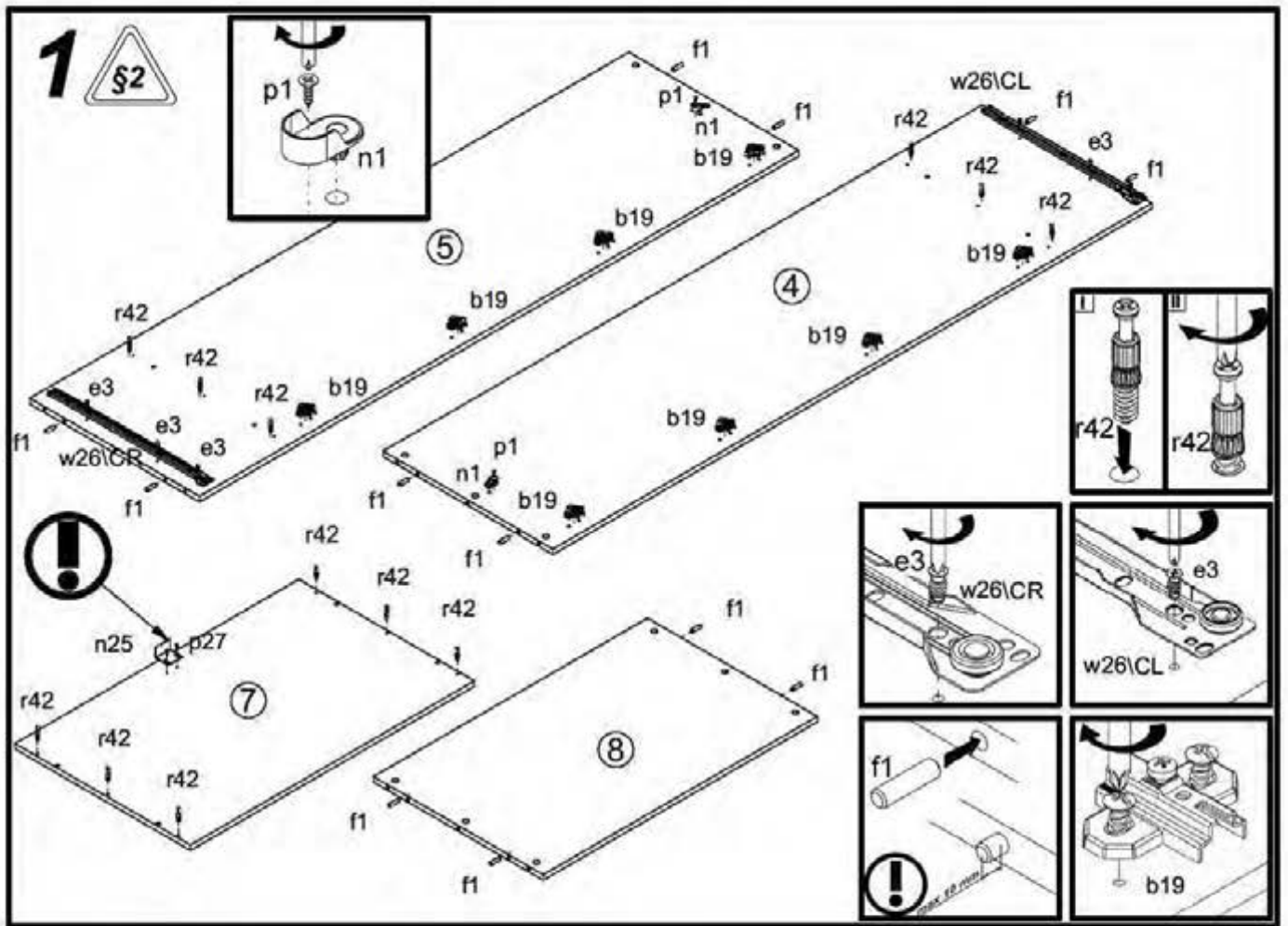
ZLATA

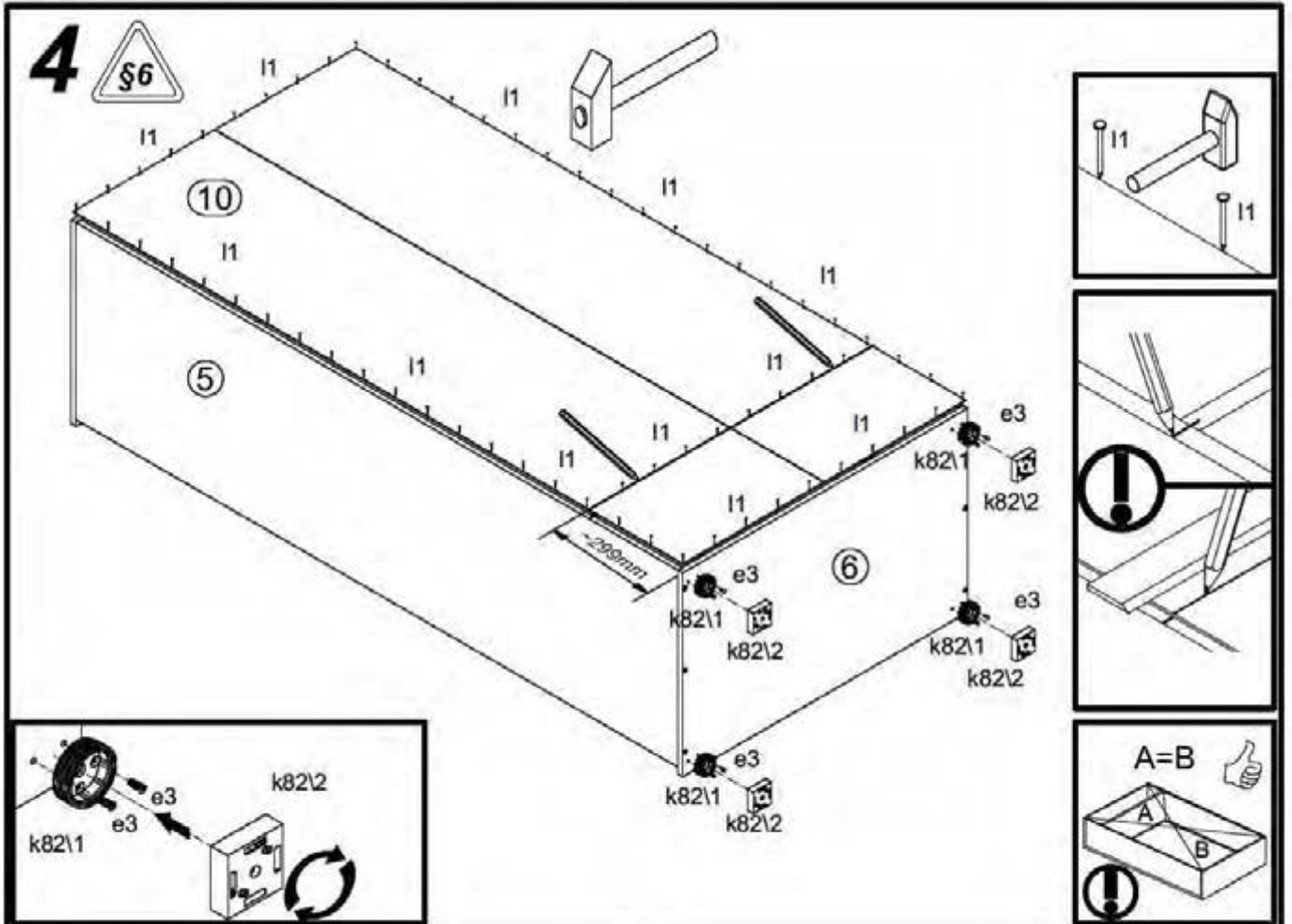
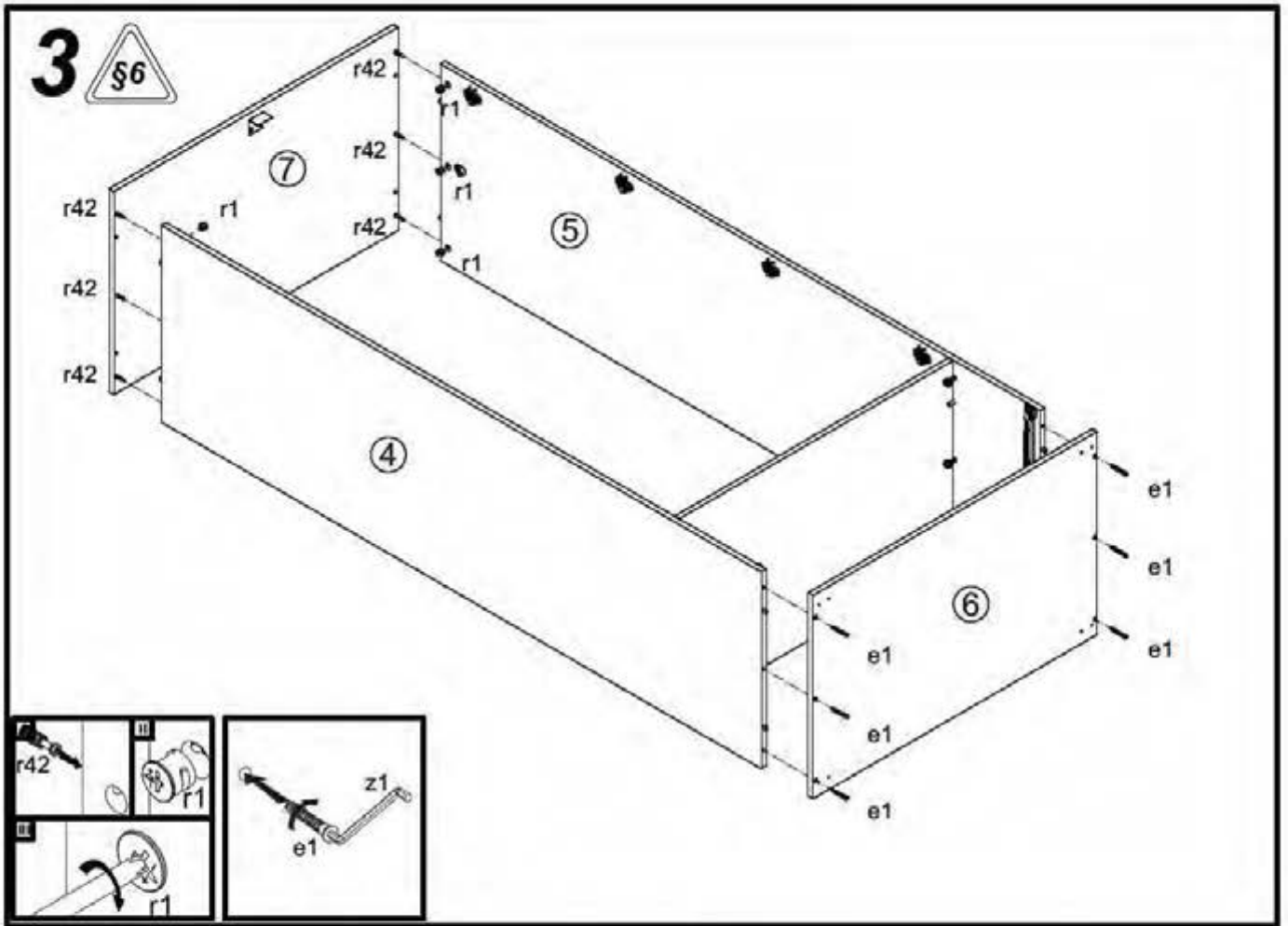
SZF2D1S

A	B	C	D	
1	S383 00001	1626	446	3/4
2	S383 00002	1626	446	3/4
3	S383 00003	897	264	4/4
4	S383 11001	1904	540	1/4
5	S383 11002	1904	540	1/4
6	S383 22001	902	558	2/4
7	S383 22002	902	558	2/4
8	S383 33001	869	540	2/4
9	S383 99002	822	498	2/4
10	S383 99501	1931	447	1/4
11	ZP 5511	812	140	2/4
12	BP 507	500	140	2/4
13	BP 508	500	140	2/4
14	dr 863	863	22	2/4



8x a44	8x b19	3x c409	6x e1	6x e19	14x e3	12x f1	4x f25	2x f9
4x k8211	4x k8212	65x l1	2x n1	1x n25	6x o21	2x p1	2x p25	2x p27
6x p93	16x r1	6x s2	16x r42	1x t17	1x w26\CL	1x w26\CR	1x w26\DL	16x p51
1x w26\DR	1x z1					1x n2611	1x p38	





7

