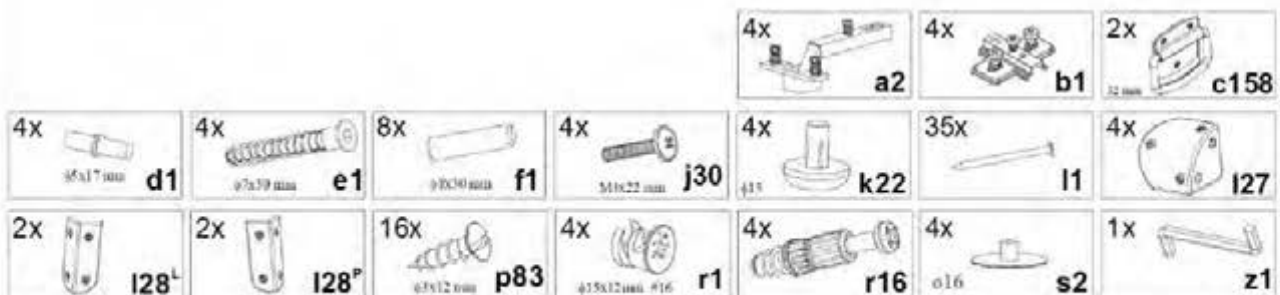
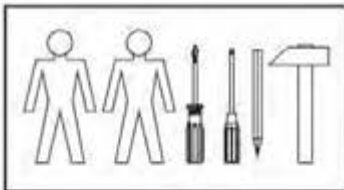
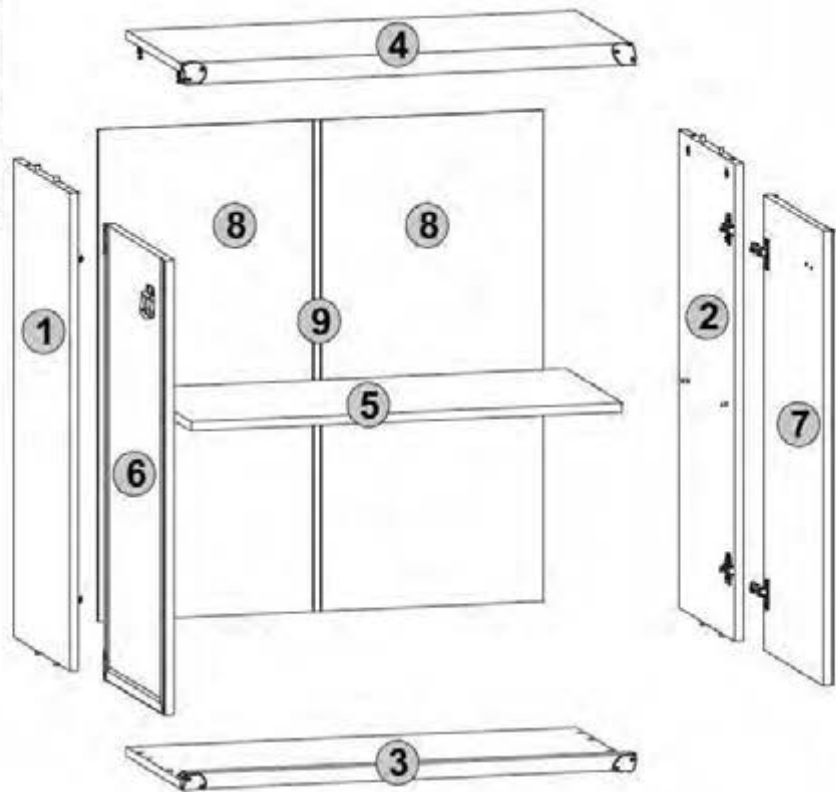


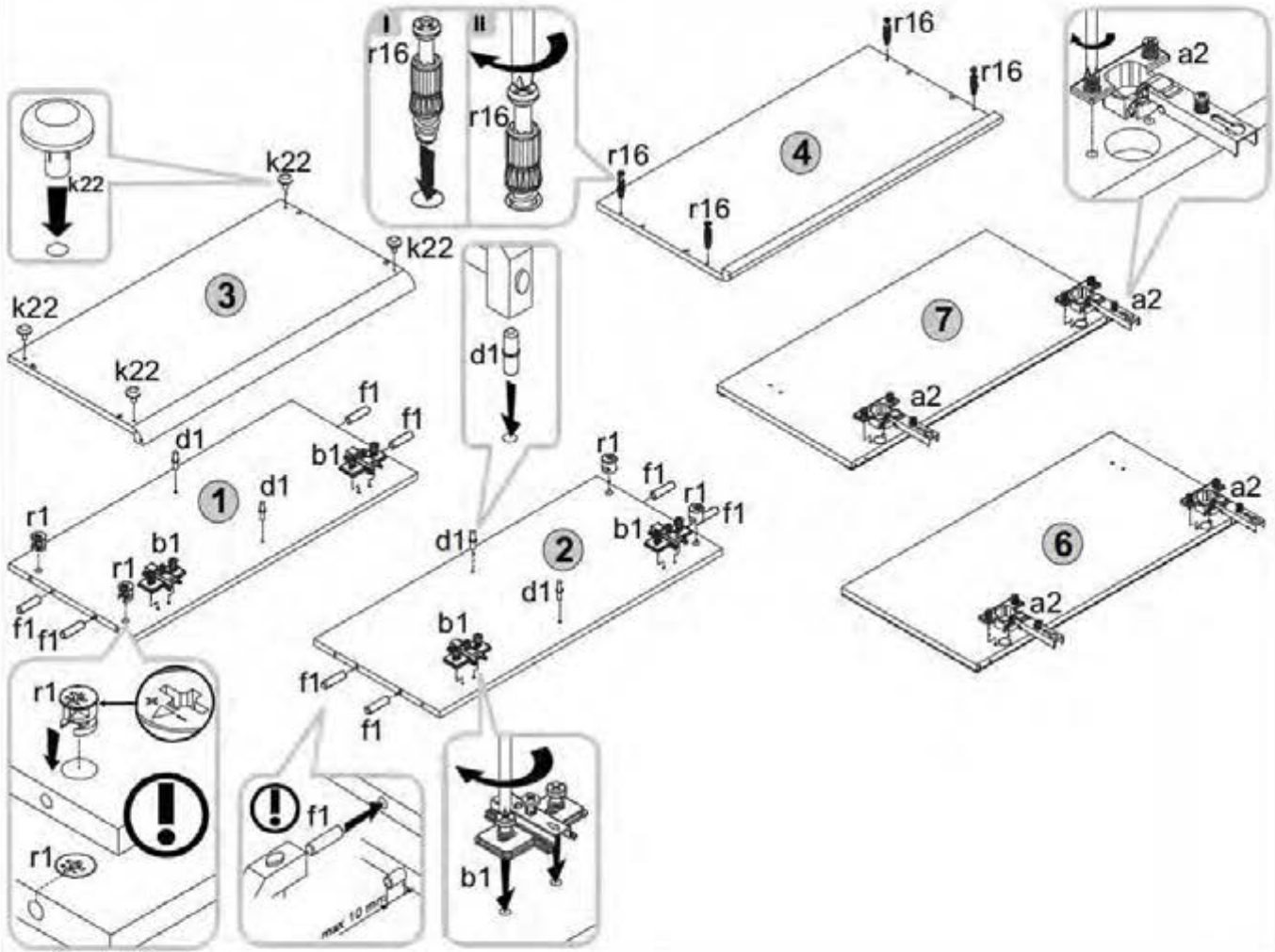
# INDIANA

JKOM 2d

A	C	B	D
1	832x370	S31-145	1/3
2	832x370	S31-146	1/3
3	800x395	S31-207	2/3
4	800x395	S31-208	2/3
5	767x370	S31-307	1/3
6	792x396	S31-016	3/3
7	792x396	S31-017	3/3
8	856x396	S31-1909	1/3
9	826x14	Lh-826	1/3



# 1



# 2

