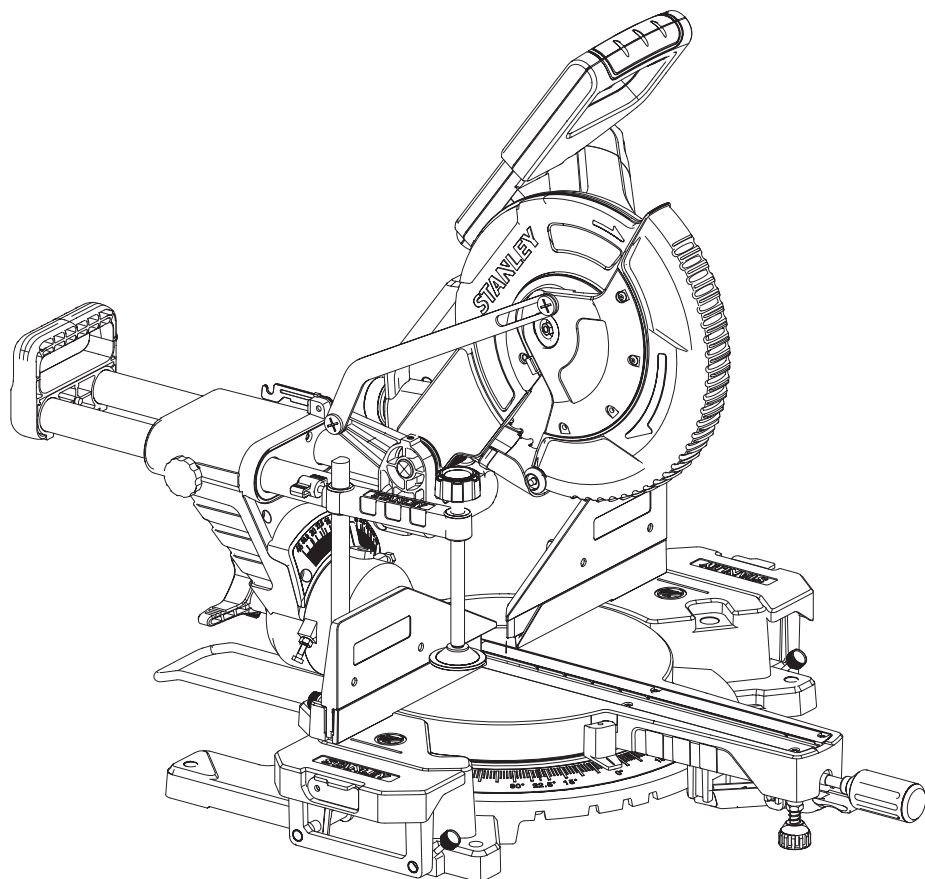


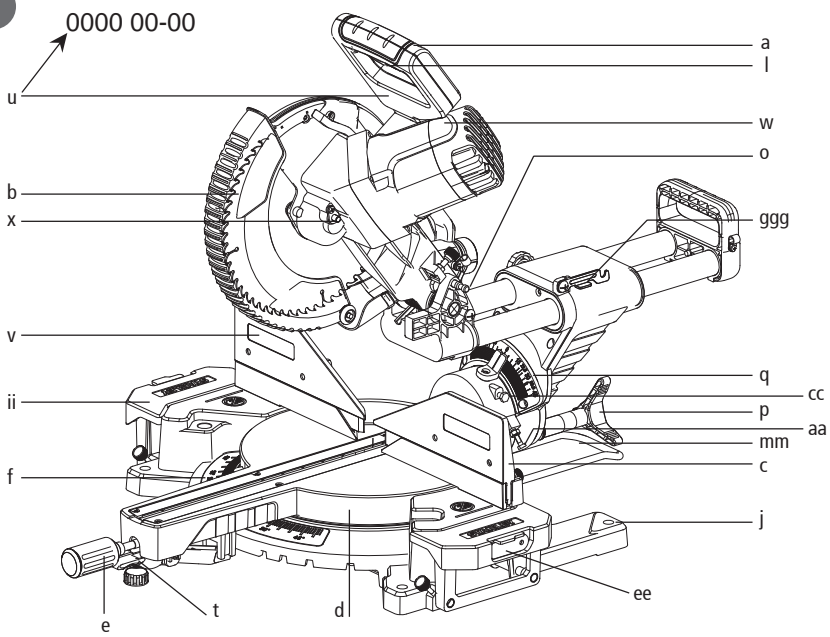
STANLEY®



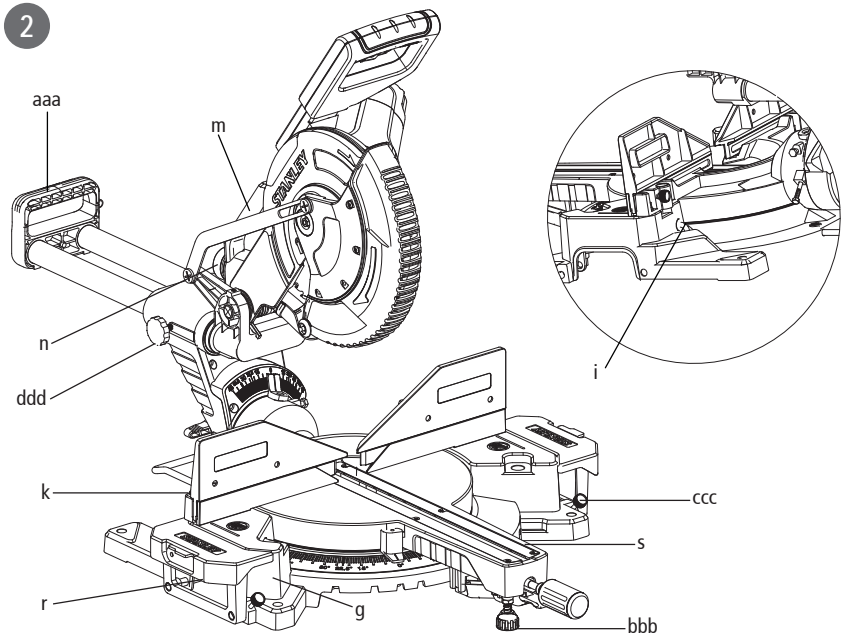
SM18

English	14
French	27
Russian	42
Ukrainian	61
Turkish	77
العربية	107

1

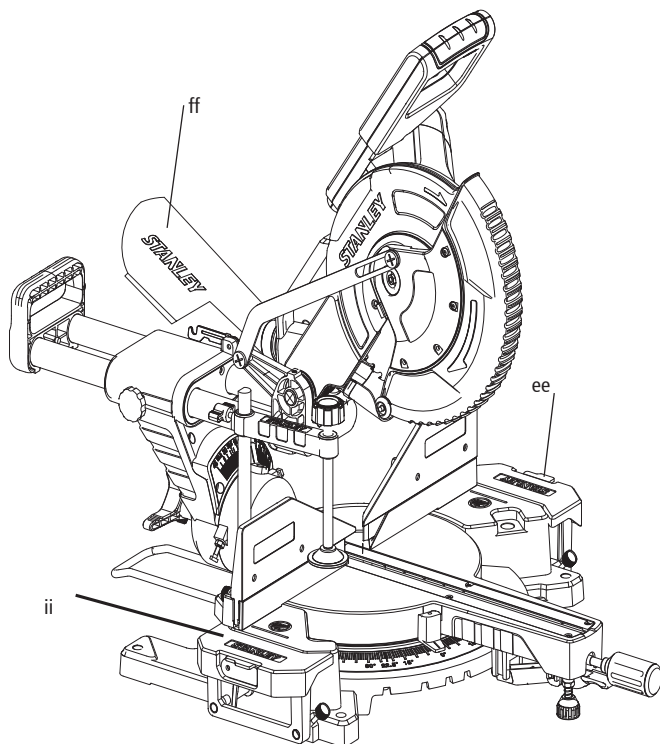


2

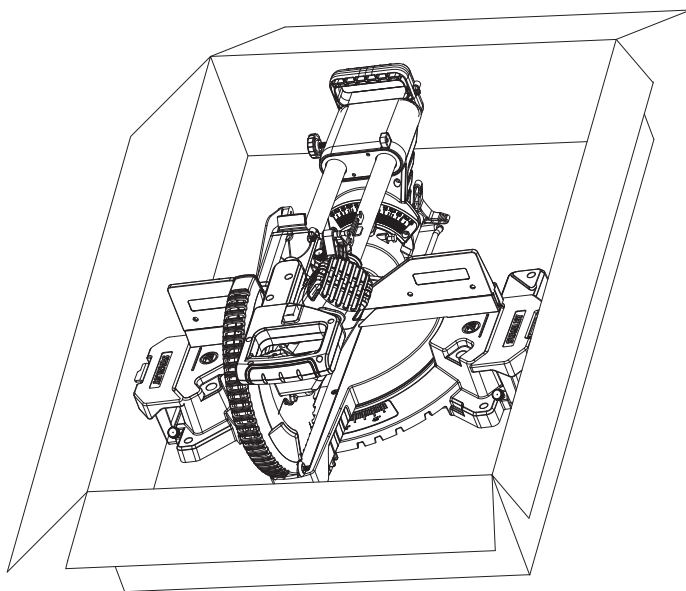


2

3

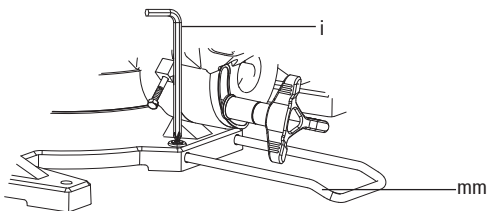


4

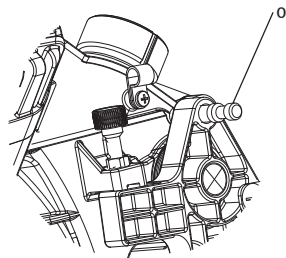


3

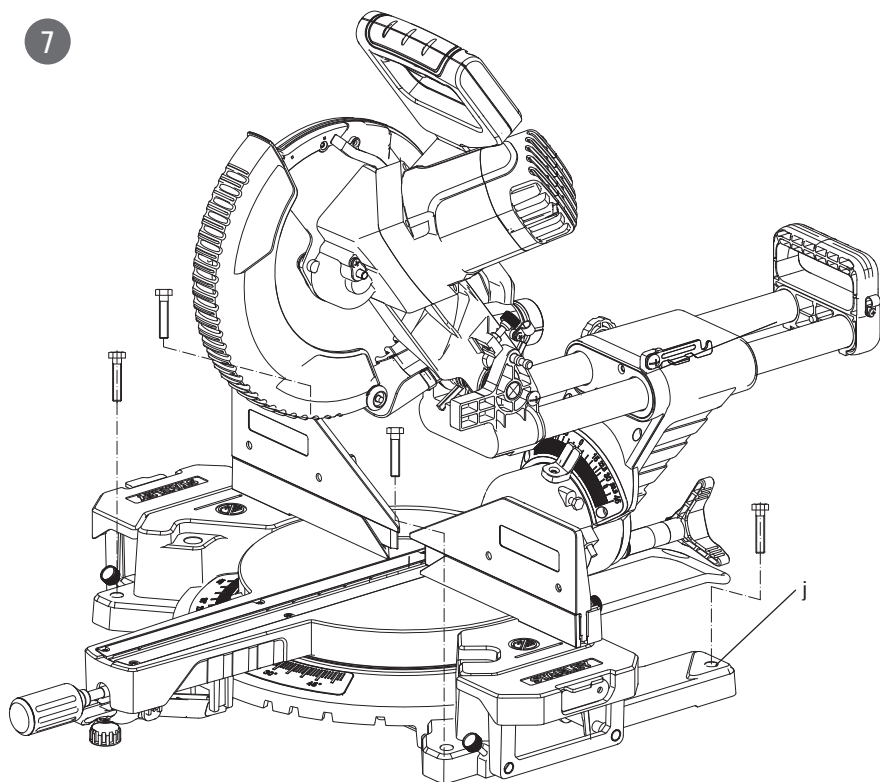
5



6

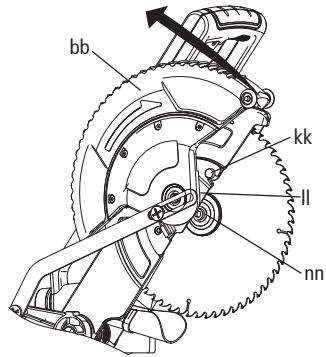


7

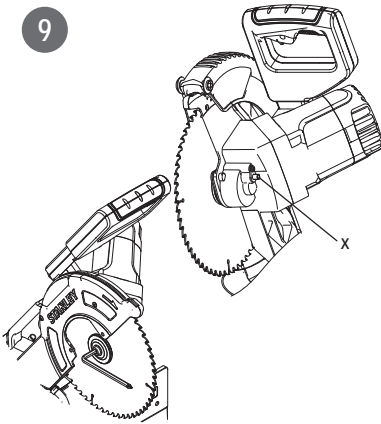


4

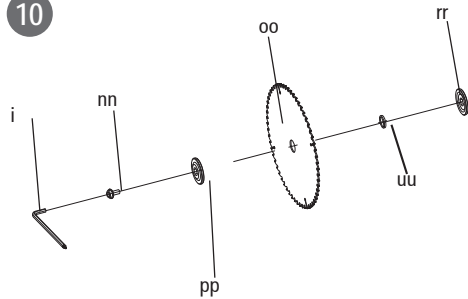
8



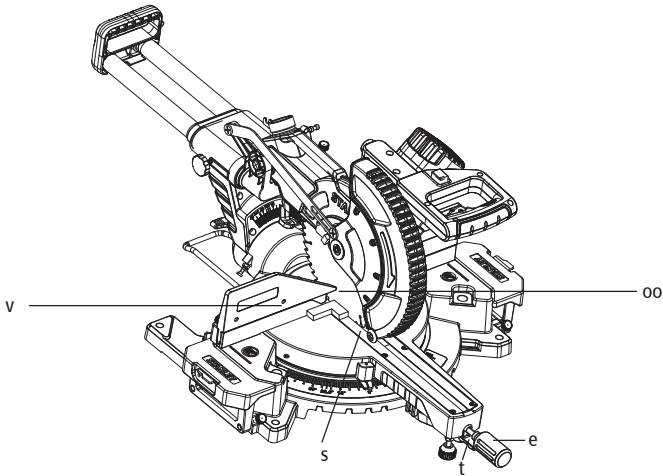
9



10

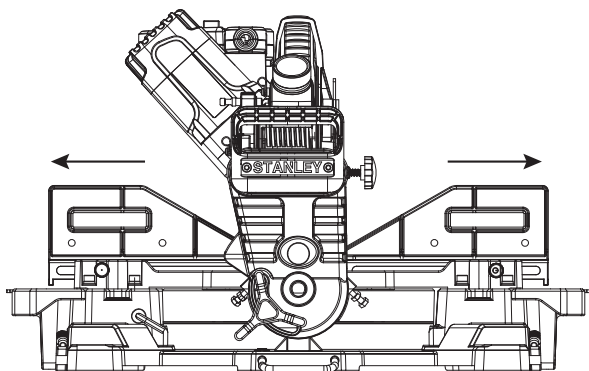


11

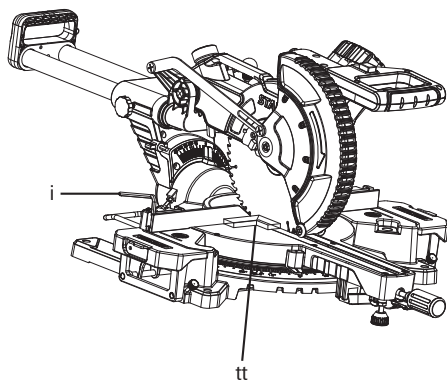


5

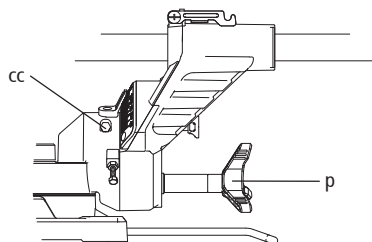
12



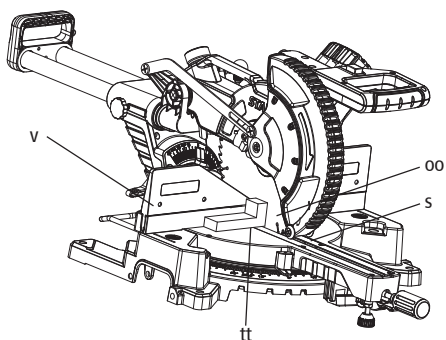
13



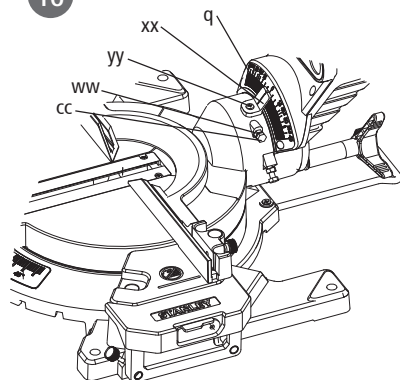
14



15

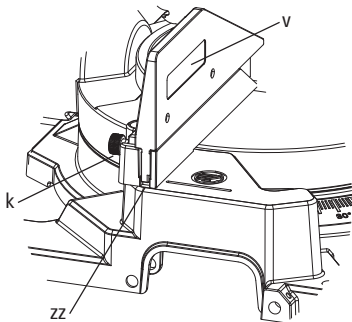


16

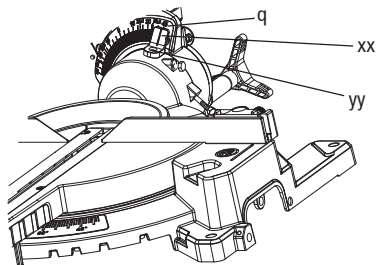


6

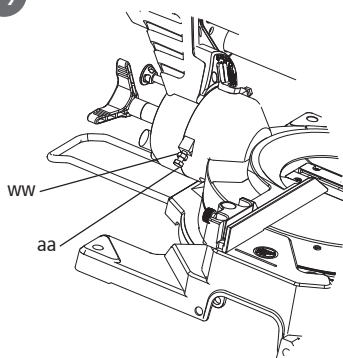
17



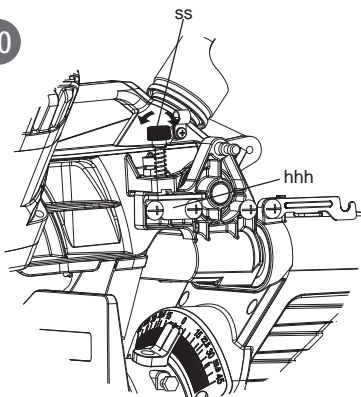
18



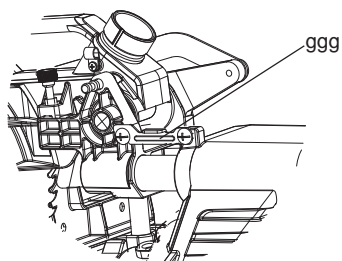
19



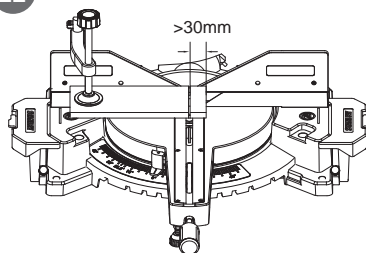
20



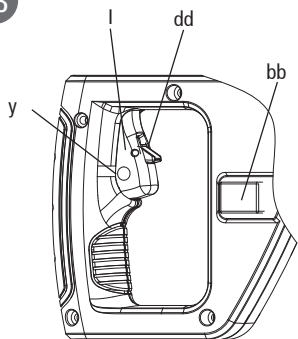
21



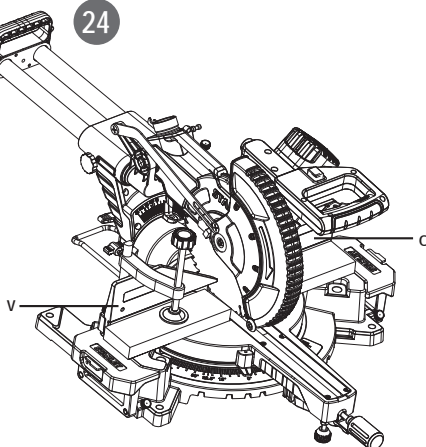
22



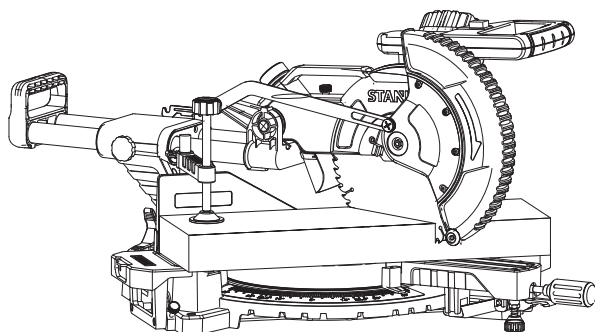
23



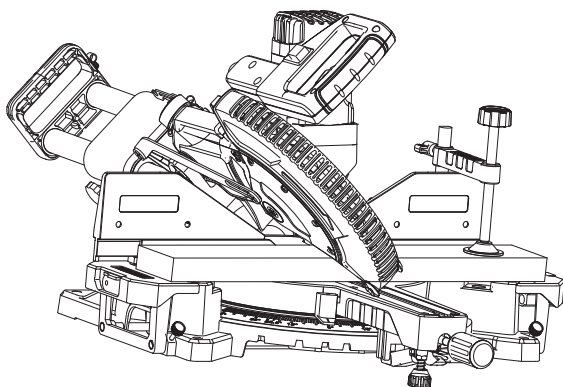
24



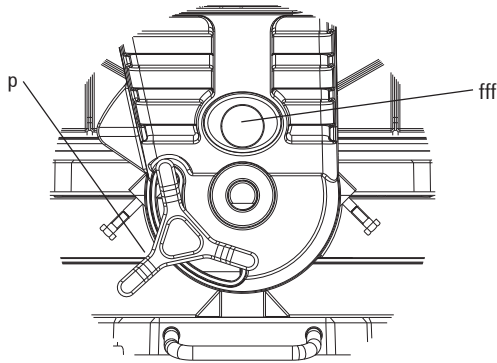
25



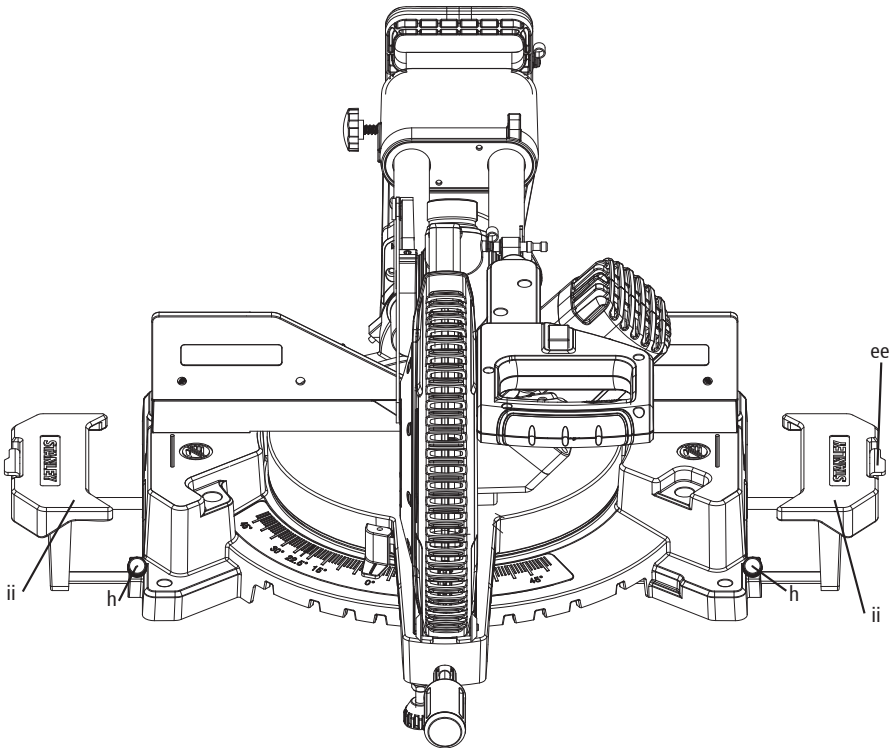
26



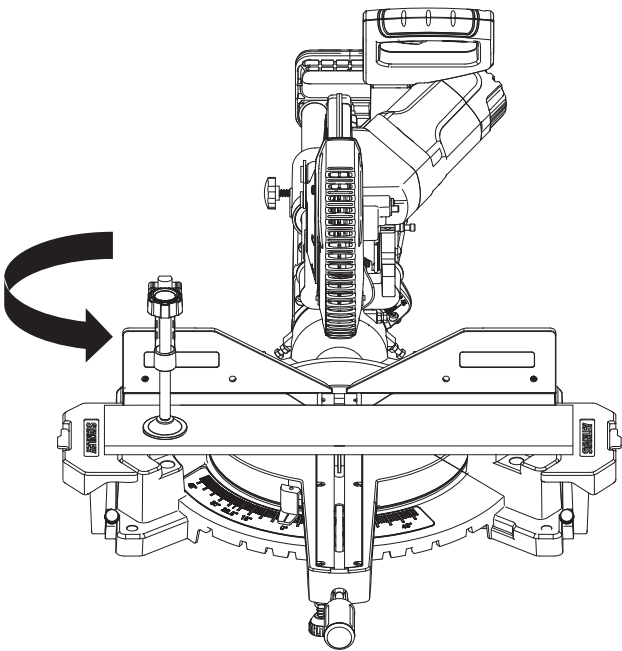
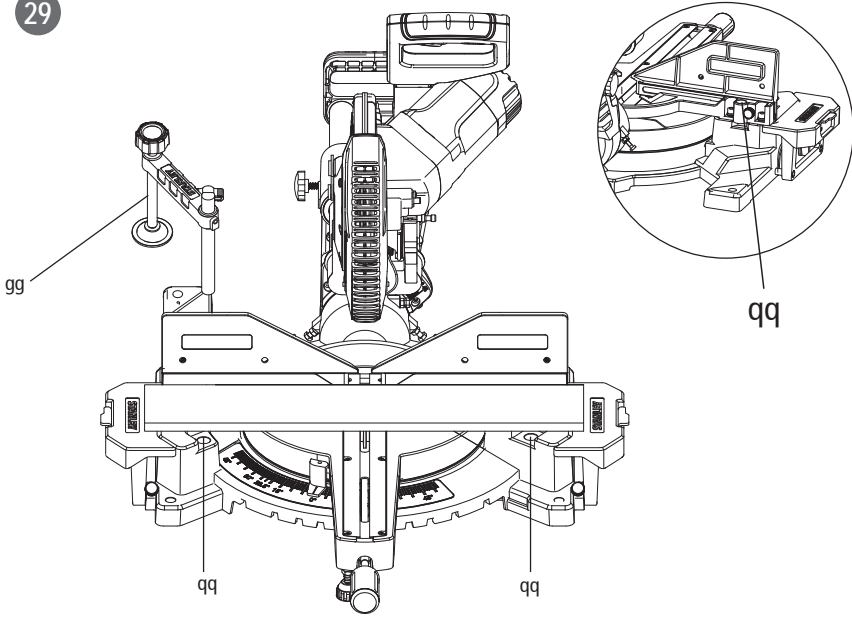
27



28

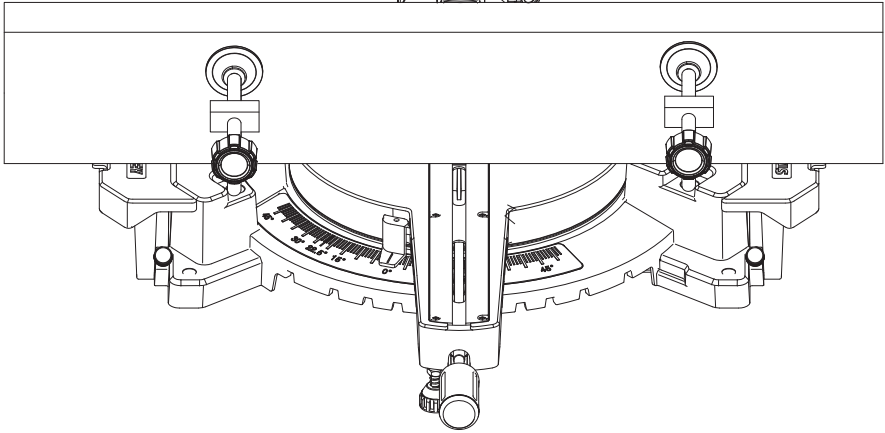
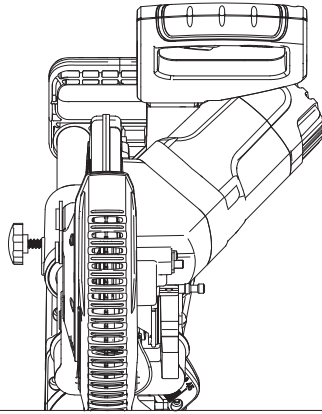


29



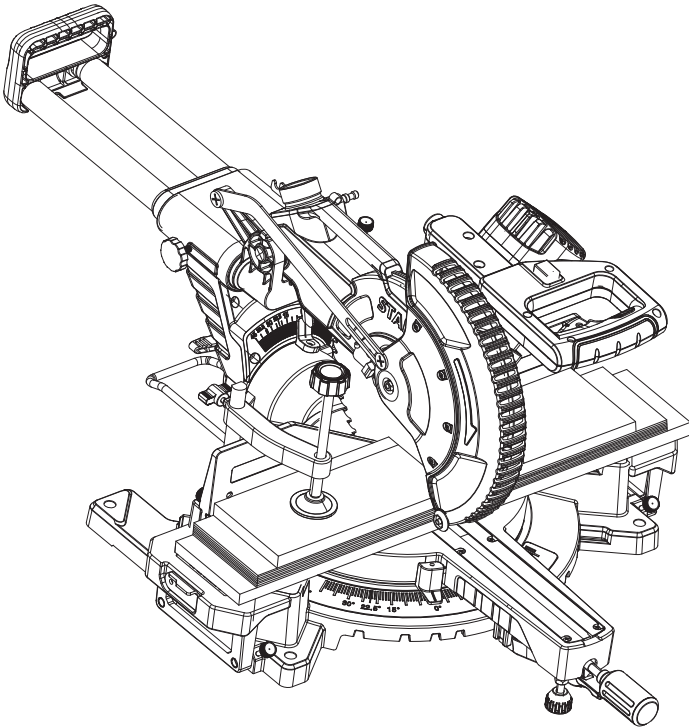
10

30

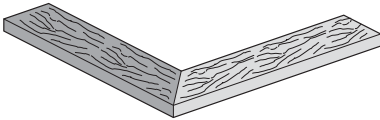


11

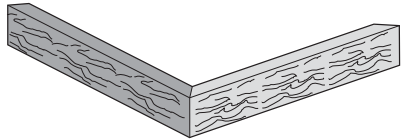
31



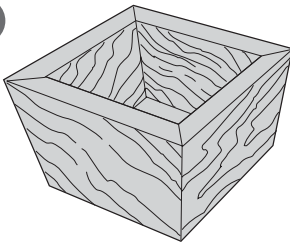
32



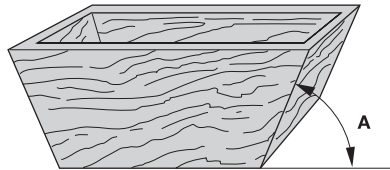
33



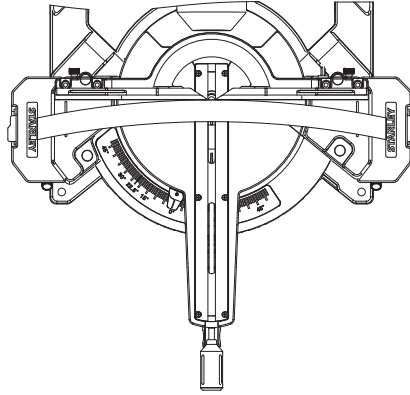
34



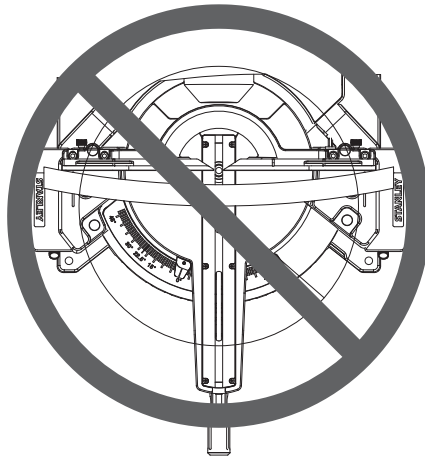
35



36



37



13

INTENDED USE

Your STANLEY Mitre Saw SM18 has been designed for cutting wood and aluminum, wood products, aluminum products and plastics. It performs the sawing operations of cross-cutting, bevelling and mitring easily, accurately and safely. This tool is intended for professional use.

SAFETY INSTRUCTIONS

The definitions below describe the level of severity for each signal word. Please read the manual and pay attention to these symbols.



DANGER: Indicates an imminently hazardous situation which, if not avoided, will result in death or serious injury.



WARNING: Indicates a potentially hazardous situation which, if not avoided, could result in death or serious injury.



CAUTION: Indicates a potentially hazardous situation which, if not avoided, may result in minor or moderate injury.

NOTICE: Indicates a practice not related to personal injury which, if not avoided, may result in property damage.



Denotes risk of electric shock.



Denotes risk of fire.



Warning: To reduce the risk of injury, read the instruction manual.

General Power Tool Safety Warnings



WARNING! Read all safety warnings, instructions, illustrations and specifications provided with this power tool. Failure to follow all instructions listed below may result in electric shock, fire and/or serious injury.

Save all warnings and instructions for future reference

The term "power tool" in the warnings refers to your mains-operated (corded) power tool or battery operated (cordless) power tool.

1. Work area safety

- Keep work area clean and well lit. Cluttered or dark areas invite accidents.
- Do not operate power tools in explosive atmospheres, such as in the presence of flammable liquids, gases or dust. Power tools create sparks which may ignite the dust or fumes.
- Keep children and bystanders away while operating a power tool. Distractions can cause you to lose control.

2. Electrical Safety

- Power tool plugs must match the outlet. Never modify the plug in any way. Do not use any adapter plugs with earthed (grounded) power tools.

Unmodified plugs and matching outlets will reduce risk of electric shock.

- Avoid body contact with earthed or grounded surfaces such as pipes, radiators, ranges and refrigerators. There is an increased risk of electric shock if your body is earthed or grounded.
 - Do not expose power tools to rain or wet conditions. Water entering a power tool will increase the risk of electric shock.
 - Do not abuse the cord. Never use the cord for carrying, pulling or unplugging the power tool. Keep cord away from heat, oil, sharp edges or moving parts. Damaged or entangled cords increase the risk of electric shock.
 - When operating a power tool outdoors, use an extension cord suitable for outdoor use. Use of a cord suitable for outdoor use reduces the risk of electric shock.
 - If operating a power tool in a damp location is unavoidable, use a residual current device (RCD) protected supply. Use of an RCD reduces the risk of electric shock.
- ### 3. Personal Safety
- Stay alert, watch what you are doing and use common sense when operating a power tool. Do not use a power tool while you are tired or under the influence of drugs, alcohol or medication. A moment of inattention while operating power tools may result in serious personal injury.
 - Use personal protective equipment. Always wear eye protection. Protective equipment such as a dust mask, non-skid safety shoes, hard hat, or hearing protection used for appropriate conditions will reduce personal injuries.
 - Prevent unintentional starting. Ensure the switch is in the off position before connecting to power source and/or battery pack, picking up or carrying the tool. Carrying power tools with your finger on the switch or energising power tools that have the switch on invites accidents.
 - Remove any adjusting key or wrench before turning the power tool on. A wrench or a key left attached to a rotating part of the power tool may result in personal injury.
 - Do not overreach. Keep proper footing and balance at all times. This enables better control of the power tool in unexpected situations.
 - Dress properly. Do not wear loose clothing or jewellery. Keep your hair and clothing away from moving parts. Loose clothes, jewellery or long hair can be caught in moving parts.
 - If devices are provided for the connection of dust extraction and collection facilities, ensure these are connected and properly used. Use of dust collection can reduce dust-related hazards.
 - Do not let familiarity gained from frequent use of tools allow you to become complacent and ignore tool safety principles. A careless action can cause severe injury within a fraction of a second.

4. Power Tool Use And Care

- a. **Do not force the power tool. Use the correct power tool for your application.** The correct power tool will do the job better and safer at the rate for which it was designed.
- b. **Do not use the power tool if the switch does not turn it on and off.** Any power tool that cannot be controlled with the switch is dangerous and must be repaired.
- c. **Disconnect the plug from the power source and/ or remove the battery pack, if detachable from the power tool before making any adjustments, changing accessories, or storing power tools.** Such preventive safety measures reduce the risk of starting the power tool accidentally.
- d. **Store idle power tools out of the reach of children and do not allow persons unfamiliar with the power tool or these instructions to operate the power tool.** Power tools are dangerous in the hands of untrained users.
- e. **Maintain power tools and accessories.** Check for misalignment or binding of moving parts, breakage of parts and any other condition that may affect the power tool's operation. If damaged, have the power tool repaired before use. Many accidents are caused by poorly maintained power tools.
- f. **Keep cutting tools sharp and clean.** Properly maintained cutting tools with sharp cutting edges are less likely to bind and are easier to control.
- g. **Use the power tool, accessories and tool bits etc. in accordance with these instructions, taking into account the working conditions and the work to be performed.** Use of the power tool for operations different from those intended could result in a hazardous situation.
- h. **Keep handles and grasping surfaces dry, clean and free from oil and grease.** Slippery handles and grasping surfaces do not allow for safe handling and control of the tool in unexpected situations.

5. Service

- a. **Have your power tool serviced by a qualified repair person using only identical replacement parts.** This will ensure that the safety of the power tool is maintained.

SAFETY INSTRUCTIONS FOR MITRE SAWS

- ◆ **Mitre saws are intended to cut wood or wood-like products, they cannot be used with abrasive cut-off wheels for cutting ferrous material such as bars, rods, studs, etc.** Abrasive dust causes moving parts such as the lower guard to jam. Sparks from abrasive cutting will burn the lower guard, the kerf insert and other plastic parts.
- ◆ **Use clamps to support the workpiece whenever possible.** If supporting the workpiece by hand, you must always keep your hand at least 100 mm from either side of the saw blade. Do not use this saw to cut pieces that are too small to be securely clamped or held by hand. If your hand is

placed too close to the saw blade, there is an increased risk of injury from blade contact.

- ◆ **The workpiece must be stationary and clamped or held against both the fence and the table. Do not feed the workpiece into the blade or cut "freehand" in any way.** Unrestrained or moving workpieces could be thrown at high speeds, causing injury.
- ◆ **Push the saw through the workpiece. Do not pull the saw through the workpiece. To make a cut, raise the saw head and pull it out over the workpiece without cutting, start the motor, press the saw head down and push the saw through the workpiece.** Cutting on the pull stroke is likely to cause the saw blade to climb on top of the workpiece and violently throw the blade assembly towards the operator.
- ◆ **Never cross your hand over the intended line of cutting either in front or behind the saw blade.** Supporting the workpiece "cross handed" i.e. holding the workpiece to the right of the saw blade with your left hand or vice versa is very dangerous.
- ◆ **Do not reach behind the fence with either hand closer than 100 mm from either side of the saw blade, to remove wood scraps, or for any other reason while the blade is spinning.** The proximity of the spinning saw blade to your hand may not be obvious and you may be seriously injured.
- ◆ **Inspect your workpiece before cutting.** If the workpiece is bowed or warped, clamp it with the outside bowed face toward the fence. Always make certain that there is no gap between the workpiece, fence and table along the line of the cut. Bent or warped workpieces can twist or shift and may cause binding on the spinning saw blade while cutting. There should be no nails or foreign objects in the workpiece.
- ◆ **Do not use the saw until the table is clear of all tools, wood scraps, etc., except for the workpiece.** Small debris or loose pieces of wood or other objects that contact the revolving blade can be thrown with high speed.
- ◆ **Cut only one workpiece at a time.** Stacked multiple workpieces cannot be adequately clamped or braced and may bind on the blade or shift during cutting.
- ◆ **Ensure the mitre saw is mounted or placed on a level, firm work surface before use.** A level and firm work surface reduces the risk of the mitre saw becoming unstable.
- ◆ **Plan your work.** Every time you change the bevel or mitre angle setting, make sure the adjustable fence is set correctly to support the workpiece and will not interfere with the blade or the guarding system. Without turning the tool "ON" and with no workpiece on the table, move the saw blade through a complete simulated cut to assure there will be no interference or danger of cutting the fence.
- ◆ **Provide adequate support such as table extensions, saw horses, etc. for a workpiece that is wider or longer than the table top.** Workpieces longer or wider than the mitre saw table can tip if not securely supported. If the cut-off piece or workpiece

- tips, it can lift the lower guard or be thrown by the spinning blade.
- ◆ **Do not use another person as a substitute for a table extension or as additional support.** Unstable support for the workpiece can cause the blade to bind or the workpiece to shift during the cutting operation pulling you and the helper into the spinning blade.
 - ◆ **The cut-off piece must not be jammed or pressed by any means against the spinning saw blade.** If confined, i.e. using length stops, the cut-off piece could get wedged against the blade and thrown violently.
 - ◆ **Always use a clamp or a fixture designed to properly support round material such as rods or tubing.** Rods have a tendency to roll while being cut, causing the blade to "bite" and pull the work with your hand into the blade.
 - ◆ **Let the blade reach full speed before contacting the workpiece.** This will reduce the risk of the workpiece being thrown.
 - ◆ **If the workpiece or blade becomes jammed, turn the mitre saw off. Wait for all moving parts to stop and disconnect the plug from the power source and/ or remove the battery pack. Then work to free the jammed material.** Continued sawing with a jammed workpiece could cause loss of control or damage to the mitre saw.
 - ◆ **After finishing the cut, release the switch, hold the saw head down and wait for the blade to stop before removing the cut-off piece.** Reaching with your hand near the coasting blade is dangerous.
 - ◆ **Hold the handle firmly when making an incomplete cut or when releasing the switch before the saw head is completely in the down position.** The braking action of the saw may cause the saw head to be suddenly pulled downward, causing a risk of injury.
- ◆ Never place either hand in the blade area when the saw is connected to the electrical power source.
 - ◆ Never attempt to stop a machine in motion rapidly by jamming a tool or other means against the blade; serious accidents can occur.
 - ◆ Before using any accessory consult the instruction manual. The improper use of an accessory can cause damage.
 - ◆ Use a holder or wear gloves when handling a saw blade.
 - ◆ Ensure that the saw blade is mounted correctly before use.
 - ◆ Make sure that the blade rotates in the correct direction.
 - ◆ Take care when slotting.
 - ◆ Do not use blades of larger or smaller diameter than recommended. For the proper blade rating refer to the technical data. Use only the blades specified in this manual, complying with EN 847-1.
 - ◆ Consider applying specially designed noise-reduction blades.
 - ◆ Do not use HSS blades.
 - ◆ Do not use cracked or damaged saw blades.
 - ◆ Do not use any abrasive or diamond discs.
 - ◆ Never use your saw without the kerf plate.
 - ◆ Raise the blade from the kerf in the workpiece prior to releasing the switch.
 - ◆ Do not wedge anything against the fan to hold the motor shaft.
 - ◆ The blade guard on your saw will automatically raise when the arm is brought down; it will lower over the blade when head lock up release lever (cc) is pushed.
 - ◆ Never raise the blade guard manually unless the saw is switched off. The guard can be raised by hand when installing or removing saw blades or for inspection of the saw.
 - ◆ Check periodically that the motor air slots are clean and free of chips.
 - ◆ Replace the kerf plate when worn. Refer to service parts list included.
 - ◆ Disconnect the machine from the mains before carrying out any maintenance work or when changing the blade.
 - ◆ Never perform any cleaning or maintenance work when the machine is still running and the head is not in the rest position.
 - ◆ When possible, always mount the machine to a bench.
 - ◆ The front section of the guard is louvered for visibility while cutting. Although the louvers dramatically reduce flying debris, they are openings in the guard and safety glasses should be worn at all times when viewing through the louvers.
 - ◆ Connect the saw to a dust collection device when sawing wood. Always consider factors which influence exposure of dust such as:
 - type of material to be machined (chip board produces more dust than wood);

ADDITIONAL SAFETY RULES FOR MITRE SAWS

- ◆ The machine is provided with a special configured power supply cord which can only be replaced by the manufacturer or its authorised service agent.
- ◆ Do not use the saw to cut other materials than those recommended by the manufacturer.
- ◆ Cutting plastics, sap coated wood, and other materials may cause melted material to accumulate on the blade tips and the body of the saw blade, increasing the risk of blade overheating and binding while cutting.
- ◆ Do not operate the machine without guards in position, or if guards do not function or are not maintained properly.
- ◆ Ensure that the arm is securely fixed when performing bevel cuts.
- ◆ Keep the floor area around the machine level, well-maintained and free of loose materials, e.g., chips and cut-offs.
- ◆ Use correctly sharpened saw blades. Observe the maximum speed mark on the saw blade.
- ◆ Make sure all locking knobs and clamp handles are tight before starting any operation.

- sharpness of the saw blade;
- correct adjustment of the saw blade,
- dust extractor with air velocity not less than 20 m/s.

Ensure that the local extraction as well as hoods, baffles and chutes are properly adjusted.

- ◆ Please be aware of the following factors influencing exposure to noise:
 - use saw blades designed to reduce the emitted noise;
 - use only well sharpened saw blades;
- ◆ Machine maintenance shall be conducted periodically;
- ◆ Machine faults, including guards or saw blade, shall be reported as soon as they are discovered;
- ◆ Provide adequate general or localized lighting;
- ◆ Ensure the operator is adequately trained in the use, adjustment and operation of the machine;
- ◆ Ensure that any spacers and spindle rings are suitable for the purpose as stated in this manual.
- ◆ Refrain from removing any cut-offs or other parts of the workpiece from the cutting area while the machine is running and the saw head is not in the rest position
- ◆ Never cut workpieces shorter than 30 mm (Figure 34).
- ◆ Without additional support the machine is designed to accept the maximum workpiece size of:
 - Height 75 mm by width 140 mm by length 460 mm
 - Longer workpieces need to be supported by suitable additional table (work support). Always clamp the workpiece safely.
- ◆ In case of an accident or machine failure, immediately turn the machine off and disconnect machine from the power source.
- ◆ Report the failure and mark the machine in suitable form to prevent other people from using the defective machine.
- ◆ When the saw blade is blocked due to abnormal feed force during cutting, turn the machine off and disconnect it from power supply. Remove the workpiece and ensure that the saw blade runs free. Turn the machine on and start new cutting operation with reduced feed force.
- ◆ Never cut light alloy, especially magnesium.
- ◆ Whenever the situation allows, mount the machine to a bench using bolts.

RESIDUAL RISKS

The following risks are inherent to the use of saws:

- injuries caused by touching the rotating parts

In spite of the application of the relevant safety regulations and the implementation of safety devices, certain residual risks cannot be avoided. These are:

- Impairment of hearing.
- Risk of accidents caused by the uncovered parts of the rotating saw blade.
- Risk of injury when changing the blade.
- Risk of squeezing fingers when opening the guards.

- Health hazards caused by breathing dust developed when sawing wood, especially oak, beech and MDF.

The following factors increase the risk of breathing problems:

- No dust extractor connected when sawing wood.
- Insufficient dust extraction caused by uncleaned exhaust filters.

ELECTRICAL SAFETY

Only one voltage is applicable to this tool. Be sure to check that the power supply corresponds to the voltage on the rating plate.



Your Stanley tool is equipped with double insulation, hence, it does not require to be earthed

When the power cord is damaged, have it sent to a STANLEY service center for replacement to specially prepared cables.

USING AN EXTENSION CABLE

If an extension cable is required, use an approved 3-core extension cable suitable for the power input of this tool (see **Technical Data**). The minimum conductor size is 1.5 mm²; the maximum length is 30 m. When using a cable reel, always unwind the cable completely.






Cable cross-sectional area (mm ²)	Cable rated current (Ampere)
0.75	6
1.00	10
1.50	15
2.50	20
4.00	25






Cable length (m)						
	7.5	15	25	30	45	60

Voltage	Amperes	Cable rated current (Ampere)					
110-127	0 - 2.0	6	6	6	6	6	10
	2.1 - 3.4	6	6	6	6	15	15
	3.5 - 5.0	6	6	10	15	20	20
	5.1 - 7.0	10	10	15	20	20	25
	7.1 - 12.0	15	15	20	25	25	-
230	12.1 - 20.0	20	20	25	-	-	-
	0 - 2.0	6	6	6	6	6	6
	2.1 - 3.4	6	6	6	6	6	6
	3.5 - 5.0	6	6	6	6	10	15
	5.1 - 7.0	10	10	10	10	15	15
	7.1 - 12.0	15	15	15	15	20	20
	12.1 - 20.0	20	20	20	20	25	-

LABELS ON TOOL

In addition to the pictographs used in this manual, the labels on the tool show the following pictographs:

	WARNING! To reduce the risk of injury, the user must read the instruction manual before use.
	Wear safety glasses or goggles.
	Wear ear protection.
	Wear a dust mask.
	Keep your hands away from this area

V	Volts		Direct Current
A	Amperes	n_0	No-Load Speed
Hz	Hertz		Class II Construction
W	Watts		Earthing Terminal
min	minutes		Safety Alert Symbol
	Alternating Current	/min.	Revolutions or Reciprocation per minute

Date Code Position (Fig. 1)

The Date Code, which also includes the year of manufacture, is printed into the housing.

Example: 2019 XX XX

Year of Manufacture

THE PACKAGE CONTAINS

- 1 Mitre Saw
- 1 Blade wrench stored in wrench pocket
- 1 Saw blade
- 1 Dust bag
- 1 Vertical clamp
- 1 Rear support
- 1 Instruction manual

- ◆ Check for damage to the tool, parts or accessories which may have occurred during transport.
- ◆ Take the time to thoroughly read and understand this manual prior to operation.

Description (Fig. 1, 2, 3, 5, 6, 12, 23, 27, 28)



WARNING: Never modify the power tool or any part of it. Damage or personal injury could result.

- a. Operating handle
- b. Lower guard
- c. Right side, fence
- d. Table
- e. Mitre lock knob
- f. Mitre scale
- g. Base
- h. Extension knob
- i. Wrench
- j. Bench mounting holes
- k. Fence clamping knob
- l. Trigger switch
- m. Carrying handle
- n. Dust spout
- o. Lock down pin
- p. Bevel clamp knob
- q. Bevel scale
- r. Hand indentation
- s. Kerf plate
- t. Mitre detent
- u. Date code
- v. Left side, fence
- w. End cap
- x. Spindle lock
- y. Hole for padlock
- z. Angle position stop
- aa. Bevel position adjustment stop
- bb. LED switch
- cc. Vertical position adjustment stop
- dd. Lock-off lever
- ee. Length stop
- ff. Dust bag
- gg. Vertical clamp
- ii. Work support
- jj. Fence stop screw
- mm. Rear support
- aaa. Rear handle
- bbb. Mitre arm support
- ccc. Work support clamping knob
- ddd. Rail lock knob
- fff. Bevel lock knob
- ggg. Slide stop control

ASSEMBLY AND ADJUSTMENT



WARNING: To reduce the risk of injury, turn unit off and disconnect machine from power source before installing and removing accessories, before adjusting or changing set-ups or when making repairs. Be sure the trigger switch is in the OFF position. An accidental start-up can cause injury.


Unpacking (Fig. 2, 4, 5, 6)

- ♦ Remove the saw from the packing material carefully using the carrying handle (m) and rear handle(aaa).
- ♦ Use the supplied blade wrench(i) to mount the rear support (mm) to the back of base(g).
- ♦ Press down the operating handle (a) and pull out the lock down pin (o), as shown.
- ♦ Gently release the downward pressure and allow the arm to rise to its full height.


Bench Mounting (Fig. 7)

- ♦ Holes (j) are provided in all four feet to facilitate bench mounting. Always mount your saw firmly to prevent movement. To enhance the portability, the tool can be mounted to a piece of 15 mm or thinner plywood which can then be clamped to your work support or moved to other job sites and reclamped.
- ♦ When mounting your saw to a piece of plywood, make sure that the mounting screws do not protrude from the bottom of the wood. The plywood must sit flush on the work support. When clamping the saw to any work surface, clamp only on the clamping bosses where the mounting screw holes are located. Clamping at any other point will interfere with the proper operation of the saw.
- ♦ To prevent binding and inaccuracy, be sure the mounting surface is not warped or otherwise uneven. If the saw rocks on the surface, place a thin piece of material under one saw foot until the saw is firm on the mounting surface.

Mounting the Saw Blade (Fig. 8, 9, 10)

 **WARNING:** To reduce the risk of injury, turn unit off and disconnect machine from power source before installing and removing accessories, before adjusting or changing set-ups or when making repairs. Be sure the trigger switch is in the OFF position. An accidental start-up can cause injury.

- ♦ Never depress the spindle lock button while the blade is under power or coasting.
 - ♦ Do not cut light alloy and ferrous metal (containing iron or steel) or masonry or fibre cement product with this mitre saw.
 - ♦ Should use the corresponding blade cutting different materials.
1. With the lower guard held in the raised position loosen the guard bracket screw (kk) until the guard bracket (ll) raises far enough to access the blade locking screw (nn).
 2. Depress the spindle lock button (x) with one hand and with the other hand use the wrench (i) provided to loosen the left-hand threaded blade locking screw (nn) by turning clockwise.

 **WARNING:** To use the spindle lock, press the button as shown and rotate the spindle by hand until you feel the lock engage.

Continue to hold the lock button in to keep the spindle from turning.

3. Remove the blade locking screw (nn) and the outside arbor collar (pp).
4. Install the saw blade (oo) onto the blade adaptor (uu) seated directly against the inside arbor collar (rr), making sure that the teeth at the bottom edge of the blade are pointing toward the back of the saw (away from the operator).
5. Replace the outer arbor collar (pp).
6. Tighten the blade locking screw (nn) carefully by turning counter-clockwise while holding the spindle lock engaged with your other hand.
7. Return the guard bracket (ll) to its original position and firmly tighten the guard bracket screw (kk) to hold bracket in place.



WARNING! Be aware the saw blade shall be replaced in the described way only. Only use saw blades as specified under **Technical Data**.



WARNING! The guard bracket(ll) must be returned to its original position and the guard bracket screw(kk) tightened before activating the saw.



WARNING! Failure to do so may allow the guard to contact the spinning saw blade resulting in damage to the saw and severe personal injury.

Your mitre saw was accurately adjusted at the factory. If readjustment due to shipping and handling or any other reason is required, follow the steps below to adjust your saw. Once made, these adjustments should remain accurate.

Checking and Adjusting the Mitre Scale (Fig. 11, 12, 13)

1. Loosen the mitre lock knob (e), depress the mitre detent (t) to release the mitre arm. Swing the mitre arm until the latch locates it at the 0° mitre position. Do not lock mitre lock knob (e).
2. Pull down the head until the blade just enters the saw kerf (s).
3. Place a square (tt) against the left side fence (v) and blade (oo) (Fig. 11).



WARNING: Do not touch the tips of the blade teeth with the square.

If adjustment is required, proceed as follows:

4. Tighten the mitre lock knob (e). Loosen the fence clamping knob (k), remove the left side fence (v) and right side fence (c).
5. Loosen 4 hex bolts behind the fence, adjust the base fence as the necessary to against the square (tt).
6. Tighten the hex bolts, and install the side fence.the wrench (i) to tighten the hex bolts on the fence in the order from the right side.

Checking and Adjusting the Blade to the Table (Fig. 14, 15, 16)

1. Loosen the bevel clamp knob (p).
2. Press the mitre arm to the right to ensure it is fully vertical with the angle position stop located against the vertical position adjustment stop (cc) and tighten the bevel clamp knob.
3. Pull down the head until the blade just enters the saw kerf (s).
4. Place a set square (tt) on the table and up against the blade (oo) (Fig. 15).



WARNING: Do not touch the tips of the blade teeth with the square.

If adjustment is required, proceed as follows:

5. Loosen the lock nut (ww) a few turns and turn the bevel position adjustment stop screw (cc) in or out until the pointer (xx) indicates 45°-0° with the angle position stop resting on the bevel position adjustment stop.
6. Firmly tighten the lock nut (ww) while holding the stop screw(cc) stationary.
7. If the bevel pointer (xx) does not indicate zero on the bevel scale (q), loosen the screw (yy) that secures the pointer and move the pointer as necessary

Adjusting the Fence (Fig. 17)

The upper part of the fence can be adjusted to provide clearance, allowing the saw to bevel to 45° left and 0° right.

To adjust the left fence (v) and right side fence(c):

1. Loosen the plastic knob (k) and slide the fence to the left.
2. Make a no load running with the saw switched off and check for clearance. Adjust the fence to be as close to the blade as practical to provide maximum workpiece support, without interfering with the up and down movement of the arm.
3. Tighten the knob securely.



WARNING: The guide grooves (zz) can become clogged with sawdust. Use a stick or some low pressure air to clear the guide grooves.

Checking and Adjusting the Bevel Angle (Fig. 17, 18, 19)

1. Loosen the left side fence clamping knob (k) and slide the upper part of the left side fence to the left as far as it will go.
2. Loosen the bevel clamp knob (p) and move the saw arm to the left 45° bevel position

If adjustment is required, proceed as follows:

3. Loosen the locknut (ww) a few turns and turn the bevel position adjustment stop screw (aa) in or out until the pointer (xx) indicates 45° with the angle position stop (z) resting on the bevel position adjustment stop.
4. Firmly tighten the lock nut (ww) while holding the stop screw (aa) stationary.

5. To achieve a 0° or a 45° right/left bevel, the three adjustment stop screws must be adjusted to allow the saw arm to move as necessary.

Adjusting the Depth Stop (Sawing Grooves) (Fig.20)

This operation is necessary if you want to saw a groove.

- Move the depth stop plate (hhh) to the place as shown Fig.20.
- Tilt the tool head by the handle to the position at which the requested groove depth is reached.
- Turn the adjusting screw(ss) clockwise until the end of the screw touches the housing stop.
- Guide the tool arm slowly upward.

Return the depth stop plate (hhh) to its original position once sawing grooves done.

Ensure that saw blades do not touch any part of the base or kerf plate.

Guard Actuation and Visibility

The blade guard on your saw has been designed to automatically raise when the arm is brought down and to lower over the blade when the arm is raised.

The guard can be raised by hand when installing or removing saw blades or for inspection of the saw. **NEVER RAISE THE BLADE GUARD MANUALLY UNLESS THE SAW IS TURNED OFF.**

NOTE: Certain special cuts will require that you manually raise the guard. The front section of the guard is lowered for visibility while cutting. Although the louvers dramatically reduce flying debris, they are openings in the guard and safety glasses should be worn at all times when viewing through the louvers.

Automatic Electric Brake

Your saw is equipped with an automatic electric blade brake which stops the saw blade within 10 seconds of trigger release. This is not adjustable.

On occasion, there may be a delay after trigger release to brake engagement. On rare occasions, the brake may not engage at all and the blade will coast to a stop.

If a delay or "skipping" occurs, turn the saw on and off 4 or 5 times. If the condition persists, have the tool serviced by an authorized STANLEY service center.

Always be sure the blade has stopped before removing it from the kerf. The brake is not a substitute for guards or for ensuring your own safety by giving the saw your complete attention.

Kerf Plate Adjustment

To adjust the kerf plates, loosen the screws holding the kerf plates in place. Adjust the kerf plates are as close as possible without interfering with the blade's movement.

Brushes (Fig. 1)



WARNING: To reduce the risk of serious personal injury, turn off the tool and disconnect it from the power source before attempting to move it, change accessories or make any adjustments.

Inspect carbon brushes regularly by unplugging the tool, removing the Brush holder cap (W) that holds the

spring-loaded brush assembly. Keep brushes clean and sliding freely in their guides. Always replace a used brush in the same orientation in the holder as it was prior to its removal.

Use only identical STANLEY brushes. Use of the correct grade of brush is essential for proper operation of electric brake. The tool must run at no load for 10 minutes before use. The electric brake may be erratic in operation until the brushes are properly seated. While running at no load do not tie, tape, or otherwise lock the trigger switch on.

Rail Lock Knob (Fig. 2)

The rail lock knob (ddd) allows you to lock the saw head firmly on sliding on the rails. This is necessary when making certain cuts or when transporting the saw.

Sliding Stop (Fig. 21)

The sliding stop control (ggg) positions your saw rails so that the largest possible verticle moldings can be cut. ALWAYS TIGHTEN THE RAIL LOCK KNOB WHEN USING THE SLIDE STOP TO PREVENT THE SLIDE SYSTEM FROM MOVING UNINTENTIONALLY

Head Lock Down Pin (Fig. 6)

To lock the saw head in the down position, push the head down, push the pin (o) in and release the saw head. This will hold the saw head safely down for moving the saw from place to place. To release, press the saw head down and pull the pin out.

USE



WARNING: Always observe the safety instructions and applicable regulations.



WARNING: To reduce the risk of serious personal injury, turn tool off and disconnect tool from power source before making any adjustments or removing/installing attachments or accessories.

Ensure the machine is placed to satisfy your ergonomic conditions in terms of table height and stability. The machine site shall be chosen so that the operator has a good overview and enough free surrounding space around the machine that allows handling of the workpiece without any restrictions.

To reduce effects of vibration make sure the environment temperature is not too cold, machine and accessory is well maintained and the workpiece size is suitable for this machine.

Prior to Operation

- ◆ Install the appropriate saw blade. Do not use excessively worn blades. The maximum rotation speed of the tool must not exceed that of the saw blade.
- ◆ Do not attempt to cut excessively small pieces.
- ◆ Allow the blade to cut freely. Do not force.
- ◆ Allow the motor to reach full speed before cutting.
- ◆ Make sure all locking knobs and clamp handles are tight.
- ◆ Secure the workpiece.

- ◆ Although this saw will cut wood and many nonferrous materials, we will limit our discussion to the cutting of wood only. The same guidelines apply to the other materials. **DO NOT CUT FERROUS (IRON AND STEEL) MATERIALS OR MASONRY WITH THIS SAW.** Do not use any abrasive blades.
- ◆ Make sure to use the kerf plate. Do not operate the machine if the kerf slot is wider than 12 mm.
- ◆ Never cut workpieces shorter than 30 mm (Fig.22).

Switching On and Off (Fig.23)

To turn the saw on, push the lock-off lever (dd) to the left, then depress the trigger switch (l) . The saw will run while the switch is depressed. Allow the blade to spin up to full operating speed before making the cut. To turn the saw off, release the trigger switch (l). Allow the blade to stop before raising the saw head. There is no provision for locking the switch on. A hole (y) is provided in the trigger for insertion of a padlock to lock the switch off.

LED Worklight System (Fig. 1, 23)

The LED Worklight System is equipped with an on/off switch (bb) independent of the mitre saw's trigger switch.

The light does not need to be on in order to operate the saw..

To cut through an existing pencil line on a piece of wood:

1. Turn on the switch (bb), then pull down on the operating handle (a) to bring the saw blade close to the wood. The shadow of the blade will appear on the wood.
2. Align the pencil line with the edge of the blade's shadow. You may have to adjust the mitre or bevel angles in order to match the pencil line exactly.

Body and Hand Position

Proper positioning of your body and hands when operating the mitre saw will make cutting easier, more accurate and safer.

- ◆ Never place your hands near the cutting area.
- ◆ Place your hands no closer than 150 mm from the blade.
- ◆ Hold the workpiece tightly to the table and the fence when cutting. Keep your hands in position until the switch has been released and the blade has completely stopped.
- ◆ Always make no load running before finish cuts so that you can check the path of the blade.
- ◆ Do not cross your hands.
- ◆ Keep both feet firmly on the floor and maintain proper balance.
- ◆ As you move the saw arm left and right, follow it and stand slightly to the side of the saw blade.
- ◆ View through the guard louveres when following a pencil line.

Cutting With Your Saw

When cutting anything larger than a 82 x 110mm (82 x 74 mm at 450 miter) workpiece, use an out-downback motion with the rail lock knob (ddd) loosened.

Pull the saw out toward you, lower the saw head down toward the workpiece, and slowly push the saw back to complete the cut. Do not allow the saw to contact the top of the workpiece while pulling out. The saw may run toward you, possibly causing personal injury or damage to the workpiece. If the sliding feature is not used, ensure the saw head is pushed back as far as possible and the rail lock knob is tightened. This will prevent the saw from sliding along its rails as the workpiece is engaged.

Note: Although this saw will cut wood and many nonferrous materials, we will limit our discussion to the cutting of wood only. The same guidelines apply to the other materials. **DO NOT CUT FERROUS (IRON AND STEEL) MATERIALS OR MASONRY WITH THIS SAW.** Do not use any abrasive blades.

Basic Saw Cuts

Vertical Straight Cross Cut (Fig. 1, 2, 24)

NOTE: Always use 254 mm saw blades with 25.4mm arbor holes to obtain the desired cutting capacities.

1. Loosen the mitre lock knob (e) and depress the mitre detent (t) to release the mitre arm.
2. Engage the mitre latch at the 0° position and tighten the mitre lock knob (e).
3. Place the wood to be cut against the fence (c, v).
4. Take hold of the operating handle (a) and push the lock-off lever (dd) to the left.
5. Press the trigger switch (l) to start the motor.
6. Depress the head to allow the blade to cut through the timber and enter the plastic kerf plate (s).
7. After completing the cut, release the switch and wait for the saw blade to come to a complete standstill before returning the head to its upper rest position.

Vertical Mitre Cross-cuts (Fig. 1, 2, 25)

1. Loosen the mitre lock knob (e) and depress the mitre detent (t). Move the head left or right to the required angle.
2. The mitre detent will automatically locate at 0°, 15°, 22.5°, 31.6° and 45°. If any intermediate angle or 52° is required hold the head firmly and lock by tightening the mitre lock knob (e).
3. Always ensure that the mitre lock lever is locked tightly before cutting.
4. Proceed as for a vertical straight cross-cut.



WARNING: When mitring the end of a piece of wood with a small off-cut, position the wood to ensure that the off-cut is to the side of the blade with the greater angle to the fence; i.e. left mitre, off-cut to the right - right mitre, off-cut to the left.

Bevel Cuts (Fig. 1, 2, 26)

Bevel angles can be set from 0° right to 45° left and can be cut with the mitre arm set between zero and a maximum of 45° mitre position right or left.

1. Loosen the left side fence clamping knob (k) and slide the upper part of the left side fence (v) to the left as far

as it will go. Loosen the bevel clamp knob (p) and set the bevel as desired.

2. Tighten the bevel clamp knob (p) firmly.
3. Proceed as for a vertical straight cross-cut.

0° Bevel Override (Fig.27)

The bevel stop override allows you to bevel the saw to the right past the 0° position. When engaged, the saw will automatically stop at 0° when brought up from the left. To temporarily move past 0° to the right, pull the bevel lock knob (ff). Once the knob is released, the override will be reengaged. The bevel lock knob can be locked out by twisting the knob 90°. When at 0°, the override locks in place. To operate the override, bevel the saw slightly to the left.

Quality of Cuts

The smoothness of any cut depends on a number of variables, e.g. the material being cut. When smoothest cuts are desired for moulding and other precision work, a sharp (60 tooth carbide) blade and a slower for wood, a sharp (80-120 tooth carbide) blade and a slower for aluminum, even cutting rate will produce the desired results.



WARNING: Ensure that the material does not creep while cutting; clamp it securely in place. Always let the blade come to a full stop before raising the arm. If small fibres of wood still split out at the rear of the workpiece, stick a piece of masking tape on the wood where the cut will be made. Saw through the tape and carefully remove tape when finished.

Sawing Workpieces of the Same Length (Fig. 28)

The length stop (ee) can be used for easily sawing workpieces to the same length.

The length stop is mounted on the saw work support(ii).

– Unfold the length stop(ee)

– Set the saw work support(ii) to the required length

Extending the Saw Table (Fig.28)

1. Always support long pieces.
2. For best results, use the extension work support (ii) to extend the table width of your saw. Support long workpieces using any convenient means such as saw-horses or similar devices to keep the ends from dropping.
3. Loosen the knob(h), extend the work support(ii) as needed. Then tighten the knob(h).

Clamping the Workpiece (Fig. 3, 29, 30)

1. Whenever possible, clamp the wood/ aluminum to the saw.
2. For best results use the clamp (gg) made for use with your saw. Clamp the workpiece to the fence whenever possible. You can clamp to either side of the saw blade; remember to position your clamp against a solid, flat surface of fence.

- Mounting the clamp: Inserting the vertical clamp to the holes(mm) as shown in Figure 7, then rotate to the right position. If horizontal clamp is needed, please mounting the horizontal clamp to the holes(qq) as shown in Figure 30.



WARNING: Always use a material clamp when cutting non-ferrous metals.



WARNING: Always use both of vertical clamp and horizontal clamp when cutting small pieces.

Cutting Aluminum Extrusion



WARNING: Never attempt to cut thick or round aluminum extrusions. Thick aluminum extrusions may come loose during operation and round aluminum extrusions cannot be secured firmly with this tool.

When securing aluminum extrusions, use spacer blocks or pieces of scrap as shown in the Fig.28 to prevent deformation of the aluminum. Use a cutting lubricant when cutting the aluminum extrusion to prevent build-up of the aluminum material on the blade.

Cutting Picture Frames, Shadow Boxes and Other Four-sided Projects (Fig. 32, 33)

Trim Moulding And Other Frames

Try a few simple projects using scrap wood until you develop a "feel" for your saw. Your saw is the perfect tool for mitring corners like the one shown in figure 32. The joint shown has been made using either bevel adjustment.

Using Bevel Adjustment

The bevel for the two boards is adjusted to 45° each, producing a 90° corner. The mitre arm is locked in the zero position. The wood is positioned with the broad flat side against the table and the narrow edge against the fence.

Using Mitre Adjustment

The same cut can be made by mitring right and left with the broad surface against the fence.

The two sketches (Fig. 29, 30) are for four side objects only. As the number of sides changes, so do the mitre and bevel angles. The chart below gives the proper angles for a variety of shapes, assuming that all sides are of equal length. For a shape that is not shown in the chart, divide 180° by the number of sides to determine the mitre or bevel angle.

No. of sides	Angle mitre or bevel
4	45°
5	36°
6	30°
7	25.7°
8	22.5°
9	20°
10	18°

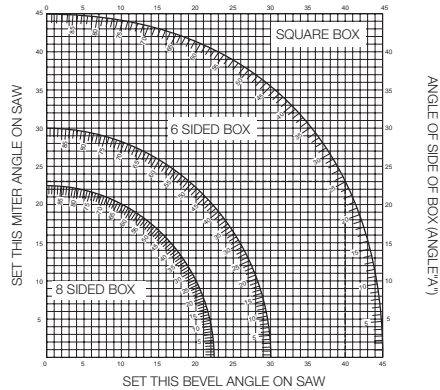
Compound Mitre (Fig. 32, 33, 34, 35)

A compound mitre is a cut made using a mitre angle (Fig. 30) and a bevel angle (Fig. 29) at the same time. This is the type of cut used to make frames or boxes with slanting sides like the one shown in figure 34.



WARNING: If the cutting angle varies from cut to cut, check that the bevel clamp knob and the mitre lock knob are securely tightened. These knobs must be tightened after making any changes in bevel or mitre.

- The chart shown below will assist you in selecting the proper bevel and mitre settings for common compound mitre cuts. To use the chart, select the desired angle "A" (Fig. 32) of your project and locate that angle on the appropriate arc in the chart. From that point follow the chart straight down to find the correct bevel angle and straight across to find the correct mitre angle.



- Set your saw to the prescribed angles and make a few trial cuts.
- Practice fitting the cut pieces together.
- Example: To make a 4 sided box with 25° exterior angles (angle "A") (Fig. 35), use the upper right arc. Find 25° on the arc scale. Follow the horizontal intersecting line to either side to get the mitre angle setting on the saw (23°). Likewise follow the vertical intersecting line to the top or bottom to get the bevel angle setting on the saw (40°). Always try cuts on a few scrap pieces of wood to verify the settings on the saw.

Cutting Base Mouldings

Always tighten the rail lock knob (ddd) and sliding stop (ggg) during base moulding cut.

The cutting of base moulding is performed at a 45° bevel angle.

- Always make no load running without power before making any cuts.
- All cuts are made with the back of the moulding laying flat on the saw.

Inside Corner

Left Side

1. Position the moulding with top of the moulding against the fence.
2. Save the left side of the cut.

Right Side

1. Position the moulding with the bottom of the moulding against the fence.
2. Save the left side of the cut.

Outside Corner

Left Side

1. Position the moulding with the bottom of the moulding against the fence.
2. Save the right side of the cut.

Right Side

1. Position the moulding with top of the moulding against the fence.
2. Save the right side of the cut.

Cutting Crown Mouldings

The cutting of crown moulding is performed in a compound mitre.

In order to achieve extreme accuracy, your saw has pre-set angle positions at 31.6° mitre and there is also a mark on the Bevel scale at 33.9°. These settings are for standard crown mouldings with 52° angles at the top and 38° angles at the bottom.

- ◆ Make test cuts using scrap material before doing the final cuts.
- ◆ All cuts are made in a left bevel and with the back of the moulding against the base.

Inside Corner

Left Side

1. Top of the moulding against the fence.
2. Mitre right.
3. Save the left side of the cut.

Right Side

1. Bottom of the moulding against the fence.
2. Mitre left.
3. Save the left side of the cut.

Outside Corner

Left side

1. Bottom of the moulding against the fence.
2. Mitre left.
3. Save the left side of the cut.

Right Side

1. Top of the moulding against the fence.
2. Mitre right.
3. Save the right side of the cut.

Special Cuts

- ◆ All cuts are made with the material secured to the

table and against the fence. Be sure to properly secure workpiece.

Bowed Material (Fig. 36, 37)

When cutting bowed material always position it as shown in Figure 35 and never like that shown in Figure 36. Positioning the material incorrectly will cause it to pinch the blade near the completion of the cut.

Cutting Plastic Pipe or Other Round Material

Plastic pipe can be easily cut with your saw. It should be cut just like wood/ aluminum and clamped or held firmly to the fence to keep it from rolling. This is extremely important when making angle cuts.

Cutting Large Material

Occasionally a piece of wood will be too large to fit beneath the blade guard. A little extra height can be gained by rolling the guard up out of the way, as shown in Figure 37. Avoid doing this as much as possible, but if need be, the saw will operate properly and make the bigger cut. **NEVER TIE, TAPE, OR OTHERWISE HOLD THE GUARD OPEN WHEN OPERATING THIS SAW.**

Dust Extraction (Fig. 2, 3)



Fit the dustbag (ff) onto the dust spout (n).



WARNING: Whenever possible, connect a dust extraction device designed in accordance with the relevant regulations regarding dust emission.

Connect a dust collection device designed in accordance with the relevant regulations. The air velocity of externally connected systems shall be 20 m/s \pm 2 m/s. Velocity to be measured in the connection tube at the point of connection, with the tool connected but not running.

Transporting (Fig. 2, 6)

In order to conveniently carry the mitre saw, a carrying handle (m) has been included on the top of the saw arm.

- ◆ To transport the saw, lower the head and depress the lock down pin (o).
- ◆ Always use the carrying handle (m) or the hand indentations (r) to transport the saw.

MAINTENANCE

Your STANLEY power tool has been designed to operate over a long period of time with a minimum of maintenance. Continuous satisfactory operation depends upon proper tool care and regular cleaning.

- ◆ Regularly clean the ventilation slots in your tool using a soft brush or dry cloth.
- ◆ Regularly clean the motor housing using a damp cloth. Do not use any abrasive or solvent-based cleaner. This machine is not user-serviceable. If problems occur contact an authorised repair agent.



Lubrication

Closed-type, grease-sealed ball bearings are used throughout. These bearings have sufficient lubrication packed in them at the factory to last the life of the mitre saw.



Cleaning

Before use, carefully check the upper blade guard, movable lower blade guard as well as the dust extraction tube to determine that it will operate properly. Ensure that chips, dust or workpiece particle cannot lead to blockage of one of the functions.

In case of workpiece fragments jammed between saw blade and guards disconnect the machine from the power supply and follow the instructions given in section **Mounting the Saw Blade**. Remove the jammed parts and reassembling the saw blade.



WARNING: Blow dirt and dust out of the main housing with dry air as often as dirt is seen collecting in and around the air vents. Wear approved eye protection and approved dust mask when performing this procedure.



WARNING: Never use solvents or other harsh chemicals for cleaning the non-metallic parts of the tool. These chemicals may weaken the materials used in these parts. Use a cloth dampened only with water and mild soap. Never let any liquid get inside the tool; never immerse any part of the tool into a liquid.



WARNING: To reduce the risk of injury, regularly clean the table top.



WARNING: To reduce the risk of injury, regularly clean the dust collection system.

To maintain products SAFETY and RELIABILITY, repair, carbon brush inspection and replacement, any other maintenance or adjustment should be performed by STANLEY Service Centers, always using Stanley replacement parts.

OPTIONAL ACCESSORIES



WARNING: Since accessories, other than those offered by STANLEY, have not been tested with this product, use of such accessories with this tool could be hazardous. To reduce the risk of injury, only STANLEY, recommended accessories should be used with this product.

Consult your dealer for further information on the appropriate accessories.

PROTECTING THE ENVIRONMENT



Separate collection. This product must not be disposed of with normal household waste.

Should you find one day that your STANLEY product needs replacement, or if it is of no further use to you, do not dispose of it with household waste. Please sort it out for separate recycling.



Separate collection of used products and packaging allows materials to be recycled and used again. Re-use of recycled materials helps prevent environmental pollution and reduces the demand for raw materials.

NOTES

STANLEY's policy is one of continuous improvement to our products and as such, we reserve the right to change product specifications without prior notice.

Standard equipment and accessories may vary by country. Product specifications may differ by country.

Complete product range may not be available in all countries. Contact your local STANLEY dealers for range availability.

SERVICE INFORMATION

STANLEY offers a full network of company-owned and/or authorized service agents throughout your country. All STANLEY Service Centers are staffed with trained personnel to provide customers with efficient and reliable power tool service. Whether you need technical advice, repair, or genuine factory replacement parts, contact the STANLEY location nearest to you.

TECHNICAL DATA

MITRE SAW		SM18
Voltage	V _{AC}	220-240
Frequency	Hz	50-60
Power input	W	1800
Blade diameter	mm	254
Blade kerf thickness	mm	2.8
Bore diameter	mm	30
Max. blade speed	min ⁻¹	4800
Mitre (max. positions)	left	47°
	right	52°
Bevel (max. positions)	left	45°
	right	45°
0°mitre,0°bevel		92mm x 285mm / 80mm x 310mm
45°mitre,0°bevel		92mm x 190mm / 80mm x 210mm
0°mitre,45°bevel left		47mm x 285mm / 45mm x 310mm
45°mitre,45°bevel left		47mm x 190mm / 45mm x 210mm
0°mitre,45°bevel right		35mm x 285mm / 25mm x 310mm
45°mitre,45°bevel right		35mm x 190mm / 25mm x 210mm
Automatic blade brake time	s	<10.0
Weight	kg	18.6
Level of sound pressure according to EN 62841:		
Sound pressure (L _{PA})	dB(A)	94,5
Sound pressure uncertainty (K _{PA})	dB(A)	3
Sound power (L _{WA})	dB(A)	105,0
Sound power uncertainty (K _{WA})	dB(A)	3

NOISE

The declared noise emission values stated in the technical data and the declaration of conformity have been measured in accordance with a standard test method provided by EN 62841 and may be used for comparing one tool with another. The declared noise emission value may also be used in a preliminary assessment of exposure.



WARNING! The noise emission value during actual use of the power tool can differ from the declared value depending on the ways in which the tool is used. The noise level may increase above the level stated.

When assessing noise exposure to determine safety measures required by 2002/44/EC to protect persons regularly using power tools in employment, an estimation of noise exposure should consider, the actual conditions of use and the way the tool is used, including taking account of all parts of the operating cycle such as the times when the tool is switched off and when it is running idle in addition to the trigger time.

EC declaration of conformity
MACHINERY DIRECTIVE



SM18 - Mitre Saw

STANLEY declares that these products described under "technical data" are in compliance with: 2006/42/EC, EN 62841-1: 2015, EN 62841-3-9: 2015+A11:2017.

These products also comply with Directive 2014/30/EU and 2011/65/EU. For more information, please contact STANLEY at the following address or refer to the back of the manual.

The undersigned is responsible for compilation of the technical file and makes this declaration on behalf of STANLEY.

Becky Cotsworth

Director – Outdoor Products Group
STANLEY FATMAX Europe,
Egide Walschaertsstraat14-18, 2800 Mechelen,
Belgium
04.2019

TWO YEAR WARRANTY

If your STANLEY product becomes defective due to faulty materials or workmanship within 24 months from the date of purchase, STANLEY guarantees to replace all defective parts

free of charge or – at our discretion – replace the unit free of

charge provided that:

- The product has not been misused and has been used in accordance with the instruction manual;
- The product has been subject to fair wear and tear;
- Repairs have not been attempted by unauthorized persons;
- Proof of purchase is produced;
- The STANLEY product is returned complete with all original components;
- The product hasn't been used for hire purposes.

If you wish to make a claim, contact your seller or check the location of your nearest authorised STANLEY repair agent in the STANLEY catalogue or contact your local STANLEY office at the address indicated in this manual. A list of authorised STANLEY repair agents and full details of our after sales service is available on the internet at: www.2helpU.com

UTILISATION PRÉVUE

Votre scie à onglet SM18 de STANLEY a été conçue pour couper le bois et ses produits dérivés, l'aluminium et ses produits dérivés et les plastiques. Elle permet d'effectuer des opérations de sciage transversal, de biseautage et d'onglet facilement, avec précision et en toute sécurité. Cet outil est destiné à une utilisation professionnelle.

CONSIGNES DE SÉCURITÉ

Les définitions ci-dessous définissent le niveau de gravité de chaque mention d'avertissement. Veuillez lire le manuel et prêter attention à ces symboles.



DANGER: Indique une situation imminente dangereuse qui, si elle n'est pas évitée, entraînera des blessures graves ou la mort.



AVERTISSEMENT : Indique une situation potentiellement dangereuse qui, si elle n'est pas évitée, entraînera des blessures graves ou la mort.



ATTENTION: Indique une situation potentiellement dangereuse qui, si elle n'est pas évitée, entraînera des blessures légères ou mineures.

AVIS : Indique une pratique ne concernant pas les blessures corporelles qui, si elle n'est pas évitée, peut entraîner des dommages matériels.



Indique un risque d'électrocution.



Indique un risque d'incendie.



Avertissement : Afin de réduire le risque de blessure, lisez le manuel d'instruction.

Avertissements de sécurité générale de l'outil électrique

AVERTISSEMENT ! Lisez tous les avertissements de sécurité, les instructions et les illustrations accompagnant cet outil électrique. Le non-respect des instructions énumérées ci-dessous peut entraîner une décharge électrique, un incendie ou des blessures graves.

Conservez ces avertissements et ces instructions à titre de référence ultérieure.

Le terme « outil électrique » dans les avertissements fait référence à votre outil électrique alimenté par le courant (avec cordon d'alimentation) ou fonctionnant sur batterie (sans cordon).

1. Sécurité de l'aire de travail

- Travaillez dans un endroit propre et bien éclairé.** Les zones encombrées et sombres peuvent entraîner des accidents.
- Ne mettez pas en marche votre outil électrique dans un environnement explosif, ou en présence de liquides inflammables, de gaz, ou de poussières.** La mise en marche de l'outil crée des étincelles qui peuvent enflammer les poussières ou vapeurs.

- Éloignez les enfants et les personnes présentes de la zone lorsque l'outil est en fonctionnement.** Toute distraction peut vous faire perdre le contrôle de l'outil.

2. Sécurité électrique

- Les fiches de l'outil électrique doivent correspondre à la prise secteur. Ne modifiez jamais la fiche, de quelque manière que ce soit.** N'utilisez pas d'adaptateurs avec des outils ayant une prise de terre (mis à la terre). Des fiches non modifiées et raccordées aux prises murales correspondantes réduiront les risques de décharge électrique.
- Évitez le contact direct avec les surfaces mises à la terre ou mises à la masse comme les canalisations, les radiateurs, les cuisinières et les réfrigérateurs.** Le risque de décharge électrique augmente si votre corps est mis à la terre ou à la masse.
- N'utilisez pas d'outils électriques dans des environnements pluvieux ou humides.** Si de l'eau s'introduit dans un outil électrique, le risque de décharge électrique augmentera.
- Ne malmenez pas le cordon d'alimentation.** N'utilisez jamais le cordon pour transporter, tirer ou débrancher l'outil électrique. Veillez à garder le cordon éloigné des sources de chaleur, des huiles, des rebords coupants ou des pièces mobiles. Les câbles endommagés ou entremêlés augmentent le risque de décharge électrique.
- Lorsqu'un outil électrique est utilisé à l'extérieur, utilisez uniquement une rallonge spécialement prévue à cet effet.** L'usage d'une rallonge adaptée à l'utilisation en extérieur réduit le risque de décharge électrique.
- Si vous devez utiliser un outil électrique dans un endroit humide, utilisez une alimentation protégée par un dispositif à courant différentiel résiduel (DDR).** L'utilisation d'un DDR réduit le risque de décharge électrique.

3. Sécurité personnelle

- Soyez vigilant, regardez bien ce que vous faites et faites preuve de bon sens lorsque vous utilisez l'outil électrique.** N'utilisez pas d'outil électrique si vous êtes sous l'influence de drogues, d'alcool ou de médicaments. Un instant d'inattention pendant l'utilisation d'outils électriques peut entraîner des blessures graves.
- Utilisez un équipement de protection individuel. Utilisez toujours une protection oculaire.** L'utilisation d'équipements de protection, tels que les masques anti-poussière, les chaussures de sécurité antidérapantes, les casques de sécurité ou les protections auditives dans des conditions appropriées, réduira les risques de blessures corporelles.
- Évitez les démarrages intempestifs.** Veillez à ce que l'interrupteur soit en position d'arrêt avant de brancher l'outil à une source d'alimentation

et/ou une batterie, de ramasser l'outil ou de le transporter. Transporter les outils électriques avec le doigt sur l'interrupteur ou brancher les outils électriques avec l'interrupteur en position de marche peut entraîner des accidents.

- d. Retirez toute clé de sécurité ou autre clé de réglage avant de mettre l'outil électrique en marche. Laisser une clé à molette ou une clé Allen sur une partie rotative de l'outil électrique peut engendrer des blessures.
- e. Ne vous penchez pas trop. Gardez en permanence une position stable et un bon équilibre. Cela permet un meilleur contrôle de l'outil électrique dans des situations imprévues.
- f. Portez des vêtements appropriés. Ne portez pas de vêtements amples ou de bijoux. Tenez vos cheveux et vêtements éloignés des pièces mobiles. Les vêtements amples, les bijoux ou les cheveux longs peuvent être happés par les pièces mobiles.
- g. Si des accessoires destinés au raccordement d'installations d'extraction et de recueil de la poussière sont fournis, assurez-vous qu'ils sont correctement raccordés et utilisés. L'utilisation d'un collecteur de poussière peut réduire les dangers associés à la présence de poussières.
- h. Ne pensez pas que la familiarité que vous avez acquise en utilisant fréquemment des outils vous permet d'être complaisant et d'ignorer les principes de sécurité concernant l'utilisation des outils. Une action imprudente peut causer de graves blessures en une fraction de seconde.

4. Utilisation et entretien de l'outil électrique

- a. Ne forcez pas sur l'outil électrique. Utilisez l'outil électrique adapté à votre travail. Un outil électrique approprié est plus efficace et moins dangereux lorsqu'il est utilisé à la vitesse pour laquelle il a été conçu.
- b. N'utilisez pas l'outil électrique si l'interrupteur ne le met pas en position de marche et d'arrêt. Tout outil électrique qui ne peut être contrôlé par l'interrupteur est dangereux et doit être réparé.
- c. Débranchez la fiche de la source d'alimentation et/ou retirez la batterie de l'outil avant de procéder à tout réglage, de remplacer des accessoires ou de ranger les outils électriques. Ces mesures de sécurité préventives réduisent le risque de démarrage accidentel de l'outil électrique.
- d. Conservez les outils électriques inutilisés hors de la portée des enfants et ne laissez pas de personnes non familiarisées avec l'outil ou ces instructions utiliser l'outil électrique. Les outils électriques sont dangereux pour les utilisateurs inexpérimentés.
- e. Faites la maintenance des outils électriques et des accessoires. Vérifiez l'absence de mauvais alignement ou d'arrêt des pièces mobiles, d'endommagement ou de toute autre condition susceptible d'affecter l'utilisation de l'outil. Si l'outil est

endommagé, faites-le réparer avant de l'utiliser. De nombreux accidents sont dus à des outils électriques mal entretenus.

- f. Maintenez les outils de coupe aiguisés et propres. Les outils de coupe bien entretenus aux bords aiguisés sont moins susceptibles de se coincer et plus faciles à contrôler.
 - g. Utilisez l'outil électrique, les accessoires et les lames de l'outil, etc., conformément à ces instructions en prenant en compte les conditions de travail et la tâche à réaliser. L'utilisation de l'outil électrique pour des opérations différentes de celles pour lesquelles il a été conçu peut entraîner une situation dangereuse.
 - h. Maintenez les poignées et les surfaces de préhension sèches, propres et exemptes d'huile et de graisse. Des poignées et des surfaces de préhension glissantes ne permettent pas de manipuler l'outil en toute sécurité et de le contrôler dans des situations inattendues.
- #### 5. Réparation
- a. Faites réparer votre outil électrique par un réparateur agréé utilisant uniquement les pièces de rechange identiques. Cela permettra de garantir la sécurité de l'outil électrique.

CONSIGNES DE SÉCURITÉ POUR LES SCIES À ONGLET

- ◆ Les scies à ongles sont conçues pour couper du bois ou des produits similaires au bois. Elles ne peuvent pas être utilisées avec des meules abrasives pour couper des matériaux ferreux tels que des barres, des tiges, des goujons, etc. La poussière abrasive provoque le coincement de pièces en mouvement telles que le protège-lame inférieur. Des étincelles provenant de la coupe abrasive vont brûler le protège-lame inférieur, le passe-lame et d'autres pièces en plastique.
- ◆ Utilisez des serre-joints pour immobiliser la pièce de bois chaque fois que possible. Si vous maintenez la pièce à la main, vous devez toujours garder votre main à au moins 100 mm de chaque côté de la lame. N'utilisez pas cette scie pour couper des pièces trop petites pour être immobilisées avec des serre-joints ou tenues à la main en toute sécurité. Si vous placez votre main trop près de la lame, le risque de blessure par contact avec la lame est accru.
- ◆ La pièce doit être immobilisée et serrée ou maintenue contre le guide et la table. N'insérez pas la pièce dans la lame et ne coupez d'aucune manière en la tenant « uniquement avec les mains » sans utiliser le guide. Des pièces mal serrées ou en mouvement pourraient être projetées à grande vitesse, provoquant des blessures.
- ◆ Poussez la scie à travers la pièce à découper. Ne forcez pas la lame de scie à traverser la pièce. Pour effectuer une coupe, soulevez la tête de la scie et tirez-la au-dessus de la pièce sans la couper, démarrez le moteur, appuyez sur la tête de la scie et poussez la scie à travers la pièce.

Couper la pièce alors que vous tirez sur la scie va faire monter la lame de scie au-dessus de la pièce et va projeter violemment l'ensemble à lame vers l'opérateur.

- ♦ **Ne mettez jamais votre main sur la ligne de coupe prévue, ni devant ni derrière la lame de scie.** Il est très dangereux de maintenir la pièce « en croix », c'est-à-dire de la maintenir du côté droit de la lame de scie avec votre main gauche ou inversement, ce qui est très dangereux.
- ♦ **N'approchez pas votre main à moins de 100 mm des deux côtés de la lame afin d'éliminer les débris de bois ou pour toute autre raison pendant que la lame tourne.** Vous ne pouvez pas être conscient de la faible distance entre la lame de scie en rotation et votre main et vous pourriez être sérieusement blessé.
- ♦ **Inspectez votre pièce avant de la couper.** Si la pièce est bombée ou gauchie, immobilisez-la avec des serre-joints avec la face bombée dirigée vers le guide. Assurez-vous toujours qu'il n'y a pas d'espace entre la pièce, le guide et la table le long de la ligne de coupe. Les pièces tordues ou déformées peuvent pivoter ou se déplacer et peuvent provoquer un grippage de la lame de scie lors de la coupe. Il ne devrait y avoir aucun clou ni corps étranger dans la pièce en bois.
- ♦ **N'utilisez pas la scie tant tous les outils, débris de bois, etc., sont retirés de la table, à l'exception de la pièce à couper.** Les petits débris ou morceaux de bois ou autres objets en contact avec la lame rotative peuvent être projetés à grande vitesse.
- ♦ **Ne coupez qu'une pièce à la fois.** Plusieurs pièces empilées ne peuvent pas être correctement serrées ou maintenues et peuvent gripper la lame ou se déplacer pendant la coupe.
- ♦ **Assurez-vous que la scie à onglet est montée ou placée sur une surface de travail plane et ferme avant toute utilisation.** Une surface de travail plane et ferme réduit le risque d'instabilité de la scie à onglet.
- ♦ **Planifiez votre travail.** Chaque fois que vous modifiez le réglage de l'angle de biseau ou d'onglet, assurez-vous que le guide réglable est correctement réglé pour supporter la pièce à couper et n'interférera pas avec la lame ou le système du protège-lame. Sans mettre l'outil en marche et sans pièce sur la table, déplacez la lame de la scie en simulant une coupe complète pour vous assurer qu'il n'y aura aucune interférence ou danger de couper le guide.
- ♦ **Fournissez un support adéquat tel que des rallonges de table, des chevalets de sciage, etc. lorsque la pièce est plus large ou plus longue que le dessus de la table.** Les pièces plus longues ou plus larges que la table de la scie à onglet peuvent basculer si elles ne sont pas correctement soutenues. Si la pièce coupée ou un morceau de la pièce bascule, la pièce ou le morceau de bois peut soulever le protège-lame inférieur ou être projeté par la lame en rotation.

- ♦ **N'utilisez pas une autre personne pour remplacer une rallonge de table ou servir de support supplémentaire.** Un support instable pour la pièce à couper peut entraîner un grippage de la lame ou un déplacement de la pièce durant la coupe, vous tirant vous et la personne vous aidant vers la lame en rotation.
- ♦ **Le morceau de pièce découpé ne doit en aucun cas être coincé ou pressé contre la lame de scie en rotation.** S'il est immobilisé, c'est-à-dire en utilisant des butées de longueur, le morceau découpé pourrait se coincer contre la lame et être projeté violemment.
- ♦ **Utilisez toujours un serre-joint ou un accessoire conçu pour maintenir correctement les pièces cylindriques telles que les tiges ou les tubes.** Les tiges ont tendance à rouler lors de la coupe, la lame a donc tendance à « mordre » la tige et à tirer la pièce et votre main vers elle.
- ♦ **Laissez la lame atteindre sa vitesse maximale avant de la mettre en contact avec la pièce.** Cela réduira le risque de projection de la pièce.
- ♦ **Si la pièce ou la lame est coincée, éteignez la scie à onglet.** Attendez que toutes les pièces mobiles s'arrêtent, débranchez la fiche de la prise de courant et/ou retirez la batterie. Puis libérez les pièces coincées. Continuer à scier alors que la pièce est coincée peut entraîner une perte de contrôle ou endommager la scie à onglet.
- ♦ **Une fois la coupe terminée, relâchez la gâchette, maintenez la tête de la scie vers le bas et attendez que la lame s'arrête avant de retirer le morceau découpé.** Approcher votre main près de la lame lorsqu'elle tourne en roue libre est dangereux.
- ♦ **Tenez fermement la poignée lors d'une coupe incomplète ou lorsque vous relâchez la gâchette avant que la tête de scie ne soit complètement abaissée.** Le freinage de la scie peut tirer brusquement la tête de scie vers le bas, entraînant un risque de blessure.

AVERTISSEMENTS DE SÉCURITÉ SUPPLÉMENTAIRES POUR LES SCIES À ONGLET

- ♦ La machine est fournie avec un cordon d'alimentation spécial qui ne peut être remplacé que par le fabricant ou son agent de service agréé.
- ♦ **N'utilisez pas la scie pour couper des matériaux autres que ceux recommandés par le fabricant.**
- ♦ **N'utilisez pas la machine si les protège-lame ne sont pas en place ou si les protège-lame ne fonctionnent pas ou ne sont pas entretenus correctement.**
- ♦ **Assurez-vous que le bras est correctement fixé lorsque vous effectuez des coupes en biseau.**
- ♦ **Maintenez la surface de plancher autour de la machine de niveau, bien entretenue et exempte de matériaux dispersés, tels que copeaux et des morceaux de bois découpés.**

- ◆ Utilisez des lames de scie correctement affûtées. Respectez le repère de vitesse maximale sur la lame de scie.
 - ◆ Assurez-vous que tous les boutons de verrouillage et les poignées des serre-joints sont bien serrés avant de commencer toute opération.
 - ◆ N'approchez jamais la main de la lame lorsque la scie est connectée à la source d'alimentation électrique.
 - ◆ N'essayez jamais d'arrêter rapidement une machine en mouvement en bloquant un outil ou quelque chose d'autre contre la lame, car des accidents graves peuvent en résulter.
 - ◆ Avant d'utiliser un accessoire, consultez le manuel d'instructions. L'utilisation inappropriée d'un accessoire peut causer des dommages.
 - ◆ Utilisez un support ou des gants lorsque vous manipulez une lame de scie.
 - ◆ Assurez-vous que la lame de scie est montée correctement avant toute utilisation.
 - ◆ Assurez-vous que la lame tourne dans le bon sens.
 - ◆ Faites attention lorsque vous découpez des rainures.
 - ◆ N'utilisez pas de lames de diamètre plus petit ou plus grand que celui qui est recommandé. Pour savoir le type de lame à utiliser, consultez les données techniques. Utilisez uniquement les lames spécifiées dans ce manuel, en conformité avec la norme EN 847-1.
 - ◆ Pensez à utiliser des lames spécialement conçues pour réduire le niveau sonore.
 - ◆ N'utilisez pas des lames HSS.
 - ◆ N'utilisez pas des lames fissurées ou endommagées.
 - ◆ N'utilisez pas des meules abrasives ou à diamants.
 - ◆ N'utilisez jamais votre scie sans le passe-lame.
 - ◆ Sortez la lame du trait de scie dans la pièce à couper avant de relâcher la gâchette.
 - ◆ Ne calez rien contre le ventilateur pour soutenir l'arbre du moteur.
 - ◆ Le protège-lame de votre scie se soulève automatiquement lorsque le bras est abaissé ; il s'abaissera sur la lame lorsque le levier de déverrouillage de la tête (dd) est poussé.
 - ◆ Ne soulevez jamais le protège-lame à moins que la scie ne soit éteinte. Le protège-lame peut être levé à la main lors de l'installation ou du retrait des lames de scie ou de l'inspection de la scie.
 - ◆ Vérifiez régulièrement que les fentes d'air du moteur sont propres et exemptes de copeaux.
 - ◆ Remplacez le passe-lame lorsqu'il est usé. Reportez-vous à la liste des pièces de rechange incluse.
 - ◆ Débranchez la machine du secteur avant tout travail d'entretien ou tout changement de lame.
 - ◆ N'effectuez jamais de travaux de nettoyage ou d'entretien lorsque la machine est encore en marche et que la tête n'est pas en position de repos.
 - ◆ Lorsque cela est possible, montez toujours la machine sur un banc de travail.
 - ◆ La partie avant du protège-lame est dotée de persiennes pour la visibilité lors de la coupe. Bien que les persiennes réduisent considérablement les débris volants, ce sont des ouvertures dans le protège-lame et des lunettes de sécurité doivent être portées en permanence lors de l'observation à travers les persiennes.
 - ◆ Connectez la scie à un dispositif de collecte de poussières lors du sciage du bois. Tenez toujours compte des facteurs qui influencent l'exposition à la poussière, tels que :
 - le type de matériau coupé (les panneaux de particules produisent plus de poussière que le bois) ;
 - l'affûtage de la lame ;
 - le réglage correct de la lame de scie ;
 - un extracteur de poussière avec une vitesse d'air d'au moins 20 m/s.
- Assurez-vous que les systèmes d'extraction de la pièce ainsi que les hottes, les déflecteurs et les goulottes sont correctement réglés.
- ◆ Veuillez prendre en compte les facteurs suivants qui influencent l'exposition au bruit :
 - utilisez des lames de scie conçues pour réduire le bruit émis ;
 - utilisez uniquement des lames de scie bien affûtées.
 - ◆ L'entretien de la machine doit être effectué périodiquement.
 - ◆ Tout défaut de la machine, y compris des protège-lame ou de la lame, doit être signalé dès qu'il est découvert.
 - ◆ Veillez à disposer d'un éclairage général ou localisé adéquat.
 - ◆ Assurez-vous que l'opérateur est correctement formé à l'utilisation, au réglage et à l'utilisation de la machine.
 - ◆ Assurez-vous que les entretoises et bagues de broche conviennent à l'usage indiqué dans ce manuel.
 - ◆ Abstenez-vous de retirer les découpes ou les morceaux de la pièce de la zone de coupe tant que la machine est en marche et que la tête de scie n'est pas en position de repos.
 - ◆ Ne coupez jamais de pièces de moins de 30 mm (figure 34).
 - ◆ Sans support supplémentaire, la machine est conçue pour une pièce n'excédant pas les dimensions suivantes :
 - 75 mm d'épaisseur, 140 mm de large et 460 mm de long.
 - Les pièces plus longues doivent être soutenues par une table supplémentaire appropriée (support de pièce). Serrez toujours la pièce de travail en toute sécurité à l'aide de serre-joints.
 - ◆ En cas d'accident ou de panne de la machine, mettez-la immédiatement hors tension et débranchez-la de la source d'alimentation.

- ◆ Signalez la panne et marquez la machine de façon appropriée pour empêcher toute autre personne d'utiliser la machine défectueuse.
- ◆ Lorsque la lame de scie se grippe après avoir forcé la lame trop énergiquement dans la pièce, éteignez la machine et débranchez-la de l'alimentation électrique. Retirez la pièce et assurez-vous que la lame de scie tourne librement. Allumez la machine et démarrez une nouvelle opération de coupe en réduisant la force de pénétration exercée sur la lame.
- ◆ Ne coupez jamais d'alliage léger, en particulier du magnésium.
- ◆ Lorsque la situation le permet, attachez la machine sur un banc de travail à l'aide de boulons.

RISQUES RÉSIDUELS

Les risques suivants sont inhérents à l'usage de scies :

- blessures provoquées par le contact avec des pièces rotatives.

Malgré l'application des instructions de sécurité en vigueur et la munition des dispositifs de sécurité, certains risques résiduels ne peuvent être évités. Ces risques sont les suivants :

- Des troubles de l'audition.
- Risque d'accidents causés par les parties non couvertes de la lame de scie en rotation.
- Risque de blessure lors du changement de la lame.
- Risque de pincement des doigts lors de l'ouverture du protège-lame.
- Risques pour la santé causés par l'inhalation des poussières qui se développent lors du sciage du bois, en particulier du chêne, du hêtre, ou du MDF.

Les facteurs suivants augmentent le risque de problèmes respiratoires :

- Aucun extracteur de poussière n'est branché lors du sciage du bois.
- L'extraction de poussière est insuffisante en raison de filtres d'échappement non nettoyés.

SÉCURITÉ ÉLECTRIQUE

Une seule tension est applicable à cet outil. Assurez-vous que l'alimentation correspond à la tension indiquée sur la plaque signalétique.



Votre outil Stanley est équipé d'une double isolation, de ce fait, il n'a pas besoin d'être mis à la terre.

Lorsque le cordon d'alimentation est endommagé, envoyez-le au centre de services après-vente de STANLEY pour le faire remplacer par un cordon spécialement préparé.

UTILISATION D'UNE RALLONGE

Si une rallonge est nécessaire, utilisez une rallonge agréée à 3 fils, adaptée à la puissance absorbée par cet outil (voir les Caractéristiques techniques). La section minimale des conducteurs est de 1,5 mm² ; la longueur maximale est de 30 m. Lorsque vous utilisez un rouleau à câble, déroulez-le toujours complètement.










Section transversale du câble (mm ²)	Intensité nominale du câble (Ampère)
0.75	6
1.00	10
1.50	15
2.50	20
4.00	25

Longueur du câble (m)						
	7.5	15	25	30	45	60

Tension	Ampères	Intensité nominale du câble (Ampère)					
110-127	0 - 2.0	6	6	6	6	6	10
	2.1 - 3.4	6	6	6	6	15	15
	3.5 - 5.0	6	6	10	15	20	20
	5.1 - 7.0	10	10	15	20	20	25
	7.1 - 12.0	15	15	20	25	25	-
	12.1 - 20.0	20	20	25	-	-	-
	230	0 - 2.0	6	6	6	6	6
	2.1 - 3.4	6	6	6	6	6	6
	3.5 - 5.0	6	6	6	6	10	15
	5.1 - 7.0	10	10	10	10	15	15
	7.1 - 12.0	15	15	15	15	20	20
	12.1 - 20.0	20	20	20	20	25	-

ÉTIQUETTES DE L'OUTIL

L'étiquette apposée sur votre outil peut afficher les symboles suivants :

	AVERTISSEMENT ! Pour réduire tout risque de blessure, l'utilisateur doit lire le manuel d'instructions avant toute utilisation.		
	Portez des lunettes de sécurité ou des lunettes-masque.		
	Portez des protège-oreilles.		
	Portez un masque anti-poussière.		
V	Volts		Courant continu
A	Ampères	n_0	Vitesse à vide
Hz	Hertz		Construction de classe II
W	Watts		Borne de terre
min	minutes		Symbole d'alerte de sécurité
	Courant alternatif	/min.	Tours ou mouvements alternatifs par minute

Position du code de la date

Le code de date qui comporte également l'année de fabrication est imprimé sur le logement.

Exemple :

2017 XX JN
Année de fabrication

L'ENSEMBLE CONTIENT

- 1 scie à onglet
- 1 clé fine rangée dans la poche de la clé
- 1 lame de scie
- 1 sac à poussière
- 1 serre-joint vertical
- 1 support arrière
- 1 manuel d'instruction
- ♦ Vérifiez que l'outil, les pièces détachées et les accessoires n'ont pas été endommagés durant le transport.
- ♦ Prenez le temps de bien lire et comprendre ce manuel avant d'utiliser l'outil.

Description (fig. 1, 2, 3, 5, 6, 12, 23, 27, 28)



AVERTISSEMENT: Ne modifiez jamais l'outil électrique ou toute partie de celui-ci. Des dommages ou des blessures pourraient en résulter.

- a. Poignée de manœuvre
- b. Protège-lame inférieur
- c. Guide latéral droit
- d. Table
- e. Molette verrouillage de l'onglet
- f. Échelle d'onglet
- g. Socle
- h. Molette de rallonge
- i. Clé de serrage
- j. Trou de montage sur plan de travail
- k. Bouton de serrage de guide
- l. Gâchette
- m. Poignée de transport
- n. Bec d'extraction de poussière
- o. Goupille de verrouillage en position basse
- p. Molette de serrage de biseau
- q. Échelle de biseau
- r. Espace pour la main
- s. Passe-lame
- t. Positionneur d'onglet
- u. Code de date
- v. Guide latéral gauche
- w. Couvercle d'extrémité
- x. Verrouillage de broche
- y. Trou pour cadenas
- z. Butée angulaire
- aa. Butée de réglage de l'angle du biseau
- bb. Gâchette à DEL
- cc. Butée de réglage de la position verticale
- dd. Levier de verrouillage
- ee. Butées de longueur
- ff. Sac à poussière
- gg. Serre-joint vertical
- hh. Boulon d'expédition temporaire pour le verrouillage de l'onglet
- ii. Rallonge de support de pièce
- jj. Vis d'arrêt du guide
- kk. Support arrière
- aaa. Poignée arrière
- bbb. Support de bras à onglet
- ccc. Bouton de serrage du support de travail
- ddd. Molette de verrouillage sur rails
- fff. Bouton de verrouillage de biseau
- ggg. Dispositif de butée coulissante

MONTAGE ET RÉGLAGE

AVERTISSEMENT: Pour réduire les risques de blessures, mettez l'outil hors tension et débranchez-le de toute source d'alimentation avant le montage ou le démontage des accessoires et avant de régler ou de changer des réglages ou de faire des réparations. Assurez-vous de mettre la gâchette dans la position d'arrêt. Un démarrage accidentel peut provoquer des blessures.

Déballage (Fig. 2, 4, 5, 6)

- ♦ Retirez soigneusement la scie de l'emballage en utilisant la poignée de transport (m).
- ♦ Utilisez la clé fine fournie (j) pour monter le support arrière (mm) à l'arrière du socle (g).
- ♦ Utilisez la clé fine fournie (i) pour retirer le boulon d'expédition temporaire utilisé pour verrouiller l'onglet (hh).
- ♦ Montez la molette de verrouillage de l'onglet (e) sur le bras de la scie à onglet.
- ♦ Appuyez sur la poignée de manœuvre (a) et retirez la goupille de verrouillage en position basse (o), comme indiqué.
- ♦ Relâchez doucement la pression vers le bas et laissez le bras monter jusqu'à sa position maximale.

Montage sur banc de travail (fig. 7)

- ♦ Des trous (j) sont prévus dans les quatre pieds pour faciliter le montage sur un banc de travail. Montez toujours votre scie fermement pour éviter tout mouvement. Pour améliorer la portabilité, l'outil peut être monté sur un morceau de contreplaqué de 15 mm ou moins qui peut ensuite être attaché avec des serre-joints sur votre plan de travail ou déplacé vers d'autres sites de travail où il est aussi attaché avec des serre-joints.
- ♦ Lorsque vous montez votre scie sur un morceau de contreplaqué, assurez-vous que les vis de montage ne dépassent pas du dessous du bois. Le contreplaqué doit reposer à plat directement sur le plan de travail. Lors du serrage de la scie sur un plan de travail à l'aide de serre-joints, serrez uniquement sur les bossages de serrage où se trouvent les trous pour les vis de fixation. Serrer l'outil à tout autre point génère son bon fonctionnement.
- ♦ Pour éviter le grippage et les imprécisions, assurez-vous que la surface de montage n'est ni déformée ni inégale. Si la scie ne repose pas à plat sur la surface, placez un mince morceau de matériau sous un pied de scie jusqu'à ce que la scie soit bien stable sur la surface de montage.

Montage de la lame de scie (fig. 8, 9, 10)

AVERTISSEMENT: Pour réduire les risques de blessures, mettez l'outil hors tension et débranchez-le de toute source d'alimentation avant le montage ou le démontage des accessoires et avant de régler ou de changer des réglages ou de faire des réparations. Assurez-vous de mettre la gâchette dans la

position d'arrêt. Un démarrage accidentel peut provoquer des blessures.

- ♦ N'appuyez jamais sur le bouton de verrouillage de la broche lorsque l'outil est utilisé ou tourne en roue libre.
- ♦ Ne coupez pas des produits en alliage léger et en métaux ferreux (contenant du fer ou de l'acier), de maçonnerie ou de fibrociment avec cette scie à onglet.
- ♦ Utilisez la lame correspondante aux matériaux coupés.
 1. Placez le protège-lame inférieur dans la position relevée, desserrez la vis du support du protège-lame (kk) jusqu'à ce que le support du protège-lame (ll) se soulève suffisamment pour permettre l'accès à la vis de verrouillage de la lame (nn).
 2. Appuyez sur le bouton de verrouillage de la broche (x) d'une main et utilisez la clé (i) fournie pour desserrer la vis de serrage filetée à gauche (nn) de la lame en la tournant dans le sens des aiguilles d'une montre.



AVERTISSEMENT : Pour utiliser le bouton de verrouillage de la broche, appuyez sur le bouton comme indiqué et faites pivoter la broche à la main jusqu'à ce que vous sentiez le verrou s'enclencher.

Continuez de tenir le bouton de verrouillage pour empêcher la broche de tourner.

3. Retirez la vis de serrage de lame (nn) et le flasque de serrage (pp).
4. Installez la lame de scie (oo) sur l'adaptateur de lame directement contre le flasque de serrage inférieur (rr), en veillant à ce que les dents du bord inférieur de la lame soient dirigées vers l'arrière de la scie (s'éloignant de l'opérateur).
5. Remplacez le flasque de serrage extérieur (pp).
6. Serrez délicatement la vis de blocage de la lame (nn) en tournant dans le sens contraire des aiguilles d'une montre tout en maintenant le verrou de broche engagé de l'autre main.
7. Remettez le support du protège-lame (ll) dans sa position initiale et serrez fermement la vis du support du protège-lame (kk) pour maintenir le support en place.



AVERTISSEMENT ! Il est important que la lame de scie soit uniquement remplacée de la manière décrite. Utilisez uniquement les lames de scie spécifiées dans la section Données techniques.



AVERTISSEMENT ! Le support du protège-lame (ll) doit être remis dans sa position initiale et la vis du support du protège-lame (kk) serrée avant de réutiliser la scie.



AVERTISSEMENT ! Dans le cas contraire, le protège-lame peut toucher la lame de scie en rotation, ce qui pourrait l'endommager et causer des blessures graves.

Votre scie à onglet a été ajustée avec précision à l'usine. Si un réajustement est nécessaire en raison de l'expédition et de la manutention ou pour toute autre raison, suivez les étapes ci-dessous pour ajuster votre scie. Une fois effectués, ces ajustements doivent rester précis.

Vérification et réglage de l'échelle d'onglet (Fig. 11, 12, 13)

1. Desserrez la molette de verrouillage d'onglet (e), appuyez sur le positionneur d'onglet (f) pour libérer le bras d'onglet. Faites pivoter le bras à onglet jusqu'à ce que le loquet s'enclenche à la position d'onglet de 0°. Ne serrez pas la molette de verrouillage d'onglet (e).
2. Abaissez la tête jusqu'à ce que la lame entre dans le passe-lame (s).
3. Placez une équerre (tt) contre le guide latéral gauche (oo) (Fig. 11).



AVERTISSEMENT : Ne touchez pas les pointes des dents de la lame avec l'équerre.

Si un réglage est nécessaire, procédez comme suit :

4. Serrez la molette de verrouillage d'onglet (e). Desserrez le bouton de serrage du guide (k), retirez le guide latéral gauche (v) et le guide latéral droit (c).
5. Desserrez les 4 boulons hexagonaux derrière le guide, ajustez le guide de base selon le besoin contre l'équerre (tt).
6. Serrez les boulons hexagonaux et installez le guide latéral.

Vérification et réglage de la lame par rapport à la table (fig. 14, 15, 16)

1. Desserrez la molette de serrage de biseau (p).
2. Appuyez sur le bras d'onglet vers la droite pour vous assurer qu'il est complètement vertical avec la butée de position d'angle située contre la butée de réglage de position verticale (cc) et serrez la molette de serrage de biseau.
3. Abaissez la tête jusqu'à ce que la lame entre dans le passe-lame (s).
4. Placez une équerre (tt) sur la table et contre la lame (oo) (fig. 15).



AVERTISSEMENT : Ne touchez pas les pointes des dents de la lame avec l'équerre.

Si un réglage est nécessaire, procédez comme suit :

5. Desserrez le contre-écrou (ww) de quelques tours et tournez la vis de butée de réglage de la position de biseau (cc) jusqu'à ce que le pointeur (xx) indique 45° - 0° lorsque la butée de position angulaire (z) est contre la butée de réglage de l'angle de biseau.
6. Serrez fermement le contre-écrou (ww) tout en maintenant la vis d'arrêt (cc) à l'arrêt.
7. Si le pointeur de biseau (xx) n'indique pas zéro sur l'échelle de biseau (q), desserrez la vis (yy) qui

permet d'immobiliser le pointeur et déplacez-le si nécessaire.

Réglage des guides (fig. 17)

La partie supérieure des guides peut être réglée pour fournir un dégagement permettant à la scie de biseauter à 45° à gauche et à 0° à droite.

Pour régler le guide de gauche (v) Et guide latéral droit (c):

1. Desserrez le bouton en plastique (k) et faites glisser le guide vers la gauche.
2. Faites un essai à vide avec la scie éteinte et vérifiez le dégagement. Réglez le guide pour qu'il soit aussi proche que possible de la lame afin de fournir un soutien maximal à la pièce, sans gêner les mouvements descendant et ascendant du bras.
3. Serrez bien le bouton.



AVERTISSEMENT : Les rainures des guides (zz) peuvent être obstruées par de la sciure de bois. Utilisez un bâton ou de l'air à basse pression pour dégager les rainures des guides.

Vérification et réglage de l'angle de biseau (fig. 17, 18 et 19)

1. Desserrez le bouton de serrage du guide gauche (k) et faites glisser la partie supérieure du guide gauche vers la gauche aussi loin que possible.
2. Desserrez le bouton de serrage de biseau (p) et déplacez le bras de scie vers la position de biseau à gauche de 45°.

Si un réglage est nécessaire, procédez comme suit :

3. Desserrez le contre-écrou (ww) de quelques tours et tournez la vis de butée de réglage de la position de biseau (aa) jusqu'à ce que le pointeur (xx) indique 45° lorsque la butée de position angulaire (z) est contre la butée de réglage de l'angle de biseau.
4. Serrez fermement le contre-écrou (ww) tout en maintenant la vis d'arrêt (aa) à l'arrêt.
5. Pour obtenir un biseau droit de 0° ou gauche de 45°, les deux vis de butée de réglage doivent être ajustées pour permettre au bras de la scie de se déplacer si nécessaire.

Réglage de la butée de profondeur (rainures du trait de scie) (fig. 20)

Cette opération est nécessaire si vous souhaitez scier une rainure.

- Déplacez la plaque de butée de profondeur (hhh) jusqu'à la position indiquée à la figure 20
- Inclinez la tête d'outil à l'aide de la poignée jusqu'à atteindre la profondeur de rainure souhaitée.
- Tournez la vis de réglage (ss) dans le sens des aiguilles d'une montre jusqu'à ce que l'extrémité de la vis touche la butée du boîtier.
- Guidez le bras d'outil lentement vers le haut.

Remettez la butée de profondeur Plaque (hhh) dans sa position initiale une fois les rainures effectuées avec la scie.

Assurez-vous que la lame de scie ne touche aucune partie du socle ou du passe-lame.

Fonctionnement du protège-lame et visibilité

Le protège-lame de votre scie a été conçu pour se relever automatiquement lorsque le bras est abaissé et pour s'abaisser sur la lame lorsque le bras est levé.

Le protège-lame peut être levé à la main lors de l'installation ou du retrait des lames de scie ou de l'inspection de la scie. **NE SOULEVEZ JAMAIS LE PROTÈGE-LAME MANUELLEMENT SI LA SCIE N'EST PAS ÉTEINTE.**

REMARQUE : Certaines coupes spéciales nécessiteront que vous releviez manuellement le protège-lame. La partie avant du protège-lame est dotée de persiennes pour la visibilité lors de la coupe. Bien que les persiennes réduisent considérablement les débris volants, ce sont des ouvertures dans le protège-lame et des lunettes de sécurité doivent être portées en permanence lors de l'observation à travers les persiennes.

Frein électrique automatique

Votre scie est équipée d'un frein électrique automatique qui arrête la lame dans les 10 secondes suivant le relâchement de la gâchette. Ce délai n'est pas réglable.

Parfois, le freinage ne peut s'enclencher qu'après un délai après le relâchement de la gâchette. En de rares occasions, le frein peut ne pas s'enclencher du tout et la lame s'arrêtera en roue libre.

En cas de délai, ou de non-enclenchement du frein, allumez et éteignez la scie 4 ou 5 fois. Si le problème persiste, faites réparer l'outil par un centre de service autorisé STANLEY.

Assurez-vous toujours que la lame est arrêtée avant de la retirer du trait de scie. Le frein ne remplace pas les protège-lame ni ne garantit votre propre sécurité en accordant toute votre attention à la scie.

Réglage du passe-lame

Pour régler les passe-lame, desserrez les vis qui maintiennent les passe-lame en place. Ajustez les passe-lame le plus possible sans gêner le mouvement de la lame.

Balais (fig. 1)



AVERTISSEMENT : Pour réduire les risques de blessures graves, éteignez l'outil et débranchez-le de la source d'alimentation avant de tenter de le déplacer, de changer des accessoires ou de procéder à des réglages.

Inspectez régulièrement les balais de charbon en débranchant l'outil et en retirant le capuchon du support de balais (W) qui maintient l'ensemble du balai à ressort. Gardez les balais propres et glissant librement dans leurs guides. Remplacez toujours un balai usagé en plaçant le nouveau balai dans le support dans la même orientation qu'avait le balai usagé.

Utilisez uniquement des balais STANLEY identiques. L'utilisation d'un balai de la même qualité est essentielle au bon fonctionnement du frein électrique. De nouveaux balais sont essentiels au bon fonctionnement du frein

électrique. De nouveaux ensembles de balais sont disponibles dans les centres de service STANLEY. L'outil doit pouvoir fonctionner pendant 10 minutes (sans charge et à vide) avant toute utilisation pour permettre aux nouveaux balais de se mettre en place. Le frein électrique peut fonctionner de manière irrégulière jusqu'à ce que les balais reposent correctement (en étant légèrement usés). Remplacez toujours le capuchon d'inspection des balais après l'inspection ou le remplacement des balais.

Molette de verrouillage sur rails (fig. 2)

La molette de verrouillage sur rails (ddd) vous permet de verrouiller fermement la tête de la scie afin d'éviter tout glissement sur les rails. Cela est nécessaire lors de certaines coupes ou lors du transport de la scie.

Butée coulissante (fig. 21)

Le dispositif de butée coulissante (ggg) positionne les rails de votre scie de façon à pouvoir couper les moulures les plus grandes possibles. **SERREZ TOUJOURS LA MOLETTE DE VERROUILLAGE SUR RAILS LORS DE L'UTILISATION DE LA BUTÉE DE GLISSEMENT POUR EMPÊCHER LE SYSTÈME COULISSANT DE SE DÉPLACER PAR INADVERTANCE**

Goupille de verrouillage de la tête (fig. 6)

Pour verrouiller la tête de scie en position abaissée, poussez la tête vers le bas, poussez la goupille (o) et relâchez la tête de scie. Cela maintiendra la tête de scie en position abaissée en toute sécurité lorsque vous déplacez la scie d'un endroit à l'autre. Pour libérer la tête, abaissez la tête de la scie et tirez la goupille.

UTILISATION



AVERTISSEMENT : Suivez toujours les instructions de sécurité et le règlement applicable.



AVERTISSEMENT : Pour réduire le risque de blessures physiques graves, arrêtez l'outil et débranchez-le du secteur avant de réaliser des réglages ou de démonter/installer des accessoires.

Assurez-vous que la machine est placée de manière à satisfaire vos conditions ergonomiques en matière de hauteur et de stabilité de la table. L'emplacement de la machine doit être choisi de manière à donner à l'opérateur une bonne vue d'ensemble et suffisamment d'espace libre autour de la machine pour permettre de manipuler la pièce à couper sans la moindre restriction.

Pour réduire les effets des vibrations, assurez-vous que la température ambiante n'est pas trop froide, que la machine et les accessoires sont bien entretenus et que la taille des pièces à couper est appropriée à cette machine.

Avant l'utilisation

- ◆ Installez la lame de scie appropriée. N'utilisez pas de lames de scie excessivement usées. La vitesse de rotation maximale de l'outil ne doit pas dépasser celle de la lame de scie.
- ◆ N'essayez pas de couper des pièces excessivement petites.

- ◆ Laissez la lame découper librement. N'exercez pas de force.
- ◆ Laissez le moteur atteindre sa vitesse maximale avant de couper.
- ◆ Assurez-vous que tous les boutons et molettes de verrouillage et serre-joints sont bien serrés.
- ◆ Sécurisez la pièce à couper.
- ◆ Bien que cette scie coupe le bois et de nombreux matériaux non ferreux, ces instructions d'utilisation référent à la coupe du bois uniquement. Les mêmes instructions s'appliquent aux autres matériaux. Ne coupez pas des matériaux ferreux (fer et acier) ou de maçonnerie avec cette scie ! N'utilisez pas des meules abrasives !
- ◆ Assurez-vous d'utiliser le passe-lame. N'utilisez pas la machine si la fente du passe-lame dépasse 10 mm de largeur.
- ◆ Ne coupez jamais de pièces de moins de 30 mm (figure 22).

Allumer et éteindre l'outil (fig. 23)

Pour allumer la scie, poussez le levier de verrouillage (dd) vers la gauche, puis appuyez sur la gâchette (l). La scie fonctionnera tant que l'interrupteur restera enfoncé. Laissez la lame atteindre sa pleine vitesse avant de procéder à la coupe. Pour arrêter la scie, relâchez la gâchette. Laissez la lame s'arrêter avant de relever la tête de scie. Il n'est pas possible de verrouiller la gâchette. Un trou (y) est prévu dans la gâchette pour permettre l'insertion d'un cadenas afin de la verrouiller.

Utilisation du système de travail à LED (fig. 1 et 23)

Le système de travail à DEL est équipé d'un interrupteur marche/arrêt (bb). Le système de travail à DEL fonctionne indépendamment de la gâchette de la scie à onglet. Il n'est pas nécessaire que la lumière soit allumée pour utiliser la scie.

Pour couper en suivant une ligne de crayon tracée sur une pièce de bois :

1. Увімкніть систему, потім потягніть вниз рукоятку управління (а), щоб опустити диск пили ближче до дерева. На поверхні дерева з'явиться тінь від диска.
2. Alignez la ligne tracée au bord de l'ombre de la lame. Vous devrez peut-être ajuster les angles d'onglet ou de biseau afin pouvoir aligner l'ombre exactement avec la ligne au crayon.

Position du corps et des mains

Un positionnement correct de votre corps et de vos mains lors de l'utilisation de la scie à onglet rendra la coupe plus facile, plus précise et plus sûre.

- ◆ Ne placez jamais vos mains à proximité de la zone de coupe.
- ◆ Ne placez pas vos mains à moins de 150 mm de la lame.
- ◆ Tenez fermement la pièce à couper contre la table et le guide lors de la coupe. Gardez les mains en

position jusqu'à ce que vous relâchiez la gâchette et que la lame s'arrête complètement.

- ◆ Faites toujours des essais à vide avant de faire des coupes de finition afin de pouvoir vérifier le chemin de la lame.
- ◆ Ne croisez pas vos mains sur la machine.
- ◆ Gardez les deux pieds fermement sur le sol et maintenez un bon équilibre.
- ◆ Lorsque vous déplacez le bras de scie de gauche à droite, suivez-le et tenez-vous légèrement du côté de la lame de scie.
- ◆ Regardez à travers les persiennes du protège-lame lorsque vous suivez une ligne au crayon.

Couper avec votre scie

Lorsque vous coupez un objet de plus de 82 x 110 mm (82 x 74 mm avec l'onglet de 450), faites un mouvement aller-retour avec la molette de verrouillage sur rails (ddd) desserrée. Tirez la scie vers vous, abaissez la tête de scie vers la pièce et poussez lentement la scie vers l'arrière pour terminer la coupe. Ne laissez pas la scie entrer en contact avec le dessus de la pièce lors du retrait. La scie pourrait subitement sauter dans votre direction et éventuellement causer des blessures ou endommager la pièce.

Si la fonction coulissante n'est pas utilisée, assurez-vous de pousser la tête de scie le plus loin possible et de bien serrer la molette de verrouillage sur rails. Cela empêchera la scie de glisser sur les rails lorsque la pièce est en prise.

Remarque : Bien que cette scie coupe le bois et de nombreux matériaux non ferreux, nous limiterons cette présentation à la coupe du bois uniquement. Les mêmes instructions s'appliquent aux autres matériaux. **NE COUPEZ PAS DES MATÉRIAUX FERREUX (FER ET ACIER) OU DE MAÇONNERIE AVEC CETTE SCIE.** N'utilisez pas des lames abrasives.

Coupes de scie de base

Coupes transversales verticales directes (fig. 1, 2 et 24)

REMARQUE : Utilisez toujours des lames de scie de 254 mm avec un alésage de 25,4 mm pour obtenir les capacités de coupe souhaitées.

1. Desserrez la molette de verrouillage d'onglet (e) et appuyez sur le positionneur d'onglet (t) pour libérer le bras d'onglet.
2. Engagez le loquet d'onglet sur la position 0° et serrez la molette de verrouillage d'onglet (e).
3. Placez le morceau de bois à couper contre le guide (c, v).
4. Saisissez la poignée de manœuvre (a) et poussez le levier de verrouillage (dd) vers la gauche.
5. Appuyez sur la gâchette (l) pour démarrer le moteur.
6. Appuyez sur la tête pour permettre à la lame de couper le bois et de pénétrer dans le passe-lame (s) en plastique.

- Une fois la coupe terminée, relâchez la gâchette et attendez que la lame de la scie s'immobilise avant de relever la tête à sa position de repos supérieure.

Coupes transversales verticales à onglet (fig. 1, 2 et 25)

- Desserrez la molette de verrouillage d'onglet (e) et appuyez sur le positionneur d'onglet (t). Déplacez la tête à gauche ou à droite de l'angle souhaité.
- Le positionneur d'onglet permet de régler automatiquement les angles de 0°, 15°, 22,5°, 31,6° et 45°. Si un angle intermédiaire ou 52° est requis, tenez fermement la tête et verrouillez-la en serrant la molette de verrouillage d'onglet (e).
- Assurez-vous toujours que le levier de verrouillage d'onglet est bien verrouillé avant de couper.
- Procédez comme pour une coupe transversale verticale directe.



AVERTISSEMENT : Lorsque vous coupez l'extrémité d'une pièce de bois en ne produisant qu'une petite découpe, placez la pièce de bois de sorte que la découpe soit du côté de la lame avec le plus grand angle par rapport au guide : c.-à-d. onglet à gauche, découpe à droite et onglet à droite, découpe à gauche.

Coupes en biseau (fig. 1, 2 et 26)

Votre scie a deux réglages de biseau de 45°, un pour la droite et un pour la gauche. La procédure est la même pour chaque réglage.

- Desserrez le bouton de serrage du guide latéral gauche (k) et faites glisser la partie supérieure du guide gauche (v) vers la gauche aussi loin que possible. Desserrez la molette de serrage de biseau (p) et réglez le biseau à l'angle souhaité.
- Serrez fermement la molette de serrage de biseau (p).
- Procédez comme pour une coupe transversale verticale directe.

0° Neutralisation de la butée de biseau (fig. 27)

La commande de neutralisation de la butée de biseau vous permet d'incliner la scie vers la droite au-delà de la position 0°. Lorsqu'elle est engagée, la scie s'arrête automatiquement à 0°, lorsqu'elle est remontée de la gauche. Pour la déplacer temporairement au-delà de 0° vers la droite, tirez le bouton de verrouillage de biseau (fff). Lorsque le bouton est relâché, la butée est à nouveau neutralisée. Le bouton de verrouillage de biseau peut être verrouillé en le tournant de 90°. Lorsqu'il est à 0°, la neutralisation est verrouillée en place. Pour actionner la commande de neutralisation, inclinez la scie légèrement vers la gauche.

Qualité des coupes

La qualité de toute coupe dépend de plusieurs variables, comme le matériau coupé. Lorsque des coupes très lisses sont souhaitées pour des moulures et autres travaux de précision, une lame tranchante (carbure à 60 dents) et une vitesse de coupe uniforme plus lente pour le bois et une lame tranchante (carbure de 80 à 120 dents) et une vitesse

de coupe uniforme plus lente pour l'aluminium donneront les résultats souhaités.



AVERTISSEMENT : Assurez-vous que la pièce à couper ne glisse pas pendant la coupe ; serrez-la bien en place. Laissez toujours la lame s'arrêter complètement avant de lever le bras. Si de petites fibres de bois se séparent toujours au dos de la pièce, collez un morceau de ruban adhésif sur le bois à l'endroit de la coupe. Sciez à travers le ruban et retirez-le soigneusement lorsque vous avez terminé.

Scier des pièces de la même longueur (fig. 28)

La butée de longueur (ee) peut être utilisée pour scier facilement des pièces à la même longueur.

La butée de longueur est montée sur le support de travail de la scie (ii).

- Dépliez la butée de longueur (ee)
- Réglez le support de travail de la scie (ii) à la longueur requise

Extension de la table de sciage (Fig.28)

- Soutenez toujours les pièces longues.
- Pour de meilleurs résultats, utilisez les rallonges de support de pièce (ii) pour augmenter la largeur de la table de votre scie. Soutenez les pièces longues à l'aide de tout moyen approprié, tel que des chevalets de sciage ou des dispositifs similaires, pour empêcher les extrémités de tomber.
- Desserrez la molette (h), et sortez le support de travail (ii) si nécessaire. Serrez ensuite la molette (h).

Serrage de la pièce (fig. 3, 29 et 30)

- Dans la mesure du possible, fixez la pièce de bois ou d'aluminium à l'aide du serre-joint de la machine.
- Pour de meilleurs résultats, utilisez le serre-joint (gg) dont votre scie est équipée. Fixez la pièce contre le guide dans la mesure du possible. Vous pouvez la fixer d'un côté ou de l'autre de la lame de scie, mais n'oubliez pas de placer votre serre-joint contre une surface solide et plate du guide.
- Montage du serre-joint : Insérez le serre-joint vertical dans les trous (mm) comme indiqué à la figure 7, puis tournez-le dans la bonne position. Si un serre-joint horizontal est nécessaire, attachez-le aux trous (qq), comme indiqué à la figure 30.



AVERTISSEMENT : Utilisez toujours un serre-joint lors de la coupe de métaux non ferreux.



AVERTISSEMENT : Utilisez toujours à la fois un serre-joint vertical et un serre-joint horizontal pour couper de petites pièces.

Support pour les pièces longues (fig. 3 et 8)

- Soutenez toujours les pièces longues.
- Pour de meilleurs résultats, utilisez les rallonges de support de pièce (ii) pour augmenter la largeur de la table de votre scie. Soutenez les pièces longues à

l'aide de tout moyen approprié, tel que des chevalets de sciage ou des dispositifs similaires, pour empêcher les extrémités de tomber.

3. Montage des rallonges (fig. 8) :

Utilisez la clé lame fournie (i) pour desserrer les vis. Insérez les rallonges dans les trous (h). Serrez les vis.

Coupe de profilé d'aluminium extrudé



AVERTISSEMENT : N'essayez jamais de couper des profilés d'aluminium épais ou arrondis. Les profilés d'aluminium extrudés épais peuvent se détacher durant la découpe et les profilés d'aluminium rond ne peuvent pas être suffisamment bien attachés avec cet outil.

Lorsque vous attachez des profilés en aluminium, utilisez des cales d'espacement ou des chutes de bois comme indiqué à la figure 28 pour éviter toute déformation de l'aluminium. Utilisez un lubrifiant de coupe lors de la coupe de profilés d'aluminium pour éviter une accumulation de copeaux d'aluminium sur la lame.

Découpe de cadres de plat, de cadres à ombre et d'autres objets à quatre faces (fig. 29 et 30)

Mouleurs décoratives et autres cadres

Essayez quelques projets simples en utilisant des chutes de bois jusqu'à ce que vous vous sentiez à l'aise avec votre scie. Votre scie est l'outil idéal pour découper les coins de moulure comme celui illustré à la figure 32. Le coin illustré a été réalisé en faisant une coupe en biseau.

Utilisation du réglage de biseau

Le biseau des deux baguettes est réglé à 45°, afin d'obtenir un angle de 90°. Le bras d'onglet est verrouillé dans la position à 0°. La pièce de bois est positionnée avec le grand côté plat contre la table et le bord étroit contre le guide.

Utilisation du réglage d'onglet

La même coupe peut être faite en faisant un onglet à droite et à gauche avec la grande surface plate contre le guide.

Les deux illustrations (fig. 29 et 30) ne concernent que des objets à quatre côtés. Lorsque le nombre de côtés change, les angles d'onglet et de biseau changent également. Le tableau ci-dessous donne les angles appropriés pour diverses formes, en supposant que tous les côtés ont la même longueur. Pour une forme qui ne figure pas dans le tableau, divisez 180° par le nombre de côtés pour déterminer l'angle d'onglet ou de biseau.

Nbre de côtés	Angle d'onglet ou de biseau
4	45°
5	36°
6	30°
7	25.7°
8	22.5°
9	20°
10	18°

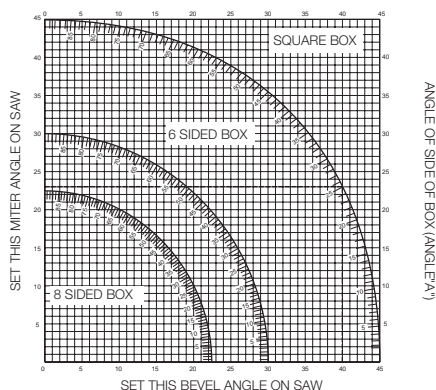
Onglet composé (fig. 32, 33, 34, 35)

Un onglet composé est une coupe réalisée à l'aide d'un angle d'onglet (fig. 30) et d'un angle de biseau (fig. 29) en même temps. C'est le type de coupe utilisé pour fabriquer des cadres ou des boîtes à côtés inclinés comme celui illustré à la figure 31.



AVERTISSEMENT : Si l'angle de coupe varie d'une coupe à l'autre, vérifiez que la molette verrouillage de l'onglet et la molette de serrage de biseau sont bien serrées. Ces molettes doivent être resserrées après toute modification des angles de biseau ou d'onglet.

- ◆ Le tableau ci-dessous vous aidera à choisir les réglages de biseau et d'onglet appropriés pour les coupes d'onglet composé courantes. Pour utiliser le graphique, sélectionnez l'angle souhaité « A » (fig. 35) de votre projet et localisez cet angle sur l'arc approprié du graphique. À partir de ce point, utilisez la projection verticale comme angle de biseau et la projection horizontale comme angle d'onglet.



- ◆ Réglez votre scie aux angles déterminés et effectuez quelques coupes d'essai.
- ◆ Entraînez-vous à assembler les pièces coupées.
- ◆ Exemple : Pour créer une boîte à 4 côtés avec un angle extérieur de 25° (angle « A ») (fig. 35), utilisez l'arc supérieur droit. Trouvez 25° sur l'échelle de l'arc. Suivez la ligne d'intersection horizontale d'un côté ou de l'autre pour obtenir le réglage de l'angle d'onglet sur la scie (23°). De même, suivez la ligne d'intersection verticale vers le haut ou vers le bas pour obtenir le réglage de l'angle de biseau sur la scie (40°). Essayez toujours de couper quelques chutes de bois pour vérifier les réglages de la scie.

Coupes de plinthes

Serrez toujours la molette de verrouillage sur rails (ddd) et la butée coulissante (ggg) lors de la coupe de plinthes.

La coupe de plinthes est réalisée avec un angle de biseau de 45°.

- ◆ Faites toujours un essai à vide avant de faire la moindre coupe.
- ◆ Toutes les coupes sont effectuées avec le dos de la plinthe à plat sur la scie.

Coin intérieur

Côté gauche

1. Positionnez la plinthe avec le haut de la plinthe contre le guide.
2. Gardez le côté gauche de la coupe.

Côté droit

1. Positionnez la plinthe avec le bas de la plinthe contre le guide.
2. Gardez le côté gauche de la coupe.

Coin extérieur

Côté gauche

1. Positionnez la plinthe avec le bas de la plinthe contre le guide.
2. Gardez le côté droit de la coupe.

Côté droit

1. Positionnez la plinthe avec le haut de la plinthe contre le guide.
2. Gardez le côté droit de la coupe.

Coupes de moulures couronnées

La coupe de moulures couronnées est une couple d'onglet composé.

Afin d'obtenir une précision extrême, votre scie a des positions d'angle prédéfinies à 31,6° et une marque sur l'échelle de biseau à 33,9°. Ces réglages concernent les moulures couronnées standards avec des angles de 52° en haut et de 38° en bas.

- ◆ Faites des coupes d'essai en utilisant des chutes de bois avant de faire les coupes finales.
- ◆ Toutes les coupes sont faites avec un biseau à gauche et le dos de la moulure contre la table.

Coin intérieur

Côté gauche

1. Haut de la moulure contre le guide.
2. Onglet à droite.
3. Gardez le côté gauche de la coupe.

Côté droit

1. Bas de la moulure contre le guide.
2. Onglet à gauche.
3. Gardez le côté gauche de la coupe.

Coin extérieur

Côté gauche

1. Bas de la moulure contre le guide.
2. Onglet à gauche.
3. Gardez le côté gauche de la coupe.

Côté droit

1. Haut de la moulure contre le guide.
2. Onglet à droite.
3. Gardez le côté droit de la coupe.

Coupes spéciales

- ◆ Toutes les coupes sont faites en fixant les pièces de bois sur la table et contre le guide. Assurez-vous de bien fixer les pièces à couper.

Matériel bombé (fig. 36 et 37)

Lorsque vous coupez une pièce bombée, placez-la toujours comme indiqué sur la figure 35 et jamais comme sur la figure 36. Si la pièce est mal positionnée, elle risque de gripper la lame vers la fin de la coupe.

Coupe d'un tuyau en plastique ou autre matériau rond

Un tuyau en plastique peut être facilement coupé avec votre scie. Il doit être coupé comme du bois ou de l'aluminium et serré avec le serre-joint ou maintenu fermement contre le guide pour l'empêcher de rouler. C'est extrêmement important lorsque vous réalisez des coupes avec un angle.

Coupe d'une grande pièce de bois (fig. 37)

Parfois, une pièce de bois sera trop grande pour tenir sous le protège-lame. Vous pouvez gagner un peu de hauteur supplémentaire en ouvrant le porte-lame, comme le montre la figure 37. Évitez de le faire autant que possible, mais si nécessaire, la scie fonctionnera correctement et cela permettra de réaliser une plus grande coupe. **N'ATTACHEZ JAMAIS LE PROTÈGE-LAME OUVERT AVEC UN CORDON, DU RUBAN ADHÉSIF OU DE TOUTE AUTRE FAÇON LORSQUE VOUS UTILISEZ CETTE SCIE.**

Extraction de la poussière (fig. 2 et 3)



Placez le sac à poussière (ff) sur le bec à poussière (n).



AVERTISSEMENT : Dans la mesure du possible, branchez un dispositif d'aspiration de poussières conçu conformément aux réglementations en vigueur concernant les émissions de poussières. Branchez un dispositif de collecte de poussière conçu conformément aux réglementations en vigueur. La vitesse de l'air de tout système externe branché doit être de 20 m/s ± 2 m/s. La vitesse doit être mesurée dans le tube de branchement au point de connexion, l'outil étant connecté, mais ne fonctionnant pas.

Transport (fig. 2 et 6)

Afin de transporter la scie à onglet facilement, une poignée de transport (m) a été incluse sur le dessus du bras de scie.

- ◆ Pour transporter la scie, abaissez la tête et appuyez sur la goupille de verrouillage en position basse (o).

- ◆ Utilisez toujours la poignée de transport (m) ou les espaces pour la main (r) pour transporter la scie.

ENTRETIEN

Votre outil de STANLEY a été conçu pour fonctionner pendant une longue période avec un minimum d'entretien. Un fonctionnement continu satisfaisant de l'outil dépend d'un entretien soigneux et régulier.

- ◆ Nettoyez régulièrement les fentes d'aération de votre outil à l'aide d'une brosse douce et d'un chiffon sec.
- ◆ Nettoyez régulièrement le boîtier du moteur à l'aide d'un chiffon humide. N'utilisez pas d'agent nettoyant abrasif ou à base de solvant. Cet outil n'est pas réparable par l'utilisateur. Si des problèmes surviennent, consultez un agent de réparation agréé.



Lubrification

L'outil n'utilise que des roulements à billes et à graisse hermétiques. Ces roulements ont une lubrification d'usine suffisante pour durer toute la durée de vie de la scie à onglet.



Nettoyage

Avant utilisation, vérifiez soigneusement le protège-lame supérieur, le protège-lame inférieur mobile ainsi que le tube d'extraction de poussière pour vous assurer qu'ils fonctionneront correctement. Assurez-vous que les copeaux, la poussière ou les particules de la pièce ne peuvent bloquer aucune fonction.

Si des fragments de pièce se coincent entre la lame de scie et le protège-lame, débranchez la machine de l'alimentation électrique et suivez les instructions données dans la section Montage de la lame de scie. Retirez les fragments coincés et remontez la lame.



AVERTISSEMENT : Soufflez les saletés et la poussière qui pénètrent dans le boîtier de l'outil avec de l'air sec dès que vous observez que de la saleté s'accumule à l'intérieur et autour des prises d'air. Portez des lunettes de protection et un masque anti-poussière approuvé lors de cette procédure.



AVERTISSEMENT : N'utilisez jamais de solvants ou autres produits chimiques corrosifs pour nettoyer les parties non métalliques de l'outil. Ces matériaux chimiques peuvent affaiblir les matériaux de ces parties. Utilisez uniquement un chiffon imbibé d'eau mélangée à un savon doux. Ne laissez jamais couler un liquide à l'intérieur et ne plongez jamais une partie quelconque de l'outil dans l'eau.



AVERTISSEMENT : Afin de réduire le risque de blessure, nettoyez régulièrement le dessus de la table de la machine.



AVERTISSEMENT : Pour réduire le risque de blessure, nettoyez régulièrement le dispositif de collecte de poussière.

Pour maintenir la SÉCURITÉ et la FIABILITÉ des produits, toute réparation, toute inspection et tout remplacement des balais de charbon, et tout autre entretien ou réglage doivent être effectués par un centre de réparations de STANLEY, en utilisant toujours des pièces de rechange d'origine de Stanley.

ACCESSOIRES EN OPTION



AVERTISSEMENT : Puisque les accessoires autres que ceux qui sont offerts par STANLEY n'ont pas été testés avec ce produit, l'utilisation de tels accessoires avec cet outil pourrait être dangereuse. Pour réduire le risque de blessures, seuls les accessoires recommandés par STANLEY devraient être utilisés avec ce produit.

Consultez votre revendeur pour obtenir de plus amples informations sur les accessoires appropriés.

PROTECTION DE L'ENVIRONNEMENT



Collecte séparée. Ce produit ne doit pas être jeté avec les ordures ménagères.

Si vous décidez de remplacer ce produit STANLEY, ou si vous n'en avez plus l'utilité, ne le jetez pas avec vos déchets domestiques. Veuillez trier les éléments pour un recyclage approprié.



Le ramassage sélectif des produits et emballages usagés permet de recycler les matériaux et de les utiliser de nouveau. La réutilisation des matériaux recyclés aide à prévenir la pollution de l'environnement et à réduire la demande de matières premières.

REMARQUES

STANLEY mène une politique d'amélioration continue de ses produits et se réserve, de ce fait, le droit d'en modifier les caractéristiques sans préavis.

Les accessoires ou équipements peuvent varier selon le pays. Les spécifications du produit peuvent varier selon le pays.

La gamme complète du produit peut ne pas être disponible dans tous les pays. Contactez votre revendeur STANLEY local concernant la disponibilité de la gamme.

INFORMATION CONCERNANT LES CENTRES DE SERVICE

STANLEY offre un réseau complet de centres de services agréés ou détenus par STANLEY dans votre pays. Tous les centres de services STANLEY disposent d'un personnel formé afin de fournir un service efficace et de confiance aux clients concernant les outils électriques. Que vous ayez besoin de conseils techniques, de réparation ou de pièces de rechange d'usine d'origine, contactez le centre de services STANLEY le plus proche de vous.

CARACTÉRISTIQUES TECHNIQUES

SCIE À ONGLET		SM18
Tension	V_{CA}	De 220 à 240 environ
Fréquence	Hz	50-60
Alimentation électrique	W	1800
Diamètre de lame	mm	254
Épaisseur du traie de scie	mm	2.8
Diamètre d'alésage	mm	30
Vitesse de lame max.	min^{-1}	4800
Onglet (positions max.)	à gauche	47°
	à droite	52°
Biseau (positions max.)	à gauche	45°
	à droite	45°
Onglet de 0°, biseau de 0°	92mm x 285mm / 80mm x 310mm	
Onglet de 45°, biseau de 0°	92mm x 190mm / 80mm x 210mm	
Onglet de 0°, biseau de 45° gauche	47mm x 285mm / 45mm x 310mm	
Onglet de 45°, biseau de 45° gauche	47mm x 190mm / 45mm x 210mm	
Onglet de 0°, biseau de 45° droite	35mm x 285mm / 25mm x 310mm	
Onglet de 45°, biseau de 45° droite	35mm x 190mm / 25mm x 210mm	
Temps de freinage automatique de la lame	s	<10.0
Poids	kg	18.6

GARANTIE DE DEUX ANS

Si un produit STANLEY s'avère défectueux en raison de matériaux en mauvais état ou d'une erreur humaine dans les 24 mois suivant la date d'achat, STANLEY garantit le remplacement

gratuit de toutes les pièces défectueuses ou, à votre discrétion, le remplacement gratuit de l'unité si :

- Le produit a été correctement utilisé et a été utilisé en respectant les instructions du manuel ;
- L'usage du produit est normale ;
- Aucune réparation n'a été tentée par des personnes non autorisées ;
- Une preuve d'achat est donnée ;
- Le produit STANLEY est réexpédié avec tous les composants d'origine ;
- Le produit n'a pas été loué.

Si vous souhaitez déposer une réclamation, contactez votre vendeur ou vérifiez l'emplacement de l'agent de réparation agréé STANLEY le plus proche dans votre catalogue STANLEY, ou contactez votre bureau local STANLEY à l'adresse indiquée dans ce manuel. Une liste d'agents de réparation agréés STANLEY et des informations complètes concernant notre service après-vente sont disponibles en ligne à l'adresse suivante : www.2helpU.com.

НАЗНАЧЕНИЕ

Ваша торцовочная пила STANLEY SM18 предназначена для профессиональных работ по пиленю древесины, алюминия, изделий из дерева и алюминия и пластика. Данной пилой можно легко, точно и безопасно производить поперечное пиление, а также пиление со скосом и с наклоном. Данный инструмент предназначен для профессионального использования.

ИНСТРУКЦИИ ПО ТЕХНИКЕ БЕЗОПАСНОСТИ

Следующие определения указывают на степень важности каждого сигнального слова. Прочтите руководство по эксплуатации и обратите внимание на данные символы.



ОПАСНО: Означает чрезвычайно опасную ситуацию, которая приводит к смертельному исходу или получению тяжёлой травмы.



ВНИМАНИЕ: Означает потенциально опасную ситуацию, которая может привести к смертельному исходу или получению тяжёлой травмы.



ПРЕДУПРЕЖДЕНИЕ: Означает потенциально опасную ситуацию, которая может привести к получению травмы лёгкой или средней тяжести.

ПРЕДОСТЕРЕЖЕНИЕ: Означает ситуацию, не связанную с получением телесной травмы, которая, однако, может привести к повреждению инструмента.



Риск поражения электрическим током!



Огнеопасность!



Внимание: Внимательно прочтите руководство по эксплуатации для снижения риска получения травмы.

Общие правила безопасности при работе с электроинструментами



ВНИМАНИЕ! Внимательно прочтите все инструкции по использованию, правила безопасности, спецификации, а также рассмотрите все иллюстрации, входящие в руководство по эксплуатации данного электроинструмента. Несоблюдение всех перечисленных ниже инструкций может привести к поражению электрическим током, возникновению пожара и/или получению серьёзной травмы.

Сохраните все инструкции по безопасности и руководство по эксплуатации для их дальнейшего использования

Термин «Электроинструмент» во всех приведённых ниже указаниях относится к вашему сетевому (с кабелем) или аккумуляторному (беспроводному) электроинструменту.

1. Безопасность рабочего места

- Содержите рабочее место в чистоте и обеспечьте хорошее освещение.** Плохое освещение или беспорядок на рабочем месте может привести к несчастному случаю.
- Не используйте электроинструменты, если есть опасность возгорания или взрыва, например, вблизи легко воспламеняющихся жидкостей, газов или пыли.** В процессе работы электроинструменты создают искровые разряды, которые могут воспламенить пыль или горючие пары.
- Во время работы с электроинструментом не подпускайте близко детей или посторонних лиц.** Отвлечение внимания может вызвать у вас потерю контроля над рабочим процессом.

2. Электробезопасность

- Вилка кабеля электроинструмента должна соответствовать штепсельной розетке. Ни в коем случае не видоизменяйте вилку электрического кабеля.** Не используйте соединительные штепсели-переходники, если в силовом кабеле электроинструмента есть провод заземления. Использование оригинальной вилки кабеля и соответствующей ей штепсельной розетки уменьшает риск поражения электрическим током.
- Во время работы электроинструментом избегайте физического контакта с заземлёнными объектами, такими как трубопроводы, радиаторы отопления, электроплиты и холодильники.** Риск поражения электрическим током увеличивается, если ваше тело заземлено.
- Не используйте электроинструмент под дождём или во влажной среде.** Попадание воды в электроинструмент увеличивает риск поражения электрическим током.
- Бережно обращайтесь с электрическим кабелем. Ни в коем случае не используйте кабель для переноски электроинструмента или для вытягивания его вилки из штепсельной розетки.** Не подвергайте электрический кабель воздействию высоких температур и

смазочных веществ; держите его в стороне от острых кромок и движущихся частей. Повреждённый или запутанный кабель увеличивает риск поражения электрическим током.

e. **При работе с электроинструментом на открытом воздухе используйте удлинительный кабель, предназначенный для наружных работ.** Использование кабеля, пригодного для работы на открытом воздухе, снижает риск поражения электрическим током.

f. **При необходимости работы с электроинструментом во влажной среде используйте источник питания, оборудованный устройством защитного отключения (УЗО).** Использование УЗО снижает риск поражения электрическим током.

3. Личная безопасность

a. **При работе с электроинструментами будьте внимательны, следите за тем, что вы делаете, и руководствуйтесь здравым смыслом.** Не используйте электроинструмент, если вы устали, а также находясь под действием алкоголя или понижающих реакцию лекарственных препаратов и других средств. Малейшая неосторожность при работе с электроинструментами может привести к серьёзной травме.

b. **При работе используйте средства индивидуальной защиты. Всегда надевайте защитные очки. Своевременное использование защитного снаряжения, а именно: пылезастыжной маски, ботинок на нескользящей подошве, защитного шлема или противозумовых наушников, значительно снизит риск получения травмы.**

c. **Не допускайте непреднамеренного запуска. Перед тем, как подключить инструмент к сети и/или аккумулятору, поднять или перенести его, убедитесь, что выключатель находится в положении «выключено».** Не переносите электроинструмент, держа палец на пусковом выключателе, и не подключайте к сетевой розетке электроинструмент, выключатель которого установлен в положение «включено», это может привести к несчастному случаю.

d. **Перед включением электроинструмента снимите с него все регулировочные или гаечные ключи.** Регулировочный или гаечный ключ, оставленный закреплённым

на вращающейся части электроинструмента, может стать причиной получения тяжёлой травмы.

e. **Работайте в устойчивой позе. Всегда твёрдо стойте на ногах, сохраняя равновесие.** Это позволит вам не потерять контроль при работе электроинструментом в непредвиденной ситуации.

f. **Одевайтесь соответствующим образом. Во время работы не надевайте свободную одежду или украшения.** Следите за тем, чтобы ваши волосы и одежда находились в постоянном отдалении от движущихся частей инструмента. Свободная одежда, украшения или длинные волосы могут попасть в движущиеся части инструмента.

g. **Если электроинструмент снабжён устройством сбора и удаления пыли, убедитесь, что данное устройство подключено и используется надлежащим образом.** Использование устройства пылеудаления значительно снижает риск возникновения несчастного случая, связанного с запылённостью рабочего пространства.

h. **Даже если вы являетесь опытным пользователем и часто используете подобные инструменты, не позволяйте себе расслабляться и игнорировать правила безопасности при использовании инструмента.** Неосторожность и невнимательность при работе могут привести к тяжёлым травмам за доли секунды.

4. Использование электроинструментов и технический уход

a. **Не перегружайте электроинструмент. Используйте ваш инструмент по назначению.** Электроинструмент работает надёжно и безопасно только при соблюдении параметров, указанных в его технических характеристиках.

b. **Не используйте электроинструмент, если его выключатель не устанавливается в положение включения или выключения.** Электроинструмент с неисправным выключателем представляет опасность и подлежит ремонту.

c. **Отключайте электроинструмент от сетевой розетки и/или извлекайте аккумулятор (если имеется) перед регулировкой, заменой принадлежностей или при хранении электроинструмента.** Такие меры предосторожности снижают риск случайного включения электроинструмента.

- d. **Храните неиспользуемые электроинструменты в недоступном для детей месте и не позволяйте лицам, не знакомым с электроинструментом или данными инструциями, работать с электроинструментом.** Электроинструменты представляют опасность в руках неопытных пользователей.
- e. **Регулярно проверяйте исправность электроинструмента и дополнительных принадлежностей. Проверяйте точность совмещения и лёгкость перемещения подвижных частей, целостность деталей и любых других элементов электроинструмента, воздействующих на его работу.** Не используйте неисправный электроинструмент, пока он не будет полностью отремонтирован. Большинство несчастных случаев являются следствием недостаточного технического ухода за электроинструментом.
- f. **Следите за остротой заточки и чистотой режущих принадлежностей.** Принадлежности с острыми кромками позволяют избежать заклинивания и делают работу менее утомительной.
- g. **Используйте электроинструмент, аксессуары и насадки в соответствии с данным Руководством по эксплуатации и с учётом рабочих условий и характера будущей работы.** Использование электроинструмента не по назначению может создать опасную ситуацию.
- h. **Следите, чтобы рукоятки и поверхности захвата оставались сухими, чистыми и не содержали следов масла и консистентной смазки.** Скользкие рукоятки и поверхности захвата не обеспечивают безопасное обращение и управление инструментом в неожиданных ситуациях.

5. Техническое обслуживание

- a. **Ремонт вашего электроинструмента должен производиться только квалифицированными специалистами с использованием идентичных запасных частей.** Это обеспечит безопасность вашего электроинструмента в дальнейшей эксплуатации.

ПРАВИЛА БЕЗОПАСНОСТИ ПРИ РАБОТЕ ТОРЦОВОЧНЫМИ ПИЛАМИ

- ♦ **Торцовочные пилы не предназначены для пиления древесины и древесноподобных продуктов из дерева и не могут использоваться с абразивными режущими дисками для резки материалов, содержащих железо,**
- ♦ **например, стержней, прутьев, гвоздей и пр.** Абразивная пыль является причиной смещения частей инструмента, например, заедания нижнего защитного кожуха. Искры в результате абразивной резки способны поджечь нижний защитный кожух, пластину для пропила и другие детали из пластика.
- ♦ **При малейшей возможности используйте струбцины для фиксации обрабатываемой детали.** При удерживании заготовки рукой, следите, чтобы ваша рука всегда находилась на расстоянии не менее 100 мм от любой из сторон пильного диска. Не используйте данную пилу для распиливания мелких деталей, которые невозможно закрепить струбцинами или удерживать рукой. Слишком близкое расположение рук от пильного диска повышает риск получения травмы в результате случайного контакта с диском.
- ♦ **Заготовка должна быть неподвижной и надёжно зафиксированной, или удерживаться рукой вплотную к направляющей и распиловочному столу. Никогда не подавайте ничем не поддерживаемую заготовку под движущийся пильный диск.** Незакреплённые или подвижные заготовки могут быть отброшены в сторону на высокой скорости, став причиной получения травмы.
- ♦ **Мягко вводите пилу в заготовку с небольшим нажимом. Не прикладывайте к пиле чрезмерного давления при распиле заготовки. Чтобы сделать распил, поднимите пильную головку и расположите её над обрабатываемой деталью.** Включите двигатель, опустите пильную головку и мягко введите её в заготовку. Пиление со слишком большим нажимом часто приводит к тому, что пильный диск поднимается над заготовкой и узел диска резко отскакивает в сторону оператора.
- ♦ **Никогда не кладите руку на предполагаемую линию пропила - ни спереди, ни позади пильного диска.** «Перекрёстное» ручное удержание заготовки, т.е. удержание заготовки справа от пильного диска левой рукой и наоборот, очень опасно.
- ♦ **Не пытайтесь дотянуться рукой до задней стороны направляющей на расстоянии менее чем 100 мм от любой стороны вращающегося пильного диска, чтобы убрать обрезки или по любой другой причине.** Степень близости вращающегося

диска к вашим рукам может быть неочевидна, и Вы получите тяжёлую травму.

- ♦ **Перед началом пиления внимательно осмотрите заготовку. Если заготовка искривлена или изогнута, зафиксируйте её внешней изогнутой стороной лицом к направляющей.** Всегда следите, чтобы между заготовкой, направляющей и распиловочным столом не было никаких зазоров на протяжении всей линии пропила. Искривлённые или изогнутые заготовки могут перекрутиться или сместиться во время пиления, что приведёт к заклиниванию вращающегося пильного диска в заготовке. Проверьте, чтобы в заготовке не было гвоздей и других посторонних предметов.
- ♦ **Не используйте пилу, пока распиловочный стол не будет полностью очищен от инструментов, обрезков и пр., и на нём не останется одна лишь заготовка.** Мелкий мусор или деревянные обрезки и другие предметы при контакте с движущимся пильным диском могут быть отброшены в сторону на высокой скорости.
- ♦ **Не пилите одновременно несколько заготовок.** Сразу несколько заготовок не могут быть зафиксированы или скреплены достаточно надёжно, что станет причиной заклинивания пильного диска или смещения заготовок во время распила.
- ♦ **Перед использованием убедитесь, что торцовочная пила помещена или установлена на ровной и твёрдой рабочей поверхности.** Ровная и твёрдая рабочая поверхность снижает риск неустойчивости пилы.
- ♦ **Планируйте работу. Каждый раз при смене угла скоса или наклона проверяйте, что направляющая правильно отрегулирована для поддержки заготовки, и не мешает действиям пильного диска или защитных кожухов.** Не включая инструмент и не используя заготовку, проведите пильный диск через воображаемый пропил, чтобы удостовериться, что ему не мешает направляющая и нет риска разрезать направляющую.
- ♦ **Обеспечивайте надлежащую опору для заготовок, ширина или длина которых превышает размеры распиловочного стола.** Для этого используйте раздвижные столы, козлы и прочие приспособления. Не поддерживаемые должным образом заготовки, длина или ширина которых больше распиловочного стола, во время пиления могут подняться или наклониться.

Приподнявшаяся заготовка может поднять нижний защитный кожух или отброшена в сторону вращающимся пильным диском.

- ♦ **Никогда не используйте другого человека в качестве замены раздвижного стола или другой дополнительной опоры для заготовки.** Неустойчивая опора заготовки может привести к заклиниванию пильного диска или резкому смещению заготовки во время распила, отбросив вас и вашего помощника на вращающийся пильный диск.
- ♦ **Отрезная часть заготовки никогда не должна прижиматься вплотную к вращающемуся пильному диску.** Если захват отрезной конец, например, ограничителями длины, он может попасть под диск и быть резко отброшен в сторону.
- ♦ **Всегда используйте зажимы или крепления, специально предназначенные для фиксации круглых профилей, например, стержней или труб.** Стержни имеют тенденцию вращаться при распиле, что станет причиной неравномерного врезания пильного диска и ваши руки, и заготовка будут утянуты под диск.
- ♦ **Прежде чем касаться диском заготовки дождитесь, пока диск не наберёт полную скорость.** Это снизит риск отсакивания заготовки.
- ♦ **Если произошло заклинивание заготовки или пильного диска, немедленно выключите торцовочную пилу.** Дождитесь полной остановки всех движущихся деталей и отсоедините инструмент от источника питания или извлеките аккумулятор. Только после этого займитесь освобождением заклинившего материала. Пиление заклинившей заготовки может привести к потере контроля над инструментом или стать причиной повреждения торцовочной пилы.
- ♦ **По окончании распила отпустите пусковой выключатель, наклоните пильную головку вниз и дождитесь полной остановки пильного диска.** Только после этого убирайте отрезанные части заготовки. Держать руки вблизи вращающегося пильного диска опасно.
- ♦ **Крепко удерживайте пилу за рукоятку, делая незаконченный распил или нажимая на пусковой выключатель, полностью не опустив пильную головку.** Тормозное действие пилы может стать причиной резкого самопроизвольного опускания вниз пильной головки, повышая риск получения травмы.

**ДОПОЛНИТЕЛЬНЫЕ ПРАВИЛА
БЕЗОПАСНОСТИ ПРИ РАБОТЕ
ТОРЦОВОЧНЫМИ ПИЛАМИ**

- ♦ Данный инструмент оснащён специальным электрическим кабелем, который может быть заменён только изготовителем или в авторизованном сервисном центре
- ♦ Не используйте пилу для резки других материалов, кроме рекомендованных изготовителем.
- ♦ Не используйте инструмент без установленных защитных кожухов, а также, если защитные кожухи повреждены или не установлены должным образом.
- ♦ Перед выполнением распила с наклоном убедитесь, что пильная головка надёжно зафиксирована.
- ♦ Следите, чтобы пол вокруг инструмента был ровным и всегда оставался чистым, не допускайте скапливания опилок или щепок.
- ♦ Используйте правильно заточенные пильные диски. Учитывайте максимальную скорость, обозначенную на пильном диске.
- ♦ Перед началом работы убедитесь, что все фиксаторы и зажимные рукоятки надёжно затянуты.
- ♦ Никогда не держите руки рядом с пильным диском, когда инструмент подключён к источнику питания.
- ♦ Никогда не пытайтесь быстро остановить механизм путём прижатия какого-либо инструмента или другого предмета к пильному диску; это может привести к получению тяжёлой травмы.
- ♦ Перед использованием любых принадлежностей внимательно прочтите руководство по эксплуатации. Неправильное использование принадлежностей может стать причиной повреждения инструмента.
- ♦ При захвате пильных дисков используйте держатель или надевайте перчатки.
- ♦ Перед использованием инструмента, убедитесь, что пильный диск установлен правильно.
- ♦ Убедитесь, что диск вращается в правильном направлении.
- ♦ Будьте внимательны при выполнении пазов.
- ♦ Не используйте диски меньшего или большего диаметра, чем рекомендовано. См. скорость вращения дисков в разделе «Технические характеристики». Используйте только диски, указанные в данном руководстве и соответствующие стандарту EN 847-1.
- ♦ Старайтесь использовать специальные пильные диски с пониженным уровнем шума.
- ♦ Не используйте диски из быстрорежущей инструментальной стали (HSS).
- ♦ Не используйте треснувшие или повреждённые пильные диски.
- ♦ Не используйте абразивные или алмазные диски любого типа.
- ♦ Запрещается использовать пилу без пластины для пропила.
- ♦ Прежде чем отпустить выключатель поднимите диск из пропила в заготовке.
- ♦ Не заклинивайте никакими предметами крыльчатку вентилятора для удерживания вала двигателя.
- ♦ Защитный кожух пильного диска автоматически поднимается при опускании вниз пильной головки и опускается на диск при нажатии на рычаг фиксации верхнего положения пильной головки (с).
- ♦ Никогда не поднимайте защитный кожух диска вручную, если инструмент не выключен. Защитный кожух можно поднимать вручную при установке или демонтаже пильных дисков, а также для осмотра пилы.
- ♦ Периодически проверяйте чистоту вентиляционных отверстий двигателя и отсутствие в них щепок.
- ♦ Заменяйте изношенную пластину для пропила. См. список запасных деталей.
- ♦ Перед заменой диска или выполнением технического обслуживания отключите пилу от источника питания.
- ♦ Никогда не выполняйте чистку или техническое обслуживание, когда инструмент ещё работает, а пильная головка находится в рабочем положении.
- ♦ По возможности всегда устанавливайте инструмент на верстак.
- ♦ Передняя секция защитного кожуха снабжена прорезями типа жалюзи для обеспечения видимости во время распила. Несмотря на то, что жалюзийные прорези заметно сокращают количество разлетающихся обрезков, они являются открытыми отверстиями на защитном кожухе, поэтому при просмотре сквозь них всегда надевайте защитные очки.
- ♦ При распиловке древесины подсоединяйте к пиле устройство пылеудаления. Всегда соблюдайте условия, влияющие на образование пыли:

- тип обрабатываемого материала (при распиловке древесно-стружечной плиты образуется больше пыли, чем при распиловке древесины);
- острая заточка пильного диска;
- правильная регулировка пильного диска.
- скорость воздушного потока пылеудаляющего устройства должна быть не ниже 20 м/сек.
- ♦ Убедитесь, что местная вытяжная вентиляция, так же как вытяжные шкафы, отражатели и желоба, настроены должным образом.
- ♦ Учитывайте следующие факторы, влияющие на образование шума:
 - используйте пильные диски с пониженным шумовыделением;
 - используйте только хорошо заточенные пильные диски;
- ♦ Инструмент должен проходить регулярное техническое обслуживание;
- ♦ Сообщайте обо всех неисправностях инструмента, включая поврежденные защитные кожухи и пильные диски, по мере их обнаружения;
- ♦ Обеспечьте достаточное общее или местное освещение;
- ♦ Убедитесь, что оператор прошел специальное обучение по использованию, регулировке и эксплуатации инструмента;
- ♦ Убедитесь, что все монтажные элементы и шпindelные шайбы подходят для применения с данным инструментом, как описано в данном руководстве по эксплуатации.
- ♦ Никогда не удаляйте обрезки или другие части заготовки из зоны распила, когда инструмент ещё работает, а пильная головка находится в рабочем положении.
- ♦ Никогда не распиливайте заготовки короче 30 мм (Рисунок 34).
- ♦ Максимальный размер заготовки для обработки данным инструментом без использования дополнительной опоры:
 - Высота 75 мм x ширина 140 мм x длина 460 мм.
 - Более длинные заготовки должны поддерживаться дополнительным столом (опорой для заготовки). Всегда надёжно закрепляйте заготовку.
- ♦ В случае поломки или выхода инструмента из строя немедленно выключите инструмент и отключите его от источника питания.
- ♦ Сообщите о неисправности и должным образом опишите состояние инструмента, чтобы предотвратить использование повреждённого инструмента другими пользователями.
- ♦ При блокировке пильного диска в результате аномального усилия подачи в процессе распила, выключите инструмент и отключите его от источника питания. Удалите заготовку и убедитесь, что пильный диск вращается свободно. Снова включите инструмент и начните новый распил с уменьшенным усилием подачи.
- ♦ Никогда не используйте для резания лёгких сплавов, особенно, магния.
- ♦ По возможности всегда монтируйте инструмент на рабочем столе, используя болты.

ОСТАТОЧНЫЕ РИСКИ

Следующие риски являются характерными при использовании пил:

- Травмы в результате касания вращающихся/двигающихся частей инструмента.

Несмотря на соблюдение соответствующих инструкций по технике безопасности и использование предохранительных устройств, некоторые остаточные риски невозможно полностью исключить. К ним относятся:

- Ухудшение слуха.
- Риск несчастных случаев, вызванных незакрытыми частями вращающегося пильного диска.
- Риск получения травмы при смене диска.
- Риск защемления пальцев при открытии защитных кожухов.
- Ущерб здоровью в результате вдыхания пыли в процессе распила древесины, в особенности, дуба, бука и ДВП.

Нижеследующие факторы увеличивают риск нарушения дыхания:

- При обработке древесины не используется пылеудаляющее устройство.
- Засорившиеся выхлопные фильтры могут стать причиной недостаточного пылеудаления.

ЭЛЕКТРОБЕЗОПАСНОСТЬ

Электрический двигатель рассчитан на работу только при одном напряжении электросети. Следите за напряжением электрической сети, оно должно соответствовать величине, обозначенной на информационной табличке инструмента.



Ваш инструмент Stanley защищён двойной изоляцией, что исключает потребность в заземляющем проводе.

Повреждённый кабель должен заменяться специально подготовленным кабелем в авторизованном сервисном центре STANLEY.

ИСПОЛЬЗОВАНИЕ УДЛИНИТЕЛЬНОГО КАБЕЛЯ

При необходимости использования удлинительного кабеля, используйте только утверждённые 3-х жильные кабели промышленного изготовления, рассчитанные на мощность не меньшую, чем потребляемая мощность данного инструмента (см. раздел «Технические характеристики»). Минимальный размер проводника должен составлять 1,5 мм²; максимальная длина кабеля не должна превышать 30 м. При использовании кабельного барабана, всегда полностью разматывайте кабель.

Поперечное сечение проводника (мм ²)	Номинал кабеля (Ампер)
0.75	6
1.00	10
1.50	15
2.50	20
4.00	25

Длина кабеля (м)						
	7.5	15	25	30	45	60

Напряжение	Ампер	Номинал кабеля (Ампер)					
110-127	0 - 2.0	6	6	6	6	6	10
	2.1 - 3.4	6	6	6	6	15	15
	3.5 - 5.0	6	6	10	15	20	20
	5.1 - 7.0	10	10	15	20	20	25
	7.1 - 12.0	15	15	20	25	25	-
230	12.1 - 20.0	20	20	25	-	-	-
	0 - 2.0	6	6	6	6	6	6
	2.1 - 3.4	6	6	6	6	6	6
	3.5 - 5.0	6	6	6	6	10	15
	5.1 - 7.0	10	10	10	10	15	15
7.1 - 12.0	15	15	15	15	20	20	
12.1 - 20.0	20	20	20	20	25	-	

МАРКИРОВКА ИНСТРУМЕНТА

В дополнение к пиктограммам, содержащимся в данном руководстве по эксплуатации, на инструменте имеются символы, которые отображают следующее:

	ВНИМАНИЕ! Полное ознакомление с руководством по эксплуатации перед использованием инструмента снизит риск получения травмы.		
	Надевайте защитные очки или маску.		
	Используйте средства защиты органов слуха.		
	Надевайте защитную маску или респиратор.		
V	Вольт		Постоянный ток
A	Ампер	n_0	Скорость без нагрузки
Hz	Герц		Конструкция Класса II
W	Ватт		Клемма заземления
min	минут		Символ опасности
	Переменный ток	/min.	Кол-во оборотов или шагов в минуту

Место положения кода даты (Рис. 1)

Код даты, который также включает в себя год изготовления, отштампован на поверхности корпуса инструмента.

Пример:

2019 XX XX
Год изготовления

В УПАКОВКУ ВХОДЯТ

- 1 Торцовочная пила
- 1 Ключ для установки пильного диска, помещённый в пакет для ключей
- 1 Пильный диск
- 1 Пылесборник
- 1 Вертикальный зажим для заготовки
- 1 Задняя опора
- 1 Руководство по эксплуатации

- ♦ Проверьте инструмент, детали и дополнительные приспособления на наличие повреждений, которые могли произойти во время транспортировки.
- ♦ Перед началом работы необходимо внимательно прочитать настоящее руководство и принять к сведению содержащуюся в нём информацию.

Описание (Рис. 1, 2, 3, 5, 6, 12, 23, 27, 28)



ВНИМАНИЕ: Ни в коем случае не модифицируйте электроинструмент или какую-либо его деталь. Это может привести к получению травмы или повреждению инструмента.

- a. Рабочая рукоятка
- b. Нижний защитный кожух
- c. Правая направляющая
- d. Распиловочный стол
- e. Зажимная рукоятка установки угла скоса
- f. Градуированная шкала угла скоса
- g. Основание
- h. Ручка выдвижного стола
- i. Ключ
- j. Монтажные отверстия для крепления к рабочему столу
- k. Зажимная рукоятка направляющей
- l. Курковый пусковой выключатель
- m. Ручка для переноски
- n. Выпускное отверстие пылеотвода
- o. Фиксатор пильной головки
- p. Зажимная рукоятка фиксатора наклона пильной головки
- q. Градуированная шкала угла наклона
- r. Выемка для захвата рукой
- s. Пластина для пропила
- t. Фиксатор угла скоса
- u. Код даты
- v. Левая направляющая
- w. Торцевая крышка
- x. Блокировка шпинделя
- y. Отверстие для висячего замка
- z. Фиксатор угла наклона
- aa. Стопорный винт регулировки угла наклона
- bb. Кнопка включения светодиодной подсветки
- cc. Стопорный винт регулировки вертикального положения
- dd. Рычаг блокировки пускового выключателя
- ee. ограничителями длины,
- ff. Пылесборник
- gg. Вертикальный зажим для заготовки

- hh. Перемный удерживающий болт консоли
- ii. Опора для заготовки
- jj. Стопорный винт направляющей
- mm. Задняя опора
- aaa. Задняя рукоятка
- bbb. Опора консоли
- ccc. Зажимная рукоятка опоры для заготовки
- ddd. Зажимная рукоятка фиксатора штанг
- fff. Зажимная рукоятка установки угла наклона
- ggg. Рукоятка ограничителя скольжения

СБОРКА И РЕГУЛИРОВКА



ВНИМАНИЕ: Во избежание травмы, выключите инструмент и отсоедините его от источника электропитания, прежде чем устанавливать и демонтировать принадлежности, выполнять или изменять настройки, а также перед проведением ремонта. Убедитесь, что курковый пусковой выключатель находится в положении ВЫКЛ. Непреднамеренный запуск инструмента может привести к получению травмы.

Распаковка (Рис. 2, 4, 5, 6)

- ♦ Remove the saw from the packing material carefully using the carrying handle (m) and заднюю рукоятку (aaa).
- ♦ Используя ключ (i), входящий в комплект поставки, установите заднюю опору (mm) в задней части основания (g).
- ♦ Надавите на рабочую рукоятку (a) и вытяните фиксатор пильной головки (o), как показано на рисунке.
- ♦ Мягко ослабьте нажим и возьмитесь за рабочую рукоятку, позволяя ей подняться на максимальную высоту.

Закрепление пилы на рабочем столе (Рис. 7)

- ♦ Все 4 опорные лапы имеют отверстия (j), предназначенные для крепления пилы на рабочем столе. Пила должна быть надёжно закреплена на рабочем столе во избежание смещения. Для повышения мобильности электропилы, её можно установить на листе фанеры толщиной 15 мм или тоньше, который затем может быть закреплён на рабочем столе или перенесён и установлен в других местах.
- ♦ При установке электропилы на листе фанеры убедитесь, что монтажные винты не выступают снизу. Лист фанеры должен плотно прилегать к рабочему столу. При фиксации

пилы к любой рабочей поверхности с помощью зажимных устройств, располагайте их только в местах расположения крепёжных отверстий. Крепление в каком-либо другом месте может нарушить нормальную работу пилы.

- ◆ Во избежание заклинивания и неточной работы, проследите за тем, чтобы монтажная поверхность была ровной. Во избежание качания электропилы на опорной плоскости, подложите под одну из опорных лап тонкие обрезки распиливаемого материала, до полной стабилизации электропилы на опорной плоскости.

Установка пильного диска (Рис. 8, 9, 10)



ВНИМАНИЕ: Во избежание травмы, выключите инструмент и отсоедините его от источника электропитания, прежде чем устанавливать и демонтировать принадлежности, выполнять или изменять настройки, а также перед проведением ремонта. Убедитесь, что курковый пусковой выключатель находится в положении ВЫКЛ. Непреднамеренный запуск инструмента может привести к получению травм.

- ◆ Никогда не нажимайте на кнопку блокировки шпинделя, если пильный диск находится в движении или под напряжением
- ◆ Не используйте данную торцовочную пилу для резки лёгких сплавов и чёрных металлов (с содержанием чугуна и стали), камня или изделий из волокнистого цемента.
- ◆ При пилении различных материалов используйте соответствующие пильные диски.

1. Удерживая нижний защитный кожух в поднятом положении, ослабьте винт кронштейна защитного кожуха (kk), поднимая кронштейн защитного кожуха (ll) до тех пор, пока не появится доступ к крепёжному винту пильного диска (nn).

2. Одной рукой нажмите на кнопку блокировки шпинделя (x), затем другой рукой входящим в комплект поставки ключом (i) ослабьте крепёжный винт пильного диска (nn), поворачивая его в направлении по часовой стрелке.



ВНИМАНИЕ: Для блокировки шпинделя удерживайте кнопку, как показано на рисунке, и медленно поворачивайте рукой шпиндель, до осязаемой его фиксации.

Во избежание вращения шпинделя, продолжайте удерживать кнопку блокировки.

3. Удалите крепёжный винт пильного диска (nn) и наружное распорное кольцо (pp).
4. Установите пильный диск (oo) на переходник для диска, наденьте на внутреннее распорное кольцо (rr), следя за тем, чтобы острия зубьев нижней части пильного диска были направлены в сторону тыльной части пилы (в направлении от оператора).
5. Установите на место наружное распорное кольцо (pp).
6. Удерживая одной рукой нажатой кнопку блокировки шпинделя, другой рукой затяните с усилием крепёжный винт пильного диска (nn), поворачивая его в направлении против часовой стрелки.
7. Верните кронштейн защитного кожуха (ll) в нижнее исходное положение и надёжно затяните винт (kk), удерживающий кронштейн на месте.



ВНИМАНИЕ! Устанавливайте пильный диск только в соответствии с данными инструкциями. Используйте только диски, обозначенные в разделе «Технические характеристики».



ВНИМАНИЕ! Перед началом работы верните кронштейн защитного кожуха (ll) в нижнее исходное положение и затяните винт кронштейна (kk).



ВНИМАНИЕ! В противном случае защитный кожух войдёт в контакт с вращающимся пильным диском, что повлечёт за собой повреждение пилы и получение тяжёлых травм.

Ваша торцовочная пила точно настроена на заводе-изготовителе. Если после транспортировки или вследствие других причин возникла необходимость в повторной регулировке, следуйте приведённым ниже указаниям. Настоятельно рекомендуется настроить электропилу один раз, затем эти настройки не должны изменяться.

Проверка и регулировка шкалы угла скоса (Fig. 11, 12, 13)

1. Ослабьте рукоятку регулировки угла скоса (e) и нажмите на фиксатор угла скоса (t), чтобы разблокировать консоль. Покачивайте консоль, пока затвор не остановит её на позиции 0° угла скоса. Не затягивайте зажимную рукоятку установки угла скоса (e).
2. Опускайте пильную головку вниз, пока зубья диска не достигнут прорези пластины для пропила (s).

- Прижмите угольник (tt) к левой стороне направляющей (v) и к пильному диску (oo) (Fig. 11).



ВНИМАНИЕ: Не касайтесь угольником режущих кромок зубьев пильного диска!

При необходимости регулировки выполните следующие действия:

- Затяните зажимную рукоятку установки угла скоса (e). Ослабьте зажимную рукоятку направляющей (k), снимите левую направляющую (v) и правую направляющую (c).
- Ослабьте 4 шестигранных винта позади направляющей и при необходимости отрегулируйте основание направляющей вплотную к угольнику (tt).
- Затяните шестигранные винты и установите боковую направляющую.

Проверка и регулировка положения диска относительно распиловочного стола (Рис. 14, 15, 16)

- Ослабьте зажимную рукоятку фиксатора угла наклона пильной головки (p).
- Переведите консоль до упора вправо, чтобы убедиться в том, что она расположена строго вертикально, а фиксатор угла наклона расположен вплотную к стопорному винту регулировки вертикального положения (cc), затем затяните зажимную рукоятку фиксатора угла наклона пильной головки.
- Опускайте пильную головку вниз, пока зубья диска не достигнут прорези пластины для пропила (s).
- Приложите угольник (tt) горизонтально к столу и вертикально к плоскости пильного диска (oo) (Рис. 15).



ВНИМАНИЕ: Не касайтесь угольником режущих кромок зубьев пильного диска!

При необходимости регулировки выполните следующие действия:

- Ослабьте стопорную гайку (ww) на несколько оборотов и поворачивайте стопорный винт регулировки угла наклона (cc) вправо или влево до тех пор, пока указатель (xx) не остановится на отметке 45°-0°, а фиксатор угла наклона не окажется вплотную к стопорному винту регулировки угла наклона.
- Надёжно затяните стопорную гайку (ww), удерживая в неподвижности стопорный винт (cc).

- Если указатель наклона (xx) не указывает на ноль градуированной шкалы (g), ослабьте винт (vv), удерживающий указатель, и установите указатель на ноль.

Регулировка направляющей (Рис. 17)

Положение верхней направляющей можно изменять с целью получения свободного пространства, необходимого для работы пильной головки с наклоном до 45° влево и 0° вправо.

Чтобы отрегулировать левую направляющую (v) и правая направляющая (c):

- Ослабьте пластиковую зажимную рукоятку (k) левой направляющей и передвиньте направляющую влево.
- Не включая электропилу, на холостом ходу проверьте зазор между пильным диском и направляющей.
- Затяните рукоятку с усилием.



ВНИМАНИЕ: Направляющие пазы (zz) могут засориться опилками. Для прочистки направляющих пазов используйте деревянную палочку или сжатый воздух под низким давлением.

Проверка и регулировка угла наклона (Рис. 17, 18, 19)

- Ослабьте зажимную рукоятку (k) левой направляющей (v) и сдвиньте её верхнюю часть насколько возможно влево.
- Ослабьте зажимную рукоятку фиксатора наклона (p) и переместите пильную головку влево в положение пиления с наклоном 45°.

При необходимости регулировки выполните следующие действия:

- Ослабьте стопорную гайку (ww) на несколько оборотов и поворачивайте стопорный винт регулировки угла наклона (aa) вправо или влево до тех пор, пока указатель (xx) не остановится на отметке 45°, а фиксатор угла наклона (z) не окажется вплотную к стопорному винту регулировки угла наклона.
- Надёжно затяните стопорную гайку (ww), удерживая в неподвижности стопорный винт (aa).
- Для установки угла наклона 0° вправо или 45° влево оба стопорных винта должны быть отрегулированы должным образом, чтобы позволить консоли двигаться в зависимости от необходимости.

Регулировка ограничителя глубины реза (вырезание пазов) (Рис. 20)

Это необходимо сделать, если предполагается выпиливание пазов.

- Переместите пластину ограничителя глубины реза (hhh) на место, как показано на Рис. 20.
- Держась за рукоятку, наклоните головку пилы в положение, при котором будет достигнута нужная глубина пазы.
- Поворачивайте регулировочный винт (ss) по часовой стрелке, пока кончик винта не коснётся ограничителя корпуса.
- Медленно переведите пыльную головку в верхнее положение.

По завершении вырезания пазов верните ограничитель глубины реза в его исходное положение.

Убедитесь, что пыльный диск не касается какой-либо части основания или пластины для пропила.

Приведение в действие защитного кожуха и видимость

Защитный кожух вашей пилы сконструирован таким образом, чтобы автоматически подниматься при опускании пыльной головки и опускаться, закрывая диск, когда пыльная головка поднята.

Защитный кожух можно поднимать вручную при установке или демонтаже пыльных дисков, а также для осмотра пилы. НИКОГДА НЕ ПОДНИМАЙТЕ ЗАЩИТНЫЙ КОЖУХ ДИСКА ВРУЧНУЮ, ЕСЛИ ИНСТРУМЕНТ НЕ ВЫКЛЮЧЕН.

ПРИМЕЧАНИЕ: Выполнение некоторых специальных резов требует ручного поднятия защитного кожуха. Передняя секция защитного кожуха снабжена прорезями типа жалюзи для обеспечения видимости во время распила. Несмотря на то, что жалюзийные прорези заметно сокращают количество разлетающихся обрезков, они являются открытыми отверстиями на защитном кожухе, поэтому при просмотре сквозь них всегда надевайте защитные очки.

Автоматический электронный тормоз

Ваша пила оборудована функцией автоматического торможения пыльного диска в течение 10 секунд после отпущения куркового выключателя. Данная функция не подлежит регулировке.

В некоторых случаях возможна задержка между отпуском выключателя и приведением тормоза в действие. В редких случаях тормозная система может вовсе не сработать, и пыльный диск будет вращаться по инерции до полной остановки.

Если произошла задержка или отказ тормоза, включите и выключите пилу 4-5 раз подряд. Если подобные нарушения происходят регулярно, отнесите инструмент в авторизованный сервисный центр STANLEY для проведения ремонта.

Прежде чем поднять пыльный диск из пластины для пропила, всегда дожидайтесь полной остановки диска. Будьте предельно

внимательны при обращении с инструментом: тормоз не является заменяющим элементом защитных кожухов диска и не является гарантом Вашей личной безопасности.

Регулировка пластины для пропила

Чтобы отрегулировать пластины для пропила, ослабьте винты, удерживающие пластины на месте. Отрегулируйте пластины для пропила таким образом, чтобы они были как можно ближе друг к другу, не мешая, при этом, движению диска.

Щётки электродвигателя (Рис. 1)



ВНИМАНИЕ: Для снижения риска получения тяжёлой травмы, перед переноской, регулировкой или снятием/установкой дополнительных принадлежностей или насадок выключайте инструмент и отсоединяйте его от электросети.

Регулярно осматривайте угольные щётки. Для этого отсоедините пилу от электропитания, снимите торцевую крышку щёткодержателя (w), удерживающую подпружиненный блок щёток. Следите, чтобы угольные щётки оставались чистыми и свободно перемещались в своих гнездах. При установке щёток на место, всегда вставляйте щётки в держатель таким же образом, как они были там установлены до извлечения.

Запустите, не используя, инструмент на 10 минут без нагрузки. Электронный тормоз будет нестабильно срабатывать до тех пор, пока угольные щётки не будут правильно установлены.

Зажимная рукоятка фиксатора штанг (Рис. 2)

Зажимная рукоятка фиксатора штанг (ddd) обеспечивает надёжную фиксацию пыльной головки, предотвращающую её скольжение по направляющим штангам. Данная функция необходима при выполнении некоторых типов резов, а также при транспортировке пилы.

Ограничитель скольжения (Рис. 21)

Ограничитель скольжения (ggg) позиционирует направляющие штанги пилы таким образом, чтобы можно было распиливать самые широкие вертикальные профили. ПРИ ИСПОЛЬЗОВАНИИ ОГРАНИЧИТЕЛЯ СКОЛЬЖЕНИЯ ВСЕГДА ЗАТЯГИВАЙТЕ РУКОЯТКУ ФИКСАТОРА ШТАНГ, ЧТОБЫ ПРЕДОТВРАТИТЬ СЛУЧАЙНОЕ СРАБАТЫВАНИЕ СИСТЕМЫ СКОЛЬЖЕНИЯ

Фиксатор пыльной головки (Рис. 6)

Для фиксации пыльной головки в нижнем положении опустите вниз и прижмите пыльную головку, нажмите на фиксатор (o) и отпустите пыльную головку. Это позволит надёжно зафиксировать пыльную головку в нижнем положении при переноске пилы с места на место. Для разблокировки нажмите на пыльную головку и вытяните фиксатор.

ЭКСПЛУАТАЦИЯ

ВНИМАНИЕ: Всегда следуйте указаниям действующих норм и правил безопасности.



ВНИМАНИЕ: Для снижения риска получения тяжелой травмы, перед регулировкой или снятием/установкой дополнительных принадлежностей или насадок выключайте инструмент и отсоединяйте его от электросети.

Убедитесь, что инструмент расположен удобно и правильно с точки зрения высоты стола и устойчивости. Место установки инструмента должно быть выбрано с учётом хорошего обзора для оператора и достаточного свободного пространства, позволяющего работать с заготовкой без каких-либо ограничений.

Для уменьшения уровня вибрации проследите, чтобы температура в рабочей зоне не была слишком низкой, инструмент и насадки были хорошо отрегулированы, а размер заготовки подходил для данного инструмента.

Подготовка к эксплуатации

- ♦ Установите пильный диск соответствующего типа. Не используйте чрезмерно изношенные пильные диски. Максимальная скорость вращения инструмента не должна превышать предельно допустимую скорость пильного диска.
- ♦ Не пытайтесь распиливать очень мелкие детали.
- ♦ Не форсируйте режим резки. Не прилагайте чрезмерные усилия.
- ♦ Перед началом резки дождитесь, пока двигатель наберёт полные обороты.
- ♦ Убедитесь, что все фиксаторы и зажимы надёжно закреплены.
- ♦ Закрепляйте обрабатываемую заготовку.
- ♦ Хотя данная электропила может использоваться для распиловки древесины и большинства цветных металлов, в данных инструкциях по эксплуатации рассматривается распиловка только древесины.
- ♦ Do not use any abrasive blades. Убедитесь, что установлена пластина для пропила. Не используйте инструмент, если щель в пластине для пропила шире 10 мм.
- ♦ Никогда не распиливайте заготовки короче 30 мм (Рисунок 22).

Включение и выключение (Рис. 23)

Чтобы включить инструмент, передвиньте рычаг блокировки пускового выключателя (dd) влево и нажмите на курковый пусковой выключатель (l). При нажатии на курковый выключатель инструмент заработает. Прежде

чем сделать рез, дождитесь, пока пильный диск не наберёт полную рабочую скорость. Чтобы выключить пилу, отпустите курковый выключатель. Прежде чем поднять пильную головку, дождитесь полной остановки пильного диска. Блокировка пускового выключателя не требуется. В курковом пусковом выключателе предусмотрено отверстие (y) для висячего замка, чтобы заблокировать пусковой выключатель.

Система светодиодной подсветки (Рис. 1, 23)

Система светодиодной подсветки оборудована кнопкой включения (bb). Система светодиодной подсветки не управляется курковым пусковым выключателем торцовочной пилы. Для работы пилой не обязательно включать подсветку.

Чтобы сделать распил вдоль карандашной линии на деревянной заготовке:

1. Включите подсветку и опустите рабочую рукоятку (a) вниз, максимально приблизив пильный диск к поверхности заготовки. На заготовке появится тень от пильного диска.
2. Выровняйте край тени диска по карандашной линии. Для полного совпадения тени диска с карандашной линией вам может понадобиться дополнительная регулировка угла скоса или наклона.

Правильное положение тела и рук

Правильное положение тела и рук во время управления торцовочной пилой делает работу более лёгкой, точной и безопасной.

- ♦ Никогда не держите руки в зоне распила.
- ♦ Не подносите руки к пильному диску ближе, чем на 150 мм.
- ♦ Во время распила прижимайте заготовку к распиловочному столу и направляющей. Держите руки в положении, как во время работы, пока выключатель не будет отпущен и пильный диск окончательно не остановится.
- ♦ Чтобы проверить ход диска, перед тем как делать окончательный разрез, всегда сначала выполняйте пробные разрезы (при выключенном инструменте).
- ♦ Не перекрещивайте руки.
- ♦ Твёрдо упирайтесь обеими ногами в пол, чтобы сохранять надлежащий баланс.
- ♦ По мере перемещения пильной головки влево или вправо, следуйте за ней, держась в стороне от пильного диска.
- ♦ Работая вдоль размеченной линии, следите за ней сквозь жалюзийные отверстия на защитном кожухе.

Резка пилой

При распиле заготовки, ширина которых превышает 82 x 110 мм (82 x 74 мм со скосом 45°), ослабьте рукоятку фиксатора штанг (ddd) и выполняйте распил движением вперёд-вниз-назад. Потяните пильную головку на себя, опустите её на заготовку и медленно отведите пильную головку от себя, завершая рез. При отведении пилы на себя не допускайте контакта пильного диска с заготовкой. Пилу может занести на Вас, что, возможно, приведёт к получению травмы или повреждению заготовки.

Если не предполагается использовать функцию скольжения пильной головки по направляющим штангам, убедитесь, что пильная головка отведена назад до упора и зажимная рукоятка фиксатора штанг затянута. Это предотвратит скольжение пильной головки по направляющим штангам при обработке заготовки.

Примечание: Хотя данная электропила может использоваться для распиловки древесины и большинства цветных металлов, в данных инструкциях по эксплуатации рассматривается распиловка только древесины. Те же самые инструкции применимы и к другим материалам. **НЕ ИСПОЛЬЗУЙТЕ ДАННУЮ ПИЛУ ДЛЯ РЕЗКИ КАМНЯ И ЧЁРНЫХ МЕТАЛЛОВ (ЧУГУНА И СТАЛИ).** Не используйте абразивные диски любого типа.

Основные типы резов

Вертикальный прямой поперечный рез (Рис. 1, 2, 24)

ПРИМЕЧАНИЕ: Для достижения желаемой режущей способности всегда используйте пильные диски диаметром 254 мм с посадочным отверстием 25,4 мм.

1. Ослабьте рукоятку регулировки угла скоса (e) и нажмите на фиксатор угла скоса (t), чтобы разблокировать консоль.
2. Установите фиксатор на позицию 0° и затяните зажимную рукоятку регулировки угла скоса (e).
3. Прижмите деревянную заготовку к направляющей (c, v).
4. Удерживая рабочую рукоятку (a) и нажмите на рычаг блокировки пускового выключателя (dd) и переведите его влево.
5. Для запуска электродвигателя нажмите на курковый пусковой выключатель (l).
6. Опустите пильную головку, чтобы пильный диск разрезал заготовку и вошёл в прорез пластмассовой пластины для пропила (s).
7. Выполнив рез, отпустите курковый пусковой выключатель, дождитесь полной

остановки пильного диска и верните пильную головку в исходное (верхнее) положение.

Вертикальный поперечный рез со скосом (Рис. 1, 2, 25)

1. Ослабьте рукоятку регулировки угла скоса (e) и нажмите на фиксатор угла скоса (t). Двигая головку влево или вправо, установите её на нужный угол.
2. Фиксатор автоматически срабатывает на углах скоса 0°, 15°, 22,5°, 31,6° и 45°. Если требуется промежуточный угол или угол 52°, крепко удерживайте пильную головку и зафиксируйте её в нужном положении, затянув зажимную рукоятку (e).
3. Каждый раз перед началом работы проверьте надёжность затяжки фиксатора.
4. Далее действуйте как при вертикальном прямом поперечном резе.



ВНИМАНИЕ: При пилении под углом края деревянной заготовки с небольшим количеством отрезаемого материала, располагайте деревянную заготовку таким образом, чтобы обрезки оказывались на стороне диска, расположенной под большим углом по отношению к направляющей; т.е. левый срез под углом - отходы справа, правый срез под углом - отходы слева.

Пиление с наклоном (Рис. 1, 2, 26)

Угол наклона может быть задан от 0° вправо до 45° влево, и резы могут выполняться при фиксации консоли между нулевым положением и максимальным положением 45° влево или вправо.

1. Ослабьте зажимную рукоятку (k) левой направляющей (v) и сдвиньте её верхнюю часть насколько возможно влево. Ослабьте зажимную рукоятку фиксатора наклона пильной головки (p) и установите нужный угол наклона.
2. Затяните с усилием зажимную рукоятку установки угла наклона (p).
3. Далее действуйте как при вертикальном прямом поперечном резе.

Установка угла наклона 0° с превышением (Рис. 27)

Ограничитель угла наклона позволяет установить на вашей пиле угол наклона справа от отметки 0°. При установке превышенного граничного значения, пила автоматически остановится на отметке 0° при переносе слева. Для временного превышения граничного значения 0° вправо, оттяните зажимную рукоятку установки угла наклона (fff). При

отпускании рукоятки превышение будет осуществлено. Зажимную рукоятку можно зафиксировать, повернув её на 90°. На отметке 0° превышение граничного значения фиксируется. Чтобы задействовать превышение граничного значения, слегка наклоните пилу влево.

Качество распила

Чистота любого среза зависит от ряда факторов, например, от материала распиливаемой заготовки. Если при фасонных и аналогичных особо точных работах требуется наиболее чистый распил, рекомендуется использовать для древесины остро заточенный пильный диск (с 60-ю зубьями с твердосплавными напайками), для алюминия - остро заточенный пильный диск (с 80-120-ю зубьями с твердосплавными напайками) и в каждом случае применять более медленную подачу при резании.



ВНИМАНИЕ: Следите, чтобы заготовка во время пиления не двигалась, надёжно фиксируйте её. Каждый раз, прежде чем поднять пильную головку, ждите полной остановки пильного диска. Если от концевой части обрабатываемой заготовки отщепляются небольшие волокна, наклейте на древесину в области распила полосу липкой ленты. Выполните пропил через ленту, затем тщательно удалите её.

Распил заготовок до одинаковой длины (Рис. 28)

Для простого распила заготовок до одинаковой длины используется ограничитель длины (ee).

Ограничитель длины вмонтирован в опору для заготовки (ii).

- Откиньте ограничитель длины (ee)
- Установите опору для заготовки (ii) на нужную длину.

Удлинение распиловочного стола (Рис. 28)

1. Всегда используйте опору для длинных заготовок.
2. Для достижения наилучших результатов используйте дополнительную опору для заготовок (ii), увеличивая ширину стола вашей пилы. Для поддержки длинных заготовок используйте любые удобные приспособления, такие как пильные козлы или подобные им устройства, препятствующие выступу длинных концов.
3. Ослабьте рукоятку (h), при необходимости вытяните опору для заготовки (ii). Затяните рукоятку (h).

Зажим заготовки (Рис. 3, 29, 30)

1. По возможности всякий раз крепите деревянную/алюминиевую заготовку зажимами к пиле.
2. Наилучшие результаты достигаются при использовании зажима (gg), предназначенного для использования с данной пилой. Всякий раз, когда возможно, прижимайте заготовку к направляющей. Вы можете закреплять заготовку с любой стороны от пильного диска; помните, зажим необходимо ставить на твёрдой плоской поверхности направляющей.
3. Установка зажима: Вставьте вертикальный зажим в отверстия (mm), как изображено на Рисунке 7, затем поверните его в правильное положение. При необходимости использования горизонтального зажима, установите горизонтальный зажим в отверстия (qq), как показано на Рисунке 30.



ВНИМАНИЕ: При пиление цветных металлов всегда используйте зажим для заготовки.



ВНИМАНИЕ: При распиле заготовок маленького размера всегда используйте оба зажима - вертикальный и горизонтальный.

Пиление алюминиевых профилей (Рис. 31)



ВНИМАНИЕ: Никогда не пытайтесь распилить толстые или круглые алюминиевые профили. Толстые алюминиевые профили могут сместиться во время пиления; круглые алюминиевые профили не могут закрепляться на данной пиле должным образом.

Чтобы предотвратить деформацию алюминия во время пиления, при закреплении алюминиевых профилей используйте проставочные блоки или обрезки заготовок, как показано на Рисунке 28. Для предотвращения скапливания алюминиевой стружки на пильном диске, при распиле алюминиевых профилей используйте смазку.

Изготовление картинных рам, ящиков для рассады и прочих четырёхсторонних конструкций (Рис. 32, 33)

Пиление плинтусов и изготовление рам

Изготовьте несколько простых изделий из отходов древесины, чтобы почувствовать уверенность при управлении пилой. Ваша пила является идеальным инструментом для выполнения угловых соединений наподобие тех, которые изображены на Рисунке 32

Изображённое соединение можно получить с помощью пиления с наклоном или пиления со скосом.

Пиление с наклоном

Установите для обеих планок наклон 45°, чтобы при их стыковке получился угол 90°. Зафиксируйте консоль в нулевой позиции. Деревянная заготовка располагается широкой стороной на плоскости стола и узкой стороной вплотную к направляющей.

Пиление со скосом

Тот же самый разрез может быть выполнен путём скашивания вправо и влево при заготовке, лежащий широкой стороной вплотную к направляющей.

Оба эскиза (Рис. 29, 30) подходят для выполнения только четырёхсторонних конструкций.

При изменении числа сторон, угол скоса и угол наклона также изменяется. В приведённой ниже таблице указаны правильные углы для разнообразных конфигураций изделий, при условии, что все стороны имеют одинаковую длину. Если необходимая Вам конфигурация не приведена в таблице, разделите 180° на количество сторон, в результате получится угол скоса и угол наклона.

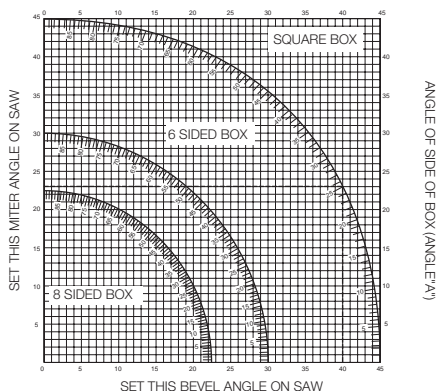
Кол-во сторон	Угол скоса или наклона
4	45°
5	36°
6	30°
7	25.7°
8	22.5°
9	20°
10	18°

Комбинированное пиление (Рис. 32, 33, 34, 35)

Комбинированное пиление - это одновременное пиление со скосом (Рис. 30) и с наклоном (Рис. 29). Этот метод пиления используется для изготовления рам или ящиков с наклонными стенками наподобие того, что изображён на Рисунке 34.



ВНИМАНИЕ: Если угол пиления постоянно изменяется, следите, чтобы зажимные ручки установки угла наклона и скоса были надёжно затянуты. Затягивайте их после каждого изменения угла наклона или угла скоса.



- ◆ Приведённая ниже диаграмма поможет выбрать правильный угол наклона и угол скоса для комбинированного пиления. Выберите необходимый для Вашего изделия угол «А» (Рис. 32) и поместите этот угол на соответствующую кривую диаграммы. Из этой точки опустите вниз перпендикулярную линию для определения правильного угла наклона и горизонтальную линию для определения правильного угла скоса.
- ◆ Установите на пиле указанные углы и выполните несколько пробных разрезов.
- ◆ Попробуйте совместить отрезанные компоненты.
- ◆ Пример: Для изготовления четырёхстороннего ящика с внешним углом 25° (угол «А», Рис. 35), используйте правую верхнюю кривую. Найдите метку 25° на кривой диаграммы. Проведите горизонтальную линию до любой из сторон для определения угла скоса, который следует установить на пиле (23°). Таким же образом проведите вертикальную линию до нижнего или верхнего края для определения угла наклона, который следует установить на пиле (40°). Всегда выполняйте пробные разрезы на нескольких обрезках дерева для проверки настроек пилы.

Пиление плинтусов

При распиле плинтусов всегда затягивайте зажимную ручку фиксатора штанг (ddd) и ограничитель скольжения (ggg).

Пиление плинтусов производите с углом наклона 45°.

- ◆ Каждый раз перед пилением делайте пробный рез на холостом ходу, не включая электропилу.
- ◆ При пилении, плинтус должен лежать на столе электропилы задней стороной.

Внутренний угол

Левая сторона

1. Прижмите верхнюю сторону обрабатываемой заготовки к направляющей.
2. Зафиксируйте обрабатываемую заготовку слева от пильного диска

Правая сторона

3. Прижмите нижнюю поверхность обрабатываемой заготовки к направляющей.
4. Зафиксируйте обрабатываемую заготовку слева от пильного диска

Внешний угол

Левая сторона

1. Прижмите нижнюю поверхность обрабатываемой заготовки к направляющей.
2. Зафиксируйте обрабатываемую заготовку справа от пильного диска

Правая сторона

1. Прижмите верхнюю сторону обрабатываемой заготовки к направляющей.
2. Зафиксируйте обрабатываемую заготовку справа от пильного диска

Пиление потолочных плитусов

Пиление потолочных плитусов производится комбинированным методом.

Для достижения высокой точности, данная пила имеет предварительно установленный угол скоса 31,6° и угол наклона 33,9°. Эти параметры предназначены для стандартных потолочных плитусов с верхним углом 52° и нижним углом 38°.

- ♦ Перед пилением заготовок потренируйтесь на древесных обрезках.
- ♦ Пиление должно производиться с левым наклоном, при этом потолочный плитус должен лежать на столе электропилы обратной стороной.

Внутренний угол

Левая сторона

1. Верхняя сторона плитуса прижата к направляющей.
2. Скос вправо.
3. Зафиксируйте обрабатываемую заготовку слева от пильного диска

Правая сторона

1. Нижняя сторона плитуса прижата к направляющей.
2. Скос влево.
3. Зафиксируйте обрабатываемую заготовку слева от пильного диска

Внешний угол

Левая сторона

1. Нижняя сторона плитуса прижата к направляющей.
2. Скос влево.
3. Зафиксируйте обрабатываемую заготовку слева от пильного диска

Правая сторона

1. Верхняя сторона плитуса прижата к направляющей.
2. Скос вправо.
3. Зафиксируйте обрабатываемую заготовку справа от пильного диска

Специальныерезы

- ♦ Всерезы выполняются на материале, закреплённом на распиловочном столе и прижатом вплотную к направляющей. Убедитесь, что заготовка надёжно закреплена.

Заготовки изогнутой формы (Рис. 36, 37)

При распиловке заготовок изогнутой формы всегда располагайте их, как показано на Рисунке 35, и никогда не кладите, как показано на Рисунке 36. Неправильное расположение заготовки может явиться причиной защемления лезвия пильного диска до завершения реза.

Распиловка пластиковых труб и прочих круглых профилей

Пластиковые трубы могут быть легко распилены вашей пилой. Распиловка труб выполняется таким же образом, что и распиловка древесины/ алюминия; во избежание перекачивания труба должна быть закреплена при помощи зажимов или надёжно прижиматься вплотную к направляющей. Выполнение данного условия чрезвычайно важно при исполнении разрезов под углом.

Распил крупных заготовок (Рис. 37)

Иногда деревянная заготовка бывает слишком большой, чтобы свободно разместиться под нижним защитным кожухом диска. Дополнительной высоты можно добиться путём смещения защитного кожуха в сторону, как показано на Рисунке 37. Используйте этот приём только в случаях острой необходимости; пила будет работать в обычном режиме и сможет выполнить более крупный разрез. НИКОГДА НЕ ПРИВЯЗЫВАЙТЕ, НЕ ЗАКЛЕИВАЙТЕ ЛИПКОЙ ЛЕНТОЙ и НЕ УДЕРЖИВАЙТЕ КАКИМ-ЛИБО ДРУГИМ СПОСОБОМ ЗАЩИТНЫЙ КОЖУХ ОТКРЫТЫМ ВО ВРЕМЯ РАБОТЫ ПИЛЫ.

Пылеудаление (Рис. 2, 3)



Установите пылесборник (ff) на отверстие пылеотвода (n).



ВНИМАНИЕ: По возможности используйте пылеудалющее устройство, разработанное в соответствии с действующими нормативами, касающимися выбросов пыли.

Подключите устройство для сбора пыли, разработанное в соответствии с действующими нормативами. Скорость воздушного потока от подключённых внешних систем должна составлять 20 м/сек. +/-2 м/сек. Эта скорость должна измеряться в точке соединения вентиляционного канала с инструментом (в точке соединения), инструмент должен быть подключён, но не должен при этом работать.

Переноска (Рис. 2, 6)

Для удобства переноски торцовочной пилы, в верхней части пыльной головки расположена ручка для переноски (m).

- ♦ Для переноски пилы переведите пыльную головку в нижнее положение и нажмите на фиксатор (o).
- ♦ При переноске пилы всегда используйте ручку для переноски (m) или выемки для захвата руками (r).

ТЕХНИЧЕСКОЕ ОБСЛУЖИВАНИЕ

Ваш электроинструмент STANLEY рассчитан на работу в течение продолжительного времени при минимальном техническом обслуживании. Срок службы и надёжность инструмента увеличивается при правильном уходе и регулярной чистке.

- ♦ Регулярно очищайте вентиляционные отверстия вашего инструмента мягкой щёткой или сухой тканью.
- ♦ Регулярно очищайте корпус двигателя влажной тканью. Не используйте абразивные чистящие средства, а также чистящие средства на основе растворителей. Данный инструмент не обслуживается пользователем. В случае возникновения проблем до истечения указанного срока, обращайтесь в авторизованный сервисный центр.



Смазка

В данном электроинструменте использованы смазанные жиром шарикоподшипники закрытого типа. Данные подшипники снабжены на производстве достаточным количеством смазки на весь срок службы инструмента.



Чистка

Перед эксплуатацией инструмента внимательно исследуйте верхний защитный кожух диска, подвижный нижний защитный кожух диска, а также трубу пылеудаления, чтобы убедиться, что они функционируют должным образом. Убедитесь, что опилки,

пыль или обрезки заготовки не блокируют перечисленные устройства.

При застревании фрагментов заготовки между пыльным диском и защитными кожухами, отключите инструмент от источника питания и следуйте инструкциям, приведённым в разделе «Установка пыльного диска». Удалите застрявшие частицы и установите на место пыльный диск.



ВНИМАНИЕ: Выдувайте грязь и пыль из корпуса сухим сжатым воздухом по мере видимого скопления грязи внутри и вокруг вентиляционных отверстий. Выполняйте данную процедуру, надев средство защиты глаз и респиратор утверждённого типа.



ВНИМАНИЕ: Никогда не используйте растворители или другие агрессивные химические средства для очистки неметаллических деталей инструмента. Эти химикаты могут ухудшить свойства материалов, применённых в данных деталях. Используйте ткань, смоченную в воде с мягким мылом. Не допускайте попадания какой-либо жидкости внутрь инструмента; ни в коем случае не погружайте какую-либо часть инструмента в жидкость.



ВНИМАНИЕ: Чтобы снизить риск получения травмы, регулярно очищайте верхнюю поверхность стола.



ВНИМАНИЕ: Чтобы снизить риск получения травмы, регулярно очищайте систему пылеудаления.

В целях обеспечения БЕЗОПАСНОСТИ и ДОЛГОВЕЧНОСТИ в использовании продукта ремонт, осмотр угольных щёток, замена деталей и прочее техническое обслуживание и регулировка должны производиться только в авторизованных сервисных центрах STANLEY и только с использованием идентичных запасных частей Stanley.

ДОПОЛНИТЕЛЬНЫЕ ПРИСПОСОБЛЕНИЯ



ВНИМАНИЕ: Поскольку принадлежности, отличные от тех, которые предлагает STANLEY, не проходили тесты на данном изделии, то использование этих принадлежностей может привести к опасной ситуации. Во избежание риска получения травмы, с данным продуктом должны использоваться только дополнительные принадлежности, рекомендованные STANLEY.

По вопросу приобретения дополнительных принадлежностей обращайтесь к вашему продавцу.

ЗАЩИТА ОКРУЖАЮЩЕЙ СРЕДЫ

Раздельный сбор. Данное изделие нельзя утилизировать вместе с обычными бытовыми отходами.

Если однажды вы захотите заменить ваше изделие STANLEY или вы больше в нём не нуждаетесь, не выбрасывайте его вместе с бытовыми отходами. Отнесите изделие в специальный приёмный пункт.



Раздельный сбор изделий с истекшим сроком службы и их упаковок позволяет пускать их в переработку и повторно использовать. Использование переработанных материалов помогает защищать окружающую среду от загрязнения и снижает расход сырьевых материалов.

ПРИМЕЧАНИЯ

Политика STANLEY нацелена на постоянное усовершенствование нашей продукции, поэтому фирма оставляет за собой право изменять технические характеристики изделий без предварительного уведомления.

Стандартное оборудование и дополнительные принадлежности могут меняться в зависимости от страны продаж.

Технические характеристики продуктов могут различаться в зависимости от страны продаж.

Полная линия продуктов присутствует на рынках не всех стран. Для получения информации касательно линии продуктов в вашей стране обратитесь в ближайший сервисный центр STANLEY.

ИНФОРМАЦИЯ ПО ТЕХНИЧЕСКОМУ ОБСЛУЖИВАНИЮ

STANLEY имеет обширную сеть принадлежащих компании и/или авторизованных сервисных центров по всей стране. В целях предоставления клиентам эффективного и надёжного технического обслуживания электроинструментов во всех сервисных центрах STANLEY работает обученный персонал. Если вы нуждаетесь в технической консультации, ремонте или покупке оригинальных запасных частей, обратитесь в ближайший к вам сервисный центр STANLEY.

ТЕХНИЧЕСКИЕ ХАРАКТЕРИСТИКИ

ТОРЦОВОЧНАЯ ПИЛА		SM18
Напряжение	V <small>перем. тока</small>	220-240
Частота	Гц	50-60
Потребляемая мощность	Вт	1800
Диаметр пильного диска	мм	254
Толщина пильного диска	мм	2.8
Диаметр посадочного отверстия	мм	30
Макс. скорость диска	об/мин.	4800
Угол скоса (макс.)	влево	47°
	вправо	52°
Угол наклона (макс.)	влево	45°
	вправо	45°
0°скос,0°наклон	92mm x 285mm / 80mm x 310mm	
45°скос,0°наклон	92mm x 190mm / 80mm x 210mm	
0°скос,45°наклон слева	47mm x 285mm / 45mm x 310mm	
45°скос,45°наклон слева	47mm x 190mm / 45mm x 210mm	
0°скос,45°наклон право	35mm x 285mm / 25mm x 310mm	
45°скос,45°наклон право	35mm x 190mm / 25mm x 210mm	
Время автоматического торможения ножа	сек	<10.0
Вес	кг	18.6



Приложение к руководству по эксплуатации электрооборудования для определения месяца производства по номеру текущей календарной недели года

Электрооборудование торговых марок "Dewalt", "Stanley", "Stanley FatMAX", "BLACK+DECKER".

Директивы 2014/30/EU ЕВРОПЕЙСКОГО ПАРЛАМЕНТА И СОВЕТА от 26 февраля 2014 г. "О гармонизации законодательств Государств-членов ЕС в области электромагнитной совместимости", 2006/42/ЕС ЕВРОПЕЙСКОГО ПАРЛАМЕНТА И СОВЕТА от 17 мая 2006 г. "О машинах и оборудовании"; 2014/35/EU ЕВРОПЕЙСКОГО ПАРЛАМЕНТА И СОВЕТА от 26 февраля 2014 г. "О гармонизации законодательств государств-членов в области размещения на рынке электрооборудования, предназначенного для использования в определенных пределах напряжения". Серийный выпуск.

ТОВАР СЕРТИФИЦИРОВАН

Орган по сертификации "РОСТЕСТ- Москва", Адрес: 119049, г. Москва, улица Житная, д. 14, стр. 1; 117418, Москва, Нахимовский просп., 31 (фактический), Телефон: (499) 1292311, (495) 6682893, Факс: (495) 6682893, E-mail: office@rostest.ru

Изготовитель: Изготовитель: Блэк энд Деккер Холдингс ГмбХ, Германия, 65510, Идштайн, ул. Блэк энд Деккер, 40, тел. +496126212790.

Уполномоченное изготовителем юрлицо:

ООО "Стэнли Блэк энд Деккер", 117485, город Москва, улица Обручева, дом 30/1, строение 2
Телефон: + 7 (495) 258-3981, факс: + 7 (495) 258-3984, E-mail: inb@dewalt.com

Сведения о импортере указаны в сопроводительной документации и/или на упаковке

Хранение.

Необходимо хранить в сухом месте, вдали от источников повышенных температур и воздействия солнечных лучей. При хранении необходимо избегать резкого перепада температур. Хранение без упаковки не допускается

Срок службы.

Срок службы изделия составляет 5 лет. Не рекомендуется к эксплуатации по истечении 5 лет хранения с даты изготовления без предварительной проверки.

Дата изготовления (код даты) указана на корпусе инструмента.

Код даты, который также включает год изготовления, отштампован на поверхности корпуса изделия.

Пример:

2014 46 XX, где 2014 – год изготовления, 46-неделя изготовления.

Определить месяц изготовления по указанной неделе изготовления можно согласно приведенной ниже таблице.

Транспортировка.

Категорически не допускается падение и любые механические воздействия на упаковку при транспортировке.

При разгрузке/погрузке не допускается использование любого вида техники, работающей по принципу зажима упаковки.

Перечень критических отказов, возможные ошибочные действия персонала.

Не допускается эксплуатация изделия:

- При появлении дыма из корпуса изделия
- При поврежденном и/или оголенном сетевом кабеле
- при повреждении корпуса изделия, защитного кожуха, рукоятки
- при попадании жидкости в корпус
- при возникновении сильной вибрации
- при возникновении сильного искрения внутри корпуса

Критерии предельных состояний.

Критерии предельных состояний.

- При поврежденном и/или оголенном сетевом кабеле
- при повреждении корпуса изделия

Месяц	Январь	Февраль	Март	Апрель	Май	Июнь	Июль	Август	Сентябрь	Октябрь	Ноябрь	Декабрь	Год производства
Неделя	01	05	09	14	18	23	27	31	36	40	44	49	2018
	02	06	10	15	19	24	28	32	37	41	45	50	
	03	07	11	16	20	25	29	33	38	42	46	51	
	04	08	12	17	21	26	30	34	39	43	47	52	
			13		22			35			48		
Неделя	01	06	10	14	18	23	27	31	36	40	45	49	2019
	02	07	11	15	19	24	28	32	37	41	46	50	
	03	08	12	16	20	25	29	33	38	42	47	51	
	04	09	13	17	21	26	30	34	39	43	48	52	
	05				22			35		44			
Неделя	01	06	10	14	19	23	27	32	36	40	45	49	2020
	02	07	11	15	20	24	28	33	37	41	46	50	
	03	08	12	16	21	25	29	34	38	42	47	51	
	04	09	13	17	22	26	30	35	39	43	48	52	
	05			18			31		44				
Неделя	02	06	10	14	19	23	27	32	36	41	45	49	2021
	03	07	11	15	20	24	28	33	37	42	46	50	
	04	08	12	16	21	25	29	34	38	43	47	51	
	05	09	13	17	22	26	30	35	39	44	48	52	
				18			31		40		1		
Неделя	02	06	10	15	19	23	28	32	36	41	45	49	2022
	03	07	11	16	20	24	29	33	37	42	46	51	
	04	08	12	17	21	25	30	34	38	43	47	51	
	05	09	13	18	22	26	31	35	39	44	48	52	
			14		27			40			1		

ПРИЗНАЧЕННЯ

Ваша торцювальна пила SM18 виробництва STANLEY призначена для різання дерев'яних та алюмінієвих заготовок, виробів з деревини та алюмінію, а також пластику. Вона легко, точно та безпечно виконує операції поперечного розпилювання та різання навскіс під горизонтальним і вертикальним кутом. Цей інструмент призначений для професійного використання.

ІНСТРУКЦІЇ З ТЕХНІКИ БЕЗПЕКИ

Наведені нижче визначення описують рівень небезпеки, якому відповідає кожне сигнальне слово. Необхідно ретельно ознайомитись із вмістом цього посібника та звернути увагу на наступні знаки.



НЕБЕЗПЕЧНО: Вказує на неминуче небезпечну ситуацію, яка, якщо її не усунути, **обов'язково призведе до серйозних травм або смерті.**



ОБЕРЕЖНО: Вказує на потенційно небезпечну ситуацію, яка, якщо її не усунути, **може призвести до серйозних травм або смерті.**



УВАГА: Вказує на потенційно небезпечну ситуацію, яка, якщо її не усунути, **може призвести до травм легкого та середнього ступеню тяжкості.**

ПРИМІТКА: Вказує на дію, що не пов'язана з особистою безпекою, але яка, якщо її не усунути, може привести до пошкодження майна.



Вказує на небезпеку ураження електричним струмом.



Вказує на небезпеку виникнення пожежі.



Обережно: Щоб знизити ризик травмування, необхідно ретельно ознайомитись із вмістом цього посібника.

Загальні правила техніки безпеки під час роботи з електричним інструментом



ОБЕРЕЖНО! Необхідно ретельно ознайомитись із усіма попереджувальними знаками, вказівками щодо безпечної роботи, графічними матеріалами та технічними описами, що додаються до цього електричного інструмента. Недотримання вказівок щодо безпечної роботи може призвести до ураження електричним струмом, пожежі та/або серйозних травм персоналу.

Потрібно зберігати всі попереджувальні написи та вказівки щодо безпечної роботи для використання в майбутньому

Термін «електричний інструмент», що використовується в попереджувальних написах та вказівках щодо техніки безпеки, стосується електричного інструмента, що працює від мережі

(зі шнуром електричного живлення) або від акумуляторної батареї (без шнура живлення).

1. Безпека на робочому місці

- Робоче місце має бути прибрано та добре освітлене.** Безлад або погане освітлення на робочому місці може призвести до нещасного випадку.
- Не працюйте з електроінструментом в місці зберігання вибухонебезпечних матеріалів, наприклад, у присутності легкозаймистих рідин, газів або пилу.** Іскри, що виникають під час роботи електричного інструмента, можуть призвести до займання пилу чи випарів.
- Забороняється перебування дітей та сторонніх осіб поблизу електричного інструменту під час роботи.** Відволікання може призвести до втрати контролю за роботою інструмента.

2. Електрична безпека

- Вилка шнура живлення інструмента має відповідати мережевій розетці.** Забороняється будь-яким чином змінювати конструкцію вилок шнура живлення. Забороняється використання будь-яких вилок-перехідників із заземлюваними (занулюваними) електричними інструментами. Зміна конструкції вилок шнурів живлення та невідповідність електричних вилок і розеток збільшує ризик ураження електричним струмом.
- Не торкайтесь поверхонь заземлених чи занулених предметів, наприклад, труб, радіаторів, електроплит або холодильників.** Заземлення чи занулення тіла підвищує ризик ураження електричним струмом.
- Необхідно берегти електричні інструменти від дощу та впливу підвищеної вологості.** Попадання вологи всередину електричного інструмента підвищує ризик ураження електричним струмом.
- Поводитись зі шнуром живлення необхідно уважно і обережно.** Забороняється підіймати, тягнути електричний інструмент та виймати його вилку з розетки за шнур. Слід берегти електричний шнур від впливу джерел тепла, оливи, гострих країв та рухомих деталей. Пошкодження і заплутування шнурів живлення підвищує ризик ураження електричним струмом.
- Під час роботи з електричним інструментом за межами приміщень необхідно використовувати відповідний подовжувач.** Використання подовжувача, призначеного для роботи поза приміщеннями, знижує ризик ураження електричним струмом.
- Якщо електричним інструментом необхідно користуватись у вологому місці, слід використовувати пристрій захисного вимкнення (ПЗВ) електричної мережі.** Використання ПЗВ знижує ризик ураження електричним струмом.

3. Індивідуальна техніка безпеки

- a. Під час роботи з електричним інструментом необхідно бути обачним, слідкувати за роботою, що виконується, та керуватися здоровим глуздом. Забороняється працювати з електричним інструментом у стані втоми чи під впливом наркотиків, алкоголю і лікарських препаратів. Миттєве ослаблення уваги може призвести до серйозної травми.
- b. **Необхідно використовувати засоби індивідуального захисту. Необхідно завжди використовувати засоби захисту очей.** Використання у відповідних умовах засобів індивідуального захисту, наприклад пилозахисної маски, протиковзкого захисного взуття, захисної каски та засобів захисту органів слуху, зменшує ризик отримання травми.
- c. **Потрібно уникати ненавмисного вимикання інструмента. Перш ніж підключити джерело живлення та/або акумулятор, підняти або перенести інструмент, необхідно переконатися, що його вимикач знаходиться у вимкненому положенні.** Якщо тримати палець на вимикачі під час перенесення інструмента чи під'єднання увімкненого інструмента до мережі, це підвищує ризик нещасного випадку.
- d. **Перш ніж увімкнути електричний інструмент, необхідно обов'язково зняти з нього розвідний чи шестигранний ключ.** Якщо на рухомій деталі інструмента був залишений ключ, це може призвести до травми.
- e. **Забороняється намагатися дотягнутися до важкодоступних місць.** Під час роботи необхідно міцно триматися на ногах і зберігати рівновагу. Це дозволяє краще контролювати електричний інструмент у непередбачуваних ситуаціях.
- f. **Необхідно використовувати захисний одяг. Забороняється одягати вільний одяг та прикраси.** Волосся та одяг мають знаходитися на безпечній відстані від рухомих деталей інструменту. Вільний одяг, прикраси чи довге волосся можуть бути захоплені рухомими елементами.
- g. **Якщо встановлені пристрої під'єднання засобів пиловловлювання та пилозбірників, необхідно перевіряти, щоб вони були під'єднані та використовувалися належним чином.** Використання засобів пиловловлювання знижує рівень ризику, пов'язаного з наявністю пилу в повітрі.
- h. **Досвід роботи з електричним інструментом та часте його використання не повинні ставати причиною легковажного ставлення до правил безпечної експлуатації чи їх ігнорування.** Легковажне ставлення навіть на частку секунди може призвести до серйозної травми.
4. **Використання електричного інструменту та догляд за ним**
- a. Під час роботи з електричним інструментом

- забороняється прикладати надмірні зусилля. Дозволяється використовувати електричний інструмент тільки за призначенням. Правильно підібраний електричний інструмент дозволить виконати роботу краще і безпечніше на швидкості, на яку він розрахований.
- b. **Експлуатацію інструменту із несправним вимикачем заборонено.** Електричний інструмент, роботою якого не можна керувати за допомогою вимикача, є небезпечним та підлягає обов'язковому ремонту.
- c. **Перш ніж регулювати електричний інструмент, замінювати на ньому приладдя чи класти на зберігання, необхідно витягти вилку живлення з розетки та/або від'єднати від нього акумулятор.** Такий запобіжний захід безпеки знижує ризик ненавмисного увімкнення інструменту.
- d. **Зберігати електричний інструмент, що наразі не використовується, необхідно в недоступному для дітей місці, а його використання особами, які не знайомі з ним або з цією інструкцією, заборонено.** Електричний інструмент є небезпечним в руках ненавченої людини.
- e. **Технічне обслуговування електричного інструмента та приладдя.** Слід перевіряти наявність зміщення та щільність кріплення рухомих деталей, пошкодження деталей та будь-які інші фактори, які можуть негативно позначитися на роботі електричного інструменту. У разі виявлення пошкодження електричний інструмент необхідно відремонтувати, перш ніж його використовувати. Багато нещасних випадків трапляється через неналежне технічне обслуговування електричних інструментів.
- f. **Різальні інструменти мають бути загостреними і чистими.** Різальний інструмент з гострими ріжучими кромками, який підтримується у належному робочому стані, менше застрягає, а керувати ним легше.
- g. **Використовуйте електричний інструмент, приладдя, вставні різці тощо відповідно до цієї інструкції, враховуючи умови експлуатації та роботу, яку потрібно виконати.** Використання електричного інструмента не за призначенням може призвести до виникнення небезпечної ситуації.
- h. **Необхідно забезпечувати відсутність бруду, вологи та залишків оливи та мастила на рукоятках та поверхнях утримання інструменту.** Слизькі рукоятки та поверхні утримання є джерелами небезпеки під час роботи з електричним інструментом та не дозволяють надійно керувати інструментом в нештатних ситуаціях.

5. Обслуговування

- a. Обслуговувати електричний інструмент повинен тільки кваліфікований персонал із використанням виключно оригінальних

запасних частин. Це дозволить підтримувати безпечний стан електричного інструмента.

ВКАЗІВКИ З ТЕХНІКИ БЕЗПЕКИ ПРИ ЕКСПЛУАТАЦІЇ ТОРЦЮВАЛЬНИХ ПИЛ

- ♦ Торцювальні пили призначені для різання деревини або виробів, подібних до деревини, їх не можна використовувати з абразивними відрізними дисками для різання чорних металів, з яких виготовлені прутки арматури, штоки, шпильки тощо. Абразивний пила спричиняє заклинювання рухомих частин, таких як нижній захисний кожух. Іскри від абразивного різання можуть припалити нижній захисний кожух, проріз на вставці столу та інші пластикові деталі.
- ♦ У разі можливості використовуйте струбцини для фіксації робочої заготовки. При утримуванні заготовки вручну завжди слід тримати руку на відстані щонайменше 100 мм від будь-якої сторони пильного диска. Не використовуйте цю пилу для відрізання шматків, які є занадто малими, щоб їх можна було надійно зафіксувати струбцинами або утримувати рукою. Якщо ваша рука розміщена занадто близько до пильного диска, існує підвищений ризик травмування від контакту із диском.
- ♦ Заготовка повинна бути нерухомою, тому її потрібно фіксувати струбцинами або надійно притискати рукою в кут між паралельним упором та столом. Забороняється подавати заготовку на пильний диск або різати «від руки» будь-яким іншим способом. Незафіксовані або рухомі заготовки можуть відлетіти від інструменту на високій швидкості, що призведе до травм.
- ♦ Просувайте пилу крізь заготовку. Не тягніть пилу через заготовку. Щоб зробити розріз, підніміть різальний блок і проведіть його без різання понад заготовкою, потім запустіть двигун, натисніть різальний блок вниз і штовхайте пилу крізь заготовку. Якщо здійснювати різання, тягнучи пилу на себе, то це з високою ймовірністю призведе до того, що пильний диск вийде на поверхню заготовки, зірветься та вилетить в бік оператора.
- ♦ Ніколи не перетинайте рукою намічену лінію різання попереду або позаду пильного диска. Тримати заготовку способом «хрест-навхрест» (тобто утримувати її праворуч від полотна пильного диска лівою рукою або навпаки) дуже небезпечно.
- ♦ Якщо одна з рук знаходиться ближче 100 мм від пильного диска з будь-якого боку, то під час обертання диска не простягайте руки за межі паралельного упору, аби видалити відходи деревини чи з будь-якою іншою метою. Близькість диска, що обертається, до вашої руки може бути оманливою, що може призвести до серйозних травм.
- ♦ Перед різанням огляньте заготовку. Якщо заготовка зігнута або викривлена,
- затискайте її, попередньо повернувши зовнішньою вигнутою стороною в бік паралельного упору. Завжди перевіряйте, щоб між заготовкою, упором та столом по лінії відпилювання не було зазору. Зігнуті або деформовані заготовки можуть перекручуватися або зміщуватися, що може призвести до заклинювання пильного диска під час різання. В оброблюваній заготовці не повинно бути цвяхів або інших сторонніх предметів.
- ♦ Не використовуйте пилу, доки на столі не залишиться жодних інструментів, відходів деревини тощо, за винятком оброблюваної заготовки. Невеликі уламки, відірвані шматки деревини або інші предмети, що торкаються обертального диска, можуть відлетіти від інструмента на високій швидкості.
- ♦ Розпилюйте тільки одну заготовку за один раз. Декілька складених в штабель заготовок неможливо надійно закріпити або затиснути, внаслідок чого вони можуть заклинити пильний диск або зміститися під час різання.
- ♦ Перед експлуатацією переконайтеся в тому, що торцева пила закріплена або розміщена на рівній, твердій та стійкій робочій поверхні. Робота на рівній та міцній поверхні знижує ризик дестабілізації торцювальної пили.
- ♦ Плануйте свою роботу. Кожного разу, коли ви змінюєте кут горизонтального розпилю або кут вертикального скоосу, перевіряйте, щоб регульований паралельний упор був встановлений належним чином і міг надійно підтримувати заготовку, не заважаючи роботі пильного диска або системи захисту. Не переводячи інструмент в режим «УВІМК.» і не розміщаючи на столі оброблювану заготовку, проведіть пильний диск через всю заплановану лінію різання, щоб переконатися, що на цьому шляху немає жодних перешкод, а ризик прорізання паралельного упору відсутній.
- ♦ Забезпечте належну опору, наприклад, встановіть розширення столу, пильні козли тощо для підтримки заготовки, якщо вона ширше або довше, ніж стільниця. Якщо не закріпити оброблювані заготовки, які довше або ширше, ніж опорний стіл пили, то вони можуть перехилитися. Якщо відрізана ділянка або оброблювана заготовка перехилиться, то вони можуть підняти нижній захисний кожух, або їх може виштовхнути назовні відрізним диском, що обертається.
- ♦ Забороняється, щоб функції розширення столу або додаткової опори виконувала інша людина. Нестійка опора заготовки може призвести до заклинювання диска або зміщення оброблюваної заготовки під час різання, внаслідок чого вас і вашого помічника може притягти до пильного диска, що обертається.
- ♦ Відрізню частину заготовки не можна блокувати або будь-яким чином притискати

- ♦ **до пильного диска, що обертається.** Якщо відрізну частину заготовки затиснути, наприклад, використовуючи обмежувачі довжини, то вона може заклинити відрізний диск, і її може із силою викинути назовні.
- ♦ **Завжди використовуйте лещата або струбцини, призначені для відповідної фіксації круглих заготовок, таких як стрижні або трубки.** Стрижні зазвичай обертаються під час різання, внаслідок чого трапляється «закусювання» відрізного диска, що може призвести до затягування вашої руки та заготовки під диск.
- ♦ **Дозвольте пильному диску розігнатися до повної швидкості, перш ніж він торкнеться заготовки.** Це зменшить ризик відкидання заготовки.
- ♦ **Якщо заготовка або пильний диск заклинили, вимкніть торцювальну пилу.** Дочекайтеся зупинки всіх рухомих компонентів, від'єднайте штепсель від джерела живлення та/або вийміть акумуляторну батарею. Потім вивільніть застряглий матеріал. Якщо продовжити розпилювання із застряглою заготовкою, то це може привести до втрати контролю або пошкодження торцювальної пили.
- ♦ **Після завершення різання відпустіть курковий вимикач, утримуючи різальний блок пили, і дочекайтеся зупинки диска,** перш ніж знімати відрізаний шматок. Небезпечно торкатися рукою диска, що зупиняється за інерцією.
- ♦ **Міцно тримайте рукоятку, якщо ви робите неповний проріз, або якщо ви відпускаєте вимикач до того, як різальний блок пили повністю опуститься.** Гальмівна дія пили може спричинити різке опускання різального блока пили, що може призвести до травми.

ДОДАТКОВІ ПРАВИЛА БЕЗПЕКИ ПРИ ЕКСПЛУАТАЦІЇ ТОРЦЮВАЛЬНИХ ПИЛ

- ♦ Інструмент оснащений шнуром живлення спеціальної конфігурації, який може бути замінений тільки виробником або уповноваженим ним сервісним агентом.
- ♦ Не використовуйте пилу для різання матеріалів, які не рекомендовані виробником.
- ♦ Не використовуйте інструмент без встановлених захисних кожухів, а також якщо захисні кожухи не працюють або не обслуговуються належним чином.
- ♦ При виконанні вертикальних косих зрізів переконайтеся в тому, що важіль надійно зафіксований.
- ♦ Слідуйте за тим, щоб поверхня навколо інструмента залишалася чистою і не містила незакріплені матеріали, наприклад, сколів і обрізків.
- ♦ Використовуйте правильно заточені пильні диски. Не перевищуйте максимальну швидкість, вказану на позначці, яка нанесена на пильний диск.
- ♦ Перед початком будь-якої операції переконайтеся, що всі затискні ручки та стопорні рукоятки затягнуті належним чином.
- ♦ Ніколи не наближайте руки до пильного диска, коли пила підключена до джерела електроживлення.
- ♦ Ніколи не намагайтеся швидко зупинити машину, що рухається, затискаючи інструмент або іншим способом гальмуючи пильний диск; це може призвести до нещасних випадків.
- ♦ Перед використанням будь-якого приладдя ознайомтеся з інструкцією по експлуатації. Неправильне використання приладдя може призвести до його пошкодження.
- ♦ При роботі з пильним диском використовуйте тримач або надягайте рукавички.
- ♦ Перед використанням переконайтеся, що пильний диск встановлений правильно.
- ♦ Переконайтеся, що диск обертається в правильному напрямку.
- ♦ Будьте обережні при прорізуванні пазів.
- ♦ Не використовуйте пильні диски, діаметр яких відрізняється від рекомендованого діаметру. Номінальні характеристики пильного диска дивіться в розділі технічних даних. Використовуйте тільки ті пильні диски, які вказані в цій інструкції та які відповідають EN 847-1.
- ♦ Розгляньте можливість застосування спеціально розроблених безшумних пильних дисків.
- ♦ Не використовуйте диски зі швидкоріжучої сталі HSS.
- ♦ Не використовуйте тріснуті або пошкоджені пильні диски.
- ♦ Не використовуйте абразивні або алмазні диски.
- ♦ Ніколи не використовуйте свою пилу без встановленої вставки стола з прорізом.
- ♦ Підніміть пильний диск з прорізу в заготовці до того, як відпустити вимикач.
- ♦ Не притискайте нічого до вентилятора, щоб підтримати вал двигуна.
- ♦ Захисний кожух пильного диска вашої торцювальної пили автоматично піднімається при опусканні рукоятки; він опускається поверх диска при натисканні на важіль розблокування різального блока (сс).
- ♦ Ніколи не піднімайте захисний щиток пильного диска вручну, якщо пила в цей момент не вимкнена. Захисний кожух можна підняти рукою під час встановлення або зняття пильних дисків, а також під час огляду пили.
- ♦ Час від часу перевіряйте, щоб прорізи на двигуні для проходження повітря не забивались стружкою.
- ♦ При виявленні слідів зносу замінійте вставку столу з прорізом. Див. доданий перелік запасних частин.

- ♦ Перед проведенням будь-яких робіт з обслуговування або заміною диску від'єднуйте інструмент від мережі електричного живлення.
- ♦ Ніколи не виконуйте жодних робіт з обслуговування, коли інструмент увімкнений, а різальний блок ще не знаходиться в неробочому положенні.
- ♦ За можливості завжди встановлюйте інструмент на верстат.
- ♦ Передня секція захисного кожуха має щиток з прорізами жалюзійного типу, щоб забезпечити кращий огляд. Хоча жалюзійні прорізи у захисному кожуху значно зменшують кількість сміття, що розлітається навколо пили, під час огляду захисного кожуха все одно завжди слід надягати захисні окуляри.
- ♦ При пилянні деревини під'єднуйте пилу до пристрою для збирання пилу. Завжди зважайте на фактори, які впливають на кількість пилу, наприклад:
 - тип матеріалу, що оброблюється (ДСП виділяє більше пилу, ніж цільна деревина);
 - гострота пильного диска;
 - правильне регулювання пильного диску,
 - пиловідсмоктувач зі швидкістю повітряного потоку не менше 20 м/с.

Переконайтеся в тому, що місцевий механізм відсмоктування пилу, а також витяжки, перегородки і трубки відрегульовані правильно.

- ♦ Будь ласка, зверніть увагу на наступні фактори, що впливають на рівень шуму:
 - використання пильних дисків, призначених для зниження шуму;
 - використання тільки добре заточених пильних дисків;
- ♦ Слід регулярно проводити технічне обслуговування інструмента;
- ♦ Про несправності інструмента, включаючи несправності захисних кожухів або пильних дисків, слід повідомляти одразу при їх виявленні;
- ♦ Потрібно забезпечити належне загальне або місцеве освітлення;
- ♦ Переконайтеся в тому, що оператор пройшов відповідне навчання щодо використання, регулювання та правил експлуатації інструмента;
- ♦ Переконайтеся в тому, що всі проставки і кільця шпинделя підходять для цілей, зазначених у цьому посібнику.
- ♦ Не намагайтеся видалити будь-які обрізки або інші частини заготовки із зони різання в той час, коли інструмент працює, а різальний блок не знаходиться в неробочому положенні
- ♦ Ніколи не різте заготовки коротше 30 мм (Рис. 34).
- ♦ Без додаткових опор інструмент розрахований на такий максимальний розмір заготовок:

- Висота 75 мм, ширина 140 мм, довжина 460 мм.
- Довші заготовки повинні підтримуватися відповідним додатковим столом (робоча опора). Завжди надійно закріплюйте заготовку.
- ♦ У разі аварії або несправності інструмента негайно вимкніть інструмент та від'єднайте його від джерела живлення.
- ♦ Повідомте про несправності і позначте інструмент належним чином, щоб інші люди випадково ним не скористались.
- ♦ Якщо пильний диск виявився заблокованим через надмірне зусилля подачі під час різання, вимкніть інструмент і від'єднайте його від джерела живлення. Зніміть заготовку і переконайтеся, що пильний диск обертається вільно. Увімкніть інструмент і почніть нову операцію різання, зменшивши при цьому зусилля подачі.
- ♦ Ніколи не різте легкі сплави, особливо магній.
- ♦ Якщо це можливо, закріпіть інструмент на верстаті за допомогою болтів.

ЗАЛИШКОВИЙ РИЗИК

Робота з пилами несе в собі наступні ризики:

- травми, отримані при контакті з деталями, що обертаються

Навіть за умов дотримання всіх відповідних правил техніки безпеки та використання захисних пристроїв неможливо повністю усунути залишковий ризик. Серед таких небезпек:

- погіршення слуху;
- небезпека нещасного випадку через незакриті частини обертового пильного диска;
- ризик травмування при заміні пильного диска;
- ризик защемлення пальців при розкритті захисних кожухів;
- шкода для здоров'я, викликана вдиханням пилу, який з'являється під час роботи з деревом, особливо з дубом, буком або ДВП.

Наступні фактори підвищують ризик виникнення проблем з дихальною системою:

- Під час пиляння дерева не використовується пиловідсмоктувач.
- Недостатня ефективність відведення пилу, спричинена неочищеними випускними фільтрами.

ЕЛЕКТРИЧНА БЕЗПЕКА

Цей інструмент живиться тільки однією напругою. Мережева напруга має відповідати значенню, зазначеному в таблиці з паспортними даними.



Інструмент Stanley обладнаний подвійною ізоляцією, тому заземлення не потрібне.

У разі виходу з ладу мережевого шнура необхідно надіслати його в сервісний центр STANLEY для заміни на спеціальний кабель.

ВИКОРИСТАННЯ ПОДОВЖУВАЧА

Якщо для роботи потрібний подовжувач, завжди використовуйте тільки затверджений до застосування 3-жильний подовжувач, який відповідає споживаній потужності цього інструменту (дивіться **Технічні дані**). Мінімальний розмір перерізу дроту — 1,5 мм², максимальна довжина — 30 м. У разі використання подовжувача з барабаном подовжувач необхідно розмотувати повністю.

Площа перерізу кабелю, мм ²	Номінальний струм кабелю, А
0.75	6
1.00	10
1.50	15
2.50	20
4.00	25

Довжина кабелю, м						
	7.5	15	25	30	45	60

Напруга	Ампер	Номінальний струм кабелю (ампер)					
		6	6	6	6	6	10
110-127	0 - 2.0	6	6	6	6	6	10
	2.1 - 3.4	6	6	6	6	15	15
	3.5 - 5.0	6	6	10	15	20	20
	5.1 - 7.0	10	10	15	20	20	25
	7.1 - 12.0	15	15	20	25	25	-
	12.1 - 20.0	20	20	25	-	-	-
230	0 - 2.0	6	6	6	6	6	6
	2.1 - 3.4	6	6	6	6	6	6
	3.5 - 5.0	6	6	6	6	10	15
	5.1 - 7.0	10	10	10	10	15	15
	7.1 - 12.0	15	15	15	15	20	20
	12.1 - 20.0	20	20	20	20	25	-

НАКЛЕЙКИ НА ІНСТРУМЕНТІ

Наклейка на вашому інструменті може містити наступні символи:

	прочитати інструкцію з експлуатації перед його використанням. ОБЕРЕЖНО! Щоб знизити ризик травмування, необхідно уважно		
	Використовуйте відкриті і закриті захисні окуляри.		
	Необхідно застосовувати засоби захисту органів слуху.		
	Одягайте маску для захисту від пилу.		
V	Вольт		Постійний струм
A	Ампер	n ₀	Швидкість холостого ходу
Гц	Герц		Конструкція II класу
Вт	Ват		Клема заземлення
хв	хвилини		Попереджувальний знак
	Змінний струм	/хв.	Кількість обертів або зворотно-поступальних рухів за хвилину

Положення коду з датою

На корпусі надрукований код з датою, який також містить рік виготовлення.

Приклад:

2017 XX JN
Рік виготовлення

ДО КОМПЛЕКТУ ПОСТАВКИ ВХОДЯТЬ

- 1 Торцювальна пила
- 1 Ключ для пильного диску, зберігається в кишені для ключа
- 1 Пильний диск
- 1 Мішок для збирання пилу
- 1 Вертикальна струбцина
- 1 Задня опора
- 1 Посібник з експлуатації
- ♦ Переверіте інструмент, деталі та приладдя на предмет пошкоджень, що могли виникнути внаслідок транспортування.
- ♦ Перш ніж починати роботу з інструментом, слід уважно прочитати і вивчити вказівки, які містяться у даному посібнику.

Опис (Рис. 1, 2, 3, 5, 6, 12, 23, 27, 28)



ОБЕРЕЖНО: Заборонено змінювати конструкцію інструмента або його частин. Це може призвести до травмування.

- a. Рукоятка управління
- b. Нижній захисний щиток
- c. Паралельний упор з правого боку
- d. Стіл
- e. Запірна рукоятка механізму регулювання горизонтального кута
- f. Шкала регулювання горизонтального кута
- g. Станина
- h. Рукоятка для подовження
- i. Шестигранний ключ
- j. Отвір для встановлення на верстаті
- k. Рукоятка затискача паралельного упора
- l. Курковий вимикач
- m. Ручка для перенесення
- n. Трубка для відведення пилу
- o. Стопорний штифт
- p. Рукоятка затискача механізму вертикального косого зрізу
- q. Шкала різання під вертикальним косим кутом
- r. Виймка для долоні
- s. Вставка стола з прорізом
- t. Фіксатор механізму регулювання горизонтального кута
- u. Дата
- v. Паралельний упор з лівого боку
- w. Торцева кришка
- x. Кнопка фіксації шпинделя
- y. Отвір для навісного замка
- z. Обмежувач кута нахилу різального блоку
- aa. Обмежувач положення механізму вертикального косого зрізу
- bb. Світлодіодний індикатор перемикача
- cc. Обмежувач регулювання положення по висоті
- dd. Блокувальний важіль
- ee. обмежувачі довжини
- ff. Картридж для збирання пилу
- gg. Вертикальна струбцина
- hh. Тимчасовий транспортувальний стопорний болт торцювальної пили
- ii. Робоча опорна скоба-подовжувач
- jj. Стопорний гвинт паралельного упора
- kk. Задня опора
- aaa. Задня ручка
- bbb. Опора важеля кута горизонтального розпилу
- ccc. Затискач рукоятки робочої опорної скоби
- ddd. Запірна рукоятка напрямної рейки

- fff. Запірна рукоятка положення скосу
- ggg. Пересувний упор

ЗБИРАННЯ ТА НАЛАШТУВАННЯ



ОБЕРЕЖНО: Для зменшення ризику травмування вимикайте інструмент і від'єднуйте його від мережі електроживлення перед встановленням і зміненням приладдя, перед налаштуванням, зміною регулювань і ремонтом. Переконайтеся, що курковий вимикач у положенні ВИКЛ. Раптове вмикання може призвести до травмування.

Розпаковування (Рис. 2, 4, 5, 6)

- ♦ Обережно дістаньте пилу з пакувального матеріалу, використовуючи ручку для перенесення (m) та задню ручку (aaa).
- ♦ Скористайтесь ключем (i) з комплекту поставки, щоб встановити задню опору (mm) на задню частину станини (g).
- ♦ Використовуйте ключ (i) з комплекту поставки, щоб зняти тимчасовий транспортувальний запірний болт пили (hh).
- ♦ Встановлення запірної рукоятки механізму регулювання горизонтального кута (e) на важіль торцювальної пили.
- ♦ Натисніть вниз рукоятку управління (a) та витягніть запірний штифт (o), як зображено на рисунку.
- ♦ Акуратно відпустіть та дозвольте важелю піднятися на повну висоту.

Встановлення на верстат (Рис. 7)

- ♦ На всіх чотирьох лапах є отвори (j), які спрощують встановлення на верстат. Завжди надійно встановлюйте свою пилу, щоб не допустити її випадкового руху. Щоб підвищити мобільність, інструмент можна встановити на шматок фанери товщиною 15 мм або тонше, який потім можна закріпити струбциною до вашої робочої опори або перемістити на інше місце використання і повторно зафіксувати.
- ♦ При встановленні вашої пили на шматок фанери переконайтеся в тому, що гвинти кріплення не проходять деревину наскрізь. Фанера повинна щільно прилягати до робочої опори. При затисканні пили до будь-якої робочої поверхні слід затискати інструмент тільки на затискних виступах, де знаходяться отвори для кріпильних гвинтів. Затискання в будь-якій іншій точці буде заважати правильній роботі пили.
- ♦ Щоб уникнути заклинювання або неточності в роботі, переконайтеся, що монтажна поверхня не деформована і не має нерівностей. Якщо пила гойдається на поверхні встановлення, помістіть тонкий шматок матеріалу під одну опорну ніжку пили, щоб її положення на поверхні було стабільним та надійним.

Встановлення пильного диска (Рис. 8, 9, 10)



ОБЕРЕЖНО: Для зменшення ризику травмування вимикайте інструмент і від'єднуйте його від мережі електроживлення перед встановленням і зміненням приладдя, перед налаштуванням, зміною регулювань і ремонтом. Переконайтесь, що курковий вимикач у положенні ВИКЛ. Раптове вмикання може призвести до травмування.

- ◆ Ніколи не натискайте кнопку блокування шпинделя під час роботи інструмента або його зупинки за інерцією.
 - ◆ Не ріжте за допомогою торцювальної пили виробу з легких сплавів і чорних металів (що містять залізо або сталь), а також виробу з каменю або фіброцементу.
 - ◆ При різанні різних матеріалів потрібно використовувати відповідні пильні диски.
1. Утримуючи нижній захисний кожух в піднятому положенні, послабте гвинт опорного кронштейну захисного кожуха (kk) до тих пір, доки опорний кронштейн (ll) не підніметься достатньо високо, щоб діставати до запірного гвинта диска (nn).
 2. Натисніть кнопку блокування шпинделя (x) однією рукою, а іншою рукою задійте ключ з комплекту поставки (i), призначений для послаблення стопорного гвинта диска (nn) з лівою нарізку. Провертайте гвинт ключем за годинниковою стрілкою.



ОБЕРЕЖНО: Щоб задіяти стопор шпинделя, натисніть кнопку так, як зображено на рисунку, і провертайте шпindelь рукою, доки не відчуєте, що стопор спрацював.

Продовжуйте утримувати кнопку стопора натиснутою, щоб не дати шпинделю повертатися.

3. Зніміть гвинт блокування пильного диска (nn) та зовнішню проміжну втулку (pp).
4. Встановіть пильний диск пили (oo) на адаптер пильного диска, насаджений прямо на внутрішню проміжну втулку (rr), переконавшись в тому, що зубці на нижньому краї пильного диска спрямовані в бік задньої частини пили (в протилежний від оператора бік).
5. Встановіть на місце зовнішню проміжну втулку (pp).
6. Акуратно затягніть стопорний гвинт пильного диска (nn), закручуючи проти годинникової стрілки і одночасно іншою рукою утримуючи кнопку стопора шпинделя натиснутою.
7. Поверніть кронштейн захисного кожуха (ll) в початкове положення та надійно затягніть гвинт кронштейна захисного кожуха (kk), щоб зафіксувати кронштейн в цьому положенні.



ОБЕРЕЖНО! Майте на увазі, що пильний диск пили можна замінювати виключно у

вказаний спосіб. Використовуйте лише ті пильні диски, які вказані в розділі «Технічні характеристики».



ОБЕРЕЖНО! Кронштейн захисного кожуха (ll) потрібно повернути в початкове положення, а гвинт кронштейна захисного кожуха (kk) потрібно затягнути перед тим, як вмикати пилу.



ОБЕРЕЖНО! Якщо цього не зробити, то захисний кожух може доторкатися до пильного диска під час обертання, що може призвести до пошкодження пили та серйозних травм оператора.

Ваша торцювальна пила пройшла ретельне налаштування на заводі. Якщо в результаті транспортування або експлуатації або з будь-якої іншої причини пила треба налаштувати повторно, дотримуйтеся нижченаведених кроків. Після завершення цієї операції такі регулювання повинні залишатися точними.

Перевірка та регулювання шкали кута горизонтального скосу (Fig. 11, 12, 13)

1. Послабте запірну рукоятку механізму регулювання горизонтального кута скосу (e), натисніть на фіксатор механізму регулювання горизонтального кута (t), щоб відпустити важіль механізму регулювання горизонтального кута скосу. Повертайте важіль механізму регулювання горизонтального кута до тих пір, поки защіпка механізму не зафіксує його в положенні 0°. Не затягуйте запірну рукоятку механізму регулювання горизонтального кута (e).
2. Потягніть вниз різальний блок, доки пильний диск не опиниться на вході в проріз вставки стола (s).
3. Прикладіть косинець (tt) до лівого паралельного упора (v) та пильного диска (oo) (Рис. 11).



ОБЕРЕЖНО: Не торкайтесь кінчиків зубів пильного диска косинцем.

Якщо потрібне регулювання, виконайте наступні дії:

4. Затягніть запірну рукоятку механізму регулювання горизонтального кута (e). Послабте затискну рукоятку паралельного упора (k), зніміть затискну рукоятку лівого (v) та правого (c) паралельного упора.
5. Послабте 4 шестигранні болти за упором, відрегулюйте основний упор належним чином відповідно до косинця (tt).
6. Затягніть шестигранні болти та встановіть боковий упор.

Перевірка та регулювання положення пильного диска по відношенню до стола (Рис.

14, 15, 16)

1. Послабте затискну рукоятку механізму вертикального косою зрізу (р).
2. Натисніть важіль механізму регулювання горизонтального кута зрізу праворуч, щоб гарантувати, що він повністю вертикальний, при цьому обмежувач кутового положення розташований навпроти обмежувача регулювання вертикального положення (сс), після чого затягніть рукоятку механізму вертикального косою зрізу.
3. Потягніть вниз різальний блок, доки пильний диск не опиниться на вході в проріз вставки стола (s).
4. Прикладіть косинець (tt) в кут між столом та пильним диском (oo) (Рис. 15).



ОБЕРЕЖНО: Не торкайтесь кінчиків зубів пильного диска косинцем.

Якщо потрібне регулювання, виконайте наступні дії:

5. Послабте контргайку (ww) на кілька обертів і викручайте або вкручайте стопорний гвинт регулювання положення скоса (сс), поки вказівник (xx) не опиниться навпроти позначки 45°-0°, а обмежувач кутового положення не торкнеться упору регулювання кута косою зрізу.
6. Надійно затягніть контргайку (ww), утримуючи гвинт обмежувача регулювання (сс) в нерухомому положенні.
7. Якщо вказівник вертикального кута косою зрізу (xx) не вказує на нуль на шкалі кута косою зрізу (q), послабте гвинт (yy), яким фіксується вказівник, та посуňte вказівник в потрібне положення.

Регулювання паралельного упора (Рис. 17)

Верхню частину паралельного упора можна відрегулювати, щоб забезпечити зазор, який дозволить нахилити різальний блок під кутом 45° ліворуч та 0° праворуч.

Для регулювання паралельного упора (v) та правий бічний паркан (с):

1. Послабте пластикову рукоятку (k) та посуňte паралельний упор ліворуч.
2. Переверте зазор шляхом опускання різального блока вимкненої пили. Відрегулюйте паралельний упор, щоб він знаходився настільки близько до пильного диска, наскільки потрібно, аби забезпечити максимальну підтримку оброблюваної заготовки, але щоб при цьому упор не заважав руху важеля вгору та вниз.
3. Міцно затягніть рукоятку.



ОБЕРЕЖНО: Напрямні канавки (zz) можуть забитися стружкою та тирсою. Для очищення напрямних канавок використовуйте паличку або пневмокомпресор з невеликим тиском.

Перевірка та регулювання вертикального кута скосу (Рис. 17, 18, 19)

1. Послабте затискну рукоятку лівого паралельного упора (k) та посуňte верхню частину лівого паралельного упора в лівий бік до кінця.
2. Послабте рукоятку затискача механізму вертикального косою зрізу (р) та посуňte важіль пилки ліворуч у положення для різання під кутом 45°.

Якщо потрібне регулювання, виконайте наступні дії:

3. Послабте контргайку (ww) на кілька оборотів і викручайте або вкручайте стопорний гвинт регулювання положення скоса (aa), поки вказівник (xx) не опиниться навпроти позначки 45°, а обмежувач кутового положення (z) не торкнеться упору регулювання кута косою зрізу.
4. Надійно затягніть контргайку (ww), утримуючи гвинт обмежувача регулювання (aa) в нерухомому положенні.
5. Щоб забезпечити кут скосу 0° в правий бік або 45° в лівий бік, потрібно відкрити два гвинта обмежувача регулювання, аби дозволити важелю пили вільно рухатись в потрібному напрямку.

Регулювання обмежувача глибини (пропилювання пазів) (Рис. 20)

Ця операція потрібна для регулювання пропилювання пазу на вставці стола з прорізом

- Перемістіть пластину обмежувача глибини (hhh) у місце, показане на Рис. 20.
- Нахиліть різальний блок за рукоятку в положення, при якому досягається бажана глибина пазу.
- Повертайте регульовальний гвинт (ss) за годинниковою стрілкою, доки кінець гвинта не торкнеться стопера на кожуху.
- Повільно потягніть важіль управління інструментом вгору.

Після завершення пропилювання пазів поверніть обмежувач глибини Пластина (hhh) в його початкове положення.

Переконайтесь в тому, що пильні диски не торкаються станини або вставки стола з прорізом.

Задіяння захисного кожуха та видимість

Конструкція захисного кожуха пильного диска передбачає його автоматичне підняття при опусканні важеля та автоматичне опускання поверх пильного диска при піднятті важеля.

Захисний кожух можна підняти рукою під час встановлення або зняття пильних дисків, а також під час огляду пили. **НИКОЛИ НЕ ПІДНИМАЙТЕ ЗАХИСНИЙ ЩИТОК ПИЛЬНОГО ДИСКА ВРУЧНУ, ЯКЩО ПИЛА В ЦЕЙ МОМЕНТ НЕ ВИМКНЕНА.**

ПРИМІТКА: Під час виконання певних нетипових розпилів може знадобитися вручну підняти захисний кожух. Передня секція захисного

кожуха має щиток з прорізами жалюзійного типу, щоб забезпечити кращий огляд. Хоча жалюзійні прорізи у захисному кожуху значно зменшують кількість сміття, що розлітається навколо пили, під час огляду захисного кожуха все одно завжди слід надягати захисні окуляри.

Автоматичне електрогальмо

Ваша пила оснащена автоматичним електричним гальмом пильного диска, який зупиняє диск пили протягом 10 секунд після відпускання вимикача. Це гальмо є нерегульованим.

Інколи може спостерігатися затримка між відпусканням вимикача та спрацюванням гальма. У рідких випадках гальма можуть взагалі не спрацювати, і пильний диск поступово зупиниться за інерцією.

Якщо трапляється затримка або «пропуск», вимкніть та увімкніть пилу 4 або 5 разів. Якщо несправність не усунуто, віднесіть інструмент для ремонту в авторизованому сервісному центрі STANLEY.

Перш ніж виймати пильний диск з пропила, завжди потрібно пересвідчуватися в тому, що він зупинився. Гальмо не є заміною захисних кожухів і не усуває потребу в дотриманні особистих заходів безпеки: зокрема, під час роботи ви повинні приділяти пилі всю вашу увагу.

Налаштування плити Керфа

Для регулювання вставок стола з прорізом послабте гвинти, що утримують вставки стола з прорізом. Відрегулюйте вставки стола з прорізом таким чином, щоб вони були якнайближче до пильного диска, проте не заважали його руху.

Щітки (Рис. 1)



ОБЕРЕЖНО: Щоб зменшити ризик отримання серйозних травм, вимкніть інструмент та від'єднайте його від джерела живлення, перш ніж намагатися перемістити його, замінити приладдя або виконати будь-які налаштування.

Регулярно оглядайте вугільні щітки. Для цього попередньо слід від'єднати інструмент, зняти кришку тримача щітки (W), яка утримує підпружинений блок щітки. Тримайте щітки чистими, щоб вони вільно ковзали в своїх напрямних. Завжди вставляйте використану щітку в тому самому положенні, в якому вона знаходилась до зняття.

Використовуйте тільки ідентичні щітки STANLEY. Використання щіток правильного типу є запорукою належної роботи електричного гальма. Для правильної роботи електричного гальма потрібна нова щітка. Нові комплекти щіток доступні в сервісних центрах STANLEY. Інструменту потрібно дозволити пройти «обкатку» (дозволити попрацювати без навантаження) протягом 10 хвилин перед використанням, щоб нові щітки притерлися. Доки нові щітки не припрацюються (притруться), робота електричного гальма може бути неточною. Після перевірки чи обслуговування

щіток завжди встановлюйте на місце оглядовий лючок для перевірки щітки.

Запірна рукоятка напрямної рейки (Рис. 2)

За допомогою запірної рукоятки напрямної рейки (ddd) можна заблокувати різальний блок, щоб він не ковзав рейками. Застосовується під час виконання окремих прорізів чи транспортування пилки.

Пересувний упор (Рис. 21)

Пересувний упор дозволяє контролювати (ggg) положення рейок пилки таким чином, щоб забезпечити виконання прорізів у найбільш вертикальних положеннях. ПРИ ВИКОРИСТАННІ ПЕРЕСУВНОГО УПОРУ ОБОВ'ЯЗКОВО ЗАТЯГУЙТЕ ЗАПІРНУ РУКОЯТКУ НАПРЯМНОЇ РЕЙКИ ДЛЯ ЗАПОБІГАННЯ ВИПАДКОВОМУ ПЕРЕСУВАННЮ СИСТЕМИ КОВЗАННЯ

Стопорний штифт різального блоку (Рис. 6)

Задля фіксування різального блоку у нижньому положенні опустіть блок, потім просуньте штифт (o) на відпустіть різальний блок пилки. Таким чином різальний блок пилки буде надійно зафіксовано під час пересування пилки з місця на місце. Щоб зняти штифт, опустіть різальний блок та вийміть штифт.

ВИКОРИСТАННЯ



ОБЕРЕЖНО: Завжди дотримуйтесь інструкцій із техніки безпеки і відповідних норм.



ОБЕРЕЖНО: Щоб запобігти травмуванню, перед початком регулювання або зняття/встановлення приладдя необхідно завжди вимикати інструмент та від'єднувати його від джерела живлення.

Переконайтеся в тому, що інструмент розташований на стійкій поверхні і відрегульований по висоті зручно для вас. Місце для роботи слід вибирати таким чином, щоб оператор мав безперешкодний огляд та достатньо вільного простору навколо інструменту, аби здійснювати будь-які маніпуляції із заготовкою без жодних обмежень.

Щоб знизити вібрації, переконайтеся в тому, що температура середовища не занадто низька, інструмент і приладдя обслуговуються належним чином, а розмір заготовки підходить для цього інструменту.

Підготовка до роботи

- ♦ Встановіть відповідний пильний диск. Не використовуйте занадто зношені диски. Максимальна швидкість обертання інструменту не повинна перевищувати максимальної допустимої швидкості обертання диска.
- ♦ Не намагайтеся різати занадто малі заготовки.
- ♦ Дозвольте диску самостійно різати заготовку. Не прикладайте при цьому надмірне зусилля.
- ♦ Дозвольте двигуну набрати повну швидкість, перш ніж починати різання.

- ♦ Переконайтеся, що всі затискні ручки та стопорні рукоятки затягнуті належним чином.
- ♦ Зафіксуйте робочу заготовку.
- ♦ Хоча окрім розпилювання деревини ця пила також може працювати з багатьма неметалічними матеріалами, в даній інструкції з експлуатації описується виключно різання деревини.
- ♦ Обов'язково використовуйте вставку стола з прорізом. Не використовуйте інструмент, якщо проріз для пропилю ширший за 10 мм.
- ♦ Не перехресуйте руки.
- ♦ Міцно тримайте обидві ноги на підлозі і зберігайте рівновагу.
- ♦ При переміщенні важеля пили вліво і вправо слідуйте за ним і встаньте трохи збоку від пильного диска.
- ♦ Контролюйте ведення пильного диска по лінії, намальованій олівцем, дивлячись на зріз через захисний щиток жалюзійного типу.

Різнання пилою

При різанні виробів, розмір яких перевищує 82 x 110 мм (82 x 74 мм під кутом у 45 градусів), різання виконувати рухами від себе — назад при відпущеній запірній рукоятці напрямної рейки (ddd).

Потягніть пилку на себе, опустіть різальний блок у напрямку виробу та повільно поведіть пилку у напрямку назад для виконання прорізу. Не допускайте контакту пилки з верхом виробу під час її витягання з прорізу. Це може призвести до травм або пошкодження виробу.

Якщо функція ковзання не використовується, переконайтеся, що різальний блок відсунуто у максимальне заднє положення, а запірну рукоятку напрямної рейки затягнуто. Це запобігає продольному ковзанню пилки рейками під час розміщення виробу.

Примітка. Хоча окрім розпилювання деревини ця пила також може працювати з багатьма неметалічними матеріалами, в даній інструкції з експлуатації описується виключно різання деревини. Ті самі рекомендації застосовуються і до інших матеріалів. **НЕ РОЗПИЛЮЙТЕ ЦЬЮ ПИЛКОЮ ВИРОБИ З МЕТАЛУ (ЗАЛІЗО ТА СТАЛЬ) АБО КАМЕНЮ!** Не використовуйте абразивні диски!

Основні види зрізів пили

Вертикальний прямий поперечний зріз (Рис. 1, 2, 24)

ПРИМІТКА: Щоб забезпечити потрібну продуктивність різання, завжди використовуйте пильні полотна 254 мм з отворами для оправки 25,4 мм.

1. Послабте запірну рукоятку механізму регулювання горизонтального кута скосу (e) та натисніть на фіксатор механізму регулювання горизонтального кута (t), щоб послабити важіль механізму регулювання горизонтального кута скосу.
2. Встановіть защіпку механізму регулювання горизонтального кута в положення 0° і затягніть запірну рукоятку механізму регулювання горизонтального кута (e).
3. Прикладіть до паралельного упора (c, v) дерев'яну заготовку для розпилювання.
4. Міцно візьміться за рукоятку управління (a) і натисніть важіль блокування (dd) вліво.
5. Натисніть на курковий вимикач (l), щоб запустити двигун.
6. Натисніть на різальний блок, щоб пильний диск прорізав деревину і увійшов у пластикову

Увімкнення та вимкнення (Рис. 23)

Щоб включити пилу, переведіть важіль блокування (dd) вліво, а потім натисніть курковий вимикач (l). Пила буде працювати, поки вимикач натиснуто. Дайте пильному диску набрати повну робочу швидкість, перш ніж починати розпилювання. Щоб вимкнути пилу, відпустіть вимикач. Дайте диску повністю зупинитися перед тим, як піднімати різальний блок. Положення для блокування куркового вимикача не передбачене. У курковому вимикачі передбачено спеціальний отвір (y) для вставки замка, який блокує рух вимикача.

Світлодіодна система підсвітки (Рис. 1, 23)

Світлодіодна система освітлення оснащена перемикачем увімк./вимк. (bb). Світлодіодна система освітлення працює незалежно від куркового вимикача торцювальної пили. Щоб працювати з пилою, світло не обов'язково має бути увімкнене.

Щоб зробити проріз по лінії, намальованій олівцем на дерев'яній заготовці:

1. Увімкніть систему, потім потягніть вниз рукоятку управління (a), щоб опустити диск пили ближче до дерева. На поверхні дерева з'явиться тінь від диска.
2. Сумістіть лінію, намальовану олівцем, з краєм тіні пильного диска. Щоб точно потрапити на лінію, намальовану олівцем, вам може знадобитися відрегулювати кут горизонтального чи вертикального зрізу.

Положення тіла та рук

Правильне положення тіла і рук при роботі з торцювальною пилою зробить різання простішим, точнішим та безпечнішим.

- ♦ Ніколи не тримайте руки близько до зони різання.
- ♦ Не кладіть руки ближче, ніж 150 мм від пильного диска.
- ♦ При різанні щільно притискайте заготовку до паралельного упора та столу. Тримайте руки на місці, поки курковий вимикач не буде відпущено, а пильний диск повністю не зупиниться.
- ♦ Завжди виконуйте пробні прогони (не вимикаючи живлення) перед остаточним відрізанням, щоб перевірити шлях пильного диска.

вставку стола з прорізом (s).

- Після завершення різання відпустіть курковий вимикач і почекайте, поки пильний диск повністю зупиниться, перш ніж повернути різальний блок у верхнє неробоче положення.

Вертикальні діагональні поперечні розпили (Рис. 1, 2, 25)

- Послабте запірну рукоятку механізму регулювання горизонтального кута (e) та натисніть на фіксатор механізму регулювання горизонтального кута (t). Поверніть різальний блок ліворуч або праворуч на потрібний кут.
- Фіксатор механізму регулювання горизонтального кута автоматично зупиняється на позначках 0°, 15°, 22,5°, 31,6° та 45°. Якщо необхідно встановити проміжний кут або кут 52°, надійно утримуйте різальний блок та зафіксуйте його в потрібному положенні, затягнувши запірну рукоятку механізму регулювання горизонтального кута (e).
- Перед початком різання завжди пересвідчитесь в тому, що важіль блокування механізму регулювання горизонтального кута зрізу затягнутий.
- Процедура різання ідентична процедурі виконання вертикального прямого поперечного розпилу.



ОБЕРЕЖНО: Якщо необхідно виконати невеликий горизонтальний косий відріз скраю заготовки, розташуйте заготовку таким чином, щоб відріз був розташований з того боку пильного диска, який має більший кут по відношенню до паралельного упора; тобто, при скосі ліво відріз має бути спрямований праворуч, а при скосі вправо відріз має бути спрямований ліворуч.

Зрізи під косим кутом (Рис. 1, 2, 26)

Кути скоса можуть бути встановлені від 0° в правий бік до 45° в лівий бік. Такі зрізи можна виконати, коли важіль механізму регулювання горизонтального кута встановлено в положення в діапазоні від нуля до не більше ніж 45° в правий або лівий бік.

- Послабте затискну рукоятку лівого паралельного упора (k) та посувайте верхню частину лівого паралельного упора (v) в лівий бік до кінця. Послабте рукоятку затискача механізму вертикального косоного зрізу (p) та встановіть потрібний кут скосу.
- Міцно затягніть затискну рукоятку механізму вертикального косоного зрізу (p).
- Процедура різання ідентична процедурі виконання вертикального прямого поперечного розпилу.

0° Блокування положення скосу (Рис. 27)

Блокування положення скосу дозволяє налаштувати положення скосу пилки на 0° при підйомі зліва. При підйомі зліва пилка автоматично зупиниться у положенні 0°. Для тимчасового

переходу на скіс більше 0° з правого боку, потягніть запірну рукоятку положення скосу (fff). Після розблокування рукоятки блокування буде переналаштовано. Розблокування запірної рукоятки положення скосу виконується повертанням рукоятки на 90°. При значенні 0° відбувається блокування положення скосу. Для використання блокування нахиліть пилку трохи ліворуч.

Якість зрізів

Гладкість будь-якого зрізу залежить від декількох факторів, наприклад, від матеріалу, який ріжеться. Якщо для формовки або інших точних робіт потрібні максимально гладкі зрізи, то використання гострого (з 60 твердосплавними зубами) диска в поєднанні з невисокою швидкістю різання для дерева, або гострого (з 80-120 твердосплавними зубами) диска в поєднанні з невисокою швидкістю різання для алюмінію, а також підтримання однакової швидкості при різанні дозволять досягти бажаних результатів.



ОБЕРЕЖНО: Переконайтеся в тому, що матеріал не ковзає під час різання; надійно закріпіть його на місці. Завжди давайте пильному диску повністю зупинитися, перш ніж підняти важіль. Якщо маленькі друзки деревини все рівно відщепляються від задньої частини заготовки, наклейте шматок клейкої стрічки на ту ділянку дерев'яної заготовки, де буде зроблений розріз. Зробіть розпил крізь стрічку, а після завершення розпилювання обережно зніміть стрічку.

Розпилювання виробів однієї довжини (Рис. 28)

Упор для встановлення довжини (ee) використовується для розпилювання виробів однієї довжини.

Упор для встановлення довжини встановлюється на робочу опорну скобу пилки (ii).

- Розкладіть упор для встановлення довжини (ee)
- Налаштуйте робочу опорну скобу пилки (ii) на необхідну довжину

Висування опорного столу (Рис. 28)

- Завжди встановлюйте опори для довгих заготовок.
- Для досягнення найкращих результатів при роботі з пилкою використовуйте робочу опорну скобу-подовжувач (ii). Підтримуйте довгі робочі заготовки за допомогою будь-яких зручних засобів, як-от пильні козли або схожі пристрої, щоб кінці заготовки не опускалися.
- Послабте рукоятку (h), витягніть робочу опорну скобу (ii) на необхідну довжину. Затягніть рукоятку (h).

Затискання робочої заготовки струбиною (Рис. 3, 29, 30)

- За можливості закріплюйте дерев'яну/алюмінієву заготовку на пилі.
- Для досягнення найкращих результатів

застосуйте струбцину (gg), призначену для використання з вашою пилою. Коли можливо, фіксуйте робочу заготовку до паралельного упора за допомогою струбцини. Заготовку можна затискати струбциною з будь-якого боку пильного диска; завжди впирайте струбцину в тверду та пласку поверхню паралельного упора.

3. Встановлення струбцини: Потрібно вставити вертикальну струбцину в отвори (mm), як зображено на Рисунок 7, а потім повернути в правильне положення. Якщо потрібна горизонтальна струбцина, встановіть горизонтальну струбцину в отвори (qq), як зображено на Рисунок 30.



ОБЕРЕЖНО: завжди використовуйте хомути при різанні кольорових металів



ОБЕРЕЖНО: Завжди використовуйте вертикальну та горизонтальну струбцини при різанні малих за розміром заготовок.

Підтримка довгих заготовок (Рис. 3, 8)

1. Завжди встановлюйте опори для довгих заготовок.
2. Щоб отримати найкращі результати, при роботі з пилою використовуйте робочу опорну скобу-подовжувач (ii). Підтримуйте довгі робочі заготовки за допомогою будь-яких зручних засобів, таких як пильні козли або схожі пристрої, щоб кінці заготовки не опускалися.
3. Встановлення робочої скоби-подовжувача (Рис. 8):
Для послаблення гвинтів використовуйте ключ (i) для пильного диска, що входить в комплект поставки. Вставте робочу скобу-подовжувач в отвір (отвори).
Затягніть гвинти.

Розпилювання алюмінієвого профілю



ОБЕРЕЖНО: Ніколи не намагайтесь різати товстий або круглий алюмінієвий профіль. Товстий алюмінієвий профіль може розхитуватись під час обробки, а круглий алюмінієвий профіль неможливо надійно зафіксувати за допомогою даного інструмента.

При фіксації алюмінієвих профілів використовуйте проставки або браковані заготовки, як зображено на Рис. 28, щоб не допустити деформації алюмінію. При розпилюванні алюмінієвих заготовок використовуйте змащувально-охолоджувальну рідину, щоб запобігти нашаруванню алюмінієвих матеріалів на пильному диску.

Розпил рам для картин, панно-вітрин та інших чотирикутних виробів (Рис. 32, 33)

Розпил фігурних молдинів та інших рам

Спробуйте створити кілька простих виробів, використовуючи браковані дерев'яні заготовки, доки ви не виробите «відчуття» своєї пили. Ваша пила ідеально підходить для створення

горизонтальних скосів, як зображено на рисунку 32. З'єднання, зображене на рисунку, було зроблене із застосуванням однакових налаштувань скосу для обох заготовок.

Використання налаштувань горизонтального скосу

Кут скосу для кожної з заготовок налаштований на 45°, в результаті чого утворюється сумарний кут 90°. Важіль механізму регулювання кута горизонтального скосу заблокований в нульовому положенні. Дерев'яні заготовки повинні бути розташовані широкою пласкою стороною в бік стола, а вузькою стороною до паралельного упора.

Використання налаштувань кута горизонтального розпилу

Такий самий зріз можна отримати, якщо прикласти широку сторону до паралельного упора і зробити лівий та правий скоси.

Зрізи, зображені на ескізах (Рис. 29, 30) призначені лише для чотирикутних об'єктів. Якщо кількість сторін змінюється, то змінюються і кути горизонтального та вертикального розпилів. На таблиці нижче наведено правильні кути для випилювання різних форм, за умови, що вони мають однакову довжину. Для форми, яка не наведена в таблиці, розділіть 180° на кількість сторін, щоб визначити кут горизонтального або вертикального розпилу.

К-сть сторін	Кут горизонтального або вертикального розпилу
4	45°
5	36°
6	30°
7	25.7°
8	22.5°
9	20°
10	18°

Комбінований скіс (Рис. 32, 33, 34, 35)

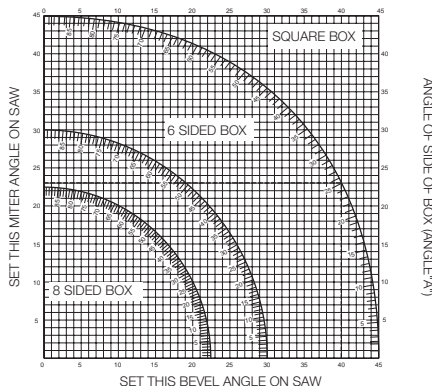
Комбінований скіс створюється за допомогою одночасного поєднання горизонтального (Рис. 30) та вертикального (Рис. 29) кутів розпилу. Цей тип зрізу використовується для створення рам або ящиків з похилими сторонами, як в прикладі, що зображений на рисунку 34.



ОБЕРЕЖНО: Якщо кут зрізу змінюється, то після переналаштування пили завжди перевіряйте, щоб затискні рукоятки механізмів регулювання горизонтального та вертикального зрізів були надійно затягнуті. Після зміни горизонтального або вертикального кута розпилювання ці рукоятки необхідно надійно затягнути.

- ♦ Зображений нижче графік допоможе вам вибрати правильні налаштування кутів горизонтального та вертикального скосів

для типових комбінованих скосів. Щоб використати цей графік, виберіть бажаний кут «А» (Рис. 32) вашого виробу та розташуйте цей кут на відповідній дузі на графіку. З цієї точки проведіть лінію прямо вниз, щоб знайти правильний кут вертикального скосу, а також перпендикулярну лінію, аби знайти правильний кут горизонтального скосу.



- ◆ Встановіть вказані кути на своїй пилі і зробіть кілька пробних розпилів.
- ◆ Спробуйте сумістити відрізані шматки.
- ◆ Приклад: Щоб зробити 4-кутну коробку із зовнішніми кутами 25° (кут «А») (Рис. 35), використовуйте праву верхню дугу. Знайдіть 25° на дуговій шкалі. Проведіть горизонтальну лінію до кожного з боків, щоб дізнатися налаштування кута горизонтального скосу для пили (23°). Аналогічним чином, проведіть вертикальну лінію до нижньої або верхньої межі графіка, щоб дізнатися налаштування кута вертикального скосу для пили (40°). Завжди робіть кілька пробних розпилів на бракованих заготовках, щоб переконатися в правильності налаштувань пили.

Розпил плінтусних молдингів

Розпилювання плінтусних молдингів здійснюється за допомогою вертикального розпилювання під діагональним кутом 45°.

- ◆ Always make no load running without power before making any cuts.
- ◆ При виконанні розпилів задня частина молдинга повинна бути повернута пласкою стороною до пили.

Внутрішній кут

Ліва сторона

1. Розташуйте молдинг таким чином, щоб його верхня частина прилягала до горизонтального упора.
2. Лівий бік розпилюваної заготовки є чистовим.

Правий бік

1. Розташуйте молдинг таким чином, щоб його нижня частина прилягала до горизонтального упора.

2. Лівий бік розпилюваної заготовки є чистовим.

Зовнішній кут

Ліва сторона

1. Розташуйте молдинг таким чином, щоб його нижня частина прилягала до горизонтального упора.

2. Правий бік розпилюваної заготовки є чистовим.

Правий бік

1. Розташуйте молдинг таким чином, щоб його верхня частина прилягала до горизонтального упора.

2. Правий бік розпилюваної заготовки є чистовим.

Розпил стельових молдингів

Розпилювання стельового молдинга виконується із застосуванням комбінованого скосу.

Щоб забезпечити максимальну точність, ваша пила має попередньо налаштований кут горизонтального зрізу у 31,6°, а в на шкалі кутів вертикального скосу є позначка 33,9°. Ці налаштування є стандартними для стельових молдингів, які мають кут 52° у верхній частині та кут 38° у нижній частині.

- ◆ Перед виконанням чистових зрізів зробіть кілька пробних розпилів на бракованих заготовках.

- ◆ Всі зрізи здійснюються з використанням лівого вертикального скосу, коли задня частина молдинга прикладена до станини.

Внутрішній кут

Ліва сторона

1. Верхня частина молдинга повернута до паралельного упора.
2. Горизонтальний скіс спрямований в правий бік.
3. Лівий бік розпилюваної заготовки є чистовим.

Правий бік

1. Нижня частина молдинга повернута до паралельного упора.

2. Горизонтальний скіс спрямований в лівий бік.
3. Лівий бік розпилюваної заготовки є чистовим.

Зовнішній кут

Ліва сторона

1. Нижня частина молдинга повернута до паралельного упора.

2. Горизонтальний скіс спрямований в лівий бік.
3. Лівий бік розпилюваної заготовки є чистовим.

Правий бік

1. Верхня частина молдинга повернута до паралельного упора.
2. Горизонтальний скіс спрямований в правий бік.
3. Правий бік розпилюваної заготовки є чистовим.

Спеціальні зрізи

- ♦ Всі зрізи виконуються, коли розпилювана заготовка зафіксована, при цьому однією стороною вона впирається в стіл, а іншою – в паралельний упор. Обов'язково надійно зафіксуйте заготовку.

Вигнуті заготовки (Рис. 36, 37)

При розпилюванні вигнутих заготовок завжди розташуйте їх так, як зображено на Рисунку 35, і ніколи, як на Рисунку 36. Неправильне розташування заготовки призведе до закусювання пильного диска в деревині ближче до завершення розпилу.

Розпилювання пластикових труб або інших круглих матеріалів

Ваша пила може без зусиль різати пластикові труби. Їх треба різати так само, як і дерев'яні/алюмінієві заготовки, і затискати або міцно утримувати притиснутими до паралельного упора, щоб вони не скочувались. Особливо велике значення це має при виконанні куткових розпилів.

Розпилювання великих заготовок (Рис. 37)

Іноколи великі дерев'яні заготовки не поміщаються під захисним кожухом пильного диска. Можна трохи збільшити доступну висоту, відтягнувши захисний кожух до кінця вгору, як показано на Рисунку 37. Намагайтесь уникати підйому кожуха, але якщо доводиться вдаватися до таких дій, то пила працюватиме належним чином і буде робити більший розріз. **НІКОЛИ НЕ ПРИВ'ЯЗУЙТЕ, НЕ ПРИЛІПЛЮЙТЕ КЛЕЙКОЮ СТРІЧКОЮ ТА ЖОДНИМ ІНШИМ ЧИНОМ НЕ ФІКСУЙТЕ ПІДНЯТИЙ ЗАХИСНИЙ КОЖУХ ПІД ЧАС РОБОТИ З ПИЛОЮ.**

Розпилювання великих заготовок (Рис. 37)

Іноколи великі дерев'яні заготовки не поміщаються під захисним кожухом пильного диска. Можна трохи збільшити доступну висоту, відтягнувши захисний кожух до кінця вгору, як показано на Рисунку 37. Намагайтесь уникати підйому кожуха, але якщо доводиться вдаватися до таких дій, то пила працюватиме належним чином і буде робити більший розріз. **НІКОЛИ НЕ ПРИВ'ЯЗУЙТЕ, НЕ ПРИЛІПЛЮЙТЕ КЛЕЙКОЮ СТРІЧКОЮ ТА ЖОДНИМ ІНШИМ ЧИНОМ НЕ ФІКСУЙТЕ ПІДНЯТИЙ ЗАХИСНИЙ КОЖУХ ПІД ЧАС РОБОТИ З ПИЛОЮ.**

Видалення пилу (Рис. 2, 3)



Встановіть картридж для видалення пилу (ff) на патрубку для видалення пилу (n).



ОБЕРЕЖНО: За можливості завжди

встановлюйте пристрій для видалення пилу, який розроблений з дотриманням відповідних норм стосовно викидів пилу. Під'єднайте пристрій для видалення пилу, розроблений з дотриманням відповідних норм. Швидкість потоку повітря зовнішніх під'єднаних систем повинна складати 20 м/с \pm 2 м/с. Швидкість повинна вимірюватись в з'єднувальній трубці, в точці під'єднання, коли інструмент, підключений, але не працює.

Транспортування (Рис. 2, 6)

Для зручного перенесення торцювальної пили необхідно встановити ручку для перенесення (m) на верхній частині важеля пили.

- ♦ При транспортуванні пили потрібно опустити різальний блок та вставити стопорний штифт (o).
- ♦ При транспортуванні пилки завжди використовуйте ручку для перенесення (m) або виймки для пальців (r).

ТЕХНІЧНЕ ОБСЛУГОВУВАННЯ

Конструкція інструмента STANLEY розрахована на роботу протягом тривалого періоду часу з мінімальним технічним обслуговуванням. Для тривалої й належної роботи інструменту потрібен догляд і регулярне очищення.

- ♦ Необхідно регулярно очищувати вентиляційні прорізи в інструменті і зарядному пристрої за допомогою м'якої щітки або сухої тканини.
- ♦ Необхідно регулярно очищувати корпус двигуна за допомогою вологої тканини. Забороняється використовувати для очищення абразивні матеріали та засоби очищення на основі розчинників. Інструмент не призначений для обслуговування користувачем. В разі виникнення несправностей необхідно звернутися до авторизованого сервісного центру.



Змащування

Усюди використовуються шарикопідшипники закритого типу зі змазкою. Ці підшипники мають достатньо змазки, яка була запресована в них на заводі, що дозволяє їх експлуатацію без обслуговування протягом усього строку експлуатації торцювальної пили.



Чищення

Перед експлуатацією ретельно перевірте верхній захисний кожух пильного диска, рухомий нижній захисний кожух, а також трубку відведення пилу, щоб пересвідчитися в їх придатності до роботи. Переконайтесь в тому, що друзки, пил або уламки робочої заготовки не можуть призвести до блокування однієї з функцій.

У випадку застрягання уламків робочої заготовки між пильним диском та захисними кожухами потрібно від'єднати інструмент від мережі

електричного живлення та дотримуватись інструкцій, наведених в розділі «Встановлення пильного диска». Необхідно витягнути фрагменти, що застрягли, і установити дискову на своє місце.



ОБЕРЕЖНО: Видувати бруд і пил з корпусу дозволяється за допомогою сухого повітря під тиском по мірі накопичення бруду всередині і навколо вентиляційних отворів. Під час виконання цієї процедури необхідно використовувати засоби захисту очей і респиратор встановленого зразка.



ОБЕРЕЖНО: Для очищення неметалевих частин інструменту забороняється використовувати розчинники та агресивні хімічні речовини.

Ці хімічні речовини можуть пошкодити матеріали, з яких складаються ці деталі. Для очищення потрібно використовувати суху ганчірку та м'який мильний розчин. Не дозволяється проникнення рідини всередину інструменту і занурення інструменту будь-якою частиною в рідину.



ОБЕРЕЖНО: Щоб знизити ризик травмування, **необхідно регулярно очищувати поверхню стола.**



ОБЕРЕЖНО: Щоб знизити ризик травмування, **необхідно регулярно очищувати систему збирання пилу.**

Для забезпечення БЕЗПЕКИ та НАДІЙНОСТІ інструменту ремонт, перевірку стану графітових щіток та їхню заміну, а також будь-які інші операції з технічного обслуговування мають проводити працівники сервісних центрів STANLEY, а для заміни потрібно використовувати тільки запасні частини Stanley.

ДОДАТКОВЕ ПРИЛАДДЯ



ОБЕРЕЖНО: Оскільки приладдя сторонніх виробників, що не входять до переліку приладдя STANLEY, не було випробоване з цим виробом, його використання може бути небезпечним. Для запобігання травмуванню необхідно використовувати лише рекомендовані компанією STANLEY приладдя та обладнання.

Детальну інформацію про доступне приладдя можна дізнатися у офіційного дилера.

ЗАХИСТ НАВКОЛИШНЬОГО СЕРЕДОВИЩА



Роздільний збір відходів. Забороняється утилізувати цей виріб разом зі звичайними побутовими відходами.

Якщо ви вирішите, що ваш виріб STANLEY необхідно замінити, або припините його використовувати, не викидайте його разом із побутовими відходами. Необхідно сортувати компоненти для подальшої переробки.



Роздільний збір використаних виробів і пакувальних матеріалів дозволяє здійснювати їх вторинну переробку з подальшим повторним використанням.

Використання матеріалів, що пройшли вторинну переробку, знижує забруднення навколишнього середовища та зменшує потребу в сировинних матеріалах.

ПРИМІТКИ

Одним із принципів політики STANLEY є постійне вдосконалення наших виробів, тому ми залишаємо за собою право змінювати характеристики нашої продукції без попереднього сповіщення.

Перелік стандартного та додаткового обладнання може різнитися залежно від країни. Технічні характеристики виробів можуть різнитися залежно від країни.

Повний асортимент продукції може бути доступний не в усіх країнах. З питань наявності окремих виробів слід звернутися до дилерів STANLEY.

ІНФОРМАЦІЯ З ОБСЛУГОВУВАННЯ

Компанія STANLEY пропонує широку мережу авторизованих сервісних центрів, якими володіє компанія. В усіх сервісних центрах STANLEY працюють кваліфіковані співробітники, які виконують ефективне і надійне сервісне обслуговування для власників електричних інструментів. З питань технічних консультацій, ремонту або придбання оригінальних деталей потрібно звернутися до найближчого представництва компанії STANLEY.

ТЕХНІЧНІ ХАРАКТЕРИСТИКИ

ТОРЦЮВАЛЬНА ПИЛА		SM18
Напруга	V _{зм.с.}	220-240
Частота	Гц	50-60
Споживана потужність	Вт	1800
Діаметр диска	мм	254
Товщина пропилу диска	мм	2.8
Діаметр отвору	мм	30
Макс. швидкість диска	хв. ⁻¹	4800
Механізм горизонтального скосу (макс. положення)	вліво	47°
	вправо	52°
Механізм вертикального скосу (макс. положення)	вліво	45°
	вправо	45°
0°гор.с.к.к, 0°верт.с.к.к		92mm x 285mm / 80mm x 310mm
45°гор.с.к.к, 0°верт.с.к.к		92mm x 190mm / 80mm x 210mm
0°гор.с.к.к, 45°верт.с.к.к зліва		47mm x 285mm / 45mm x 310mm
45°гор.с.к.к, 45°верт.с.к.к зліва		47mm x 190mm / 45mm x 210mm
0°гор.с.к.к, 45°верт.с.к.к право		35mm x 285mm / 25mm x 310mm
45°гор.с.к.к, 45°верт.с.к.к право		35mm x 190mm / 25mm x 210mm
Час автоматичного гальмування пильного диска	сек	<10.0
Вага	кг	18.6

KULLANIM AMACI

STANLEY SM18 gönye testere ahşap, alüminyum, ahşap ürünleri, alüminyum ürünleri ve plastiklerin kesme işleri için tasarlanmıştır. Çapraz kesme, zıvanalı kesme ve gönye kesme işlemlerini kolayca, doğru ve güvenli bir şekilde gerçekleştirir. Bu alet profesyonel kullanım içindir.

GÜVENLİK TALİMATLARI

Aşağıdaki tanımlar her işaret sözcüğü ciddiyet derecesini gösterir. Lütfen kılavuzu okuyunuz ve bu simgelere dikkat ediniz.



TEHLİKE: Engellenmemesi halinde ölüm veya ciddi yaralanma ile sonuçlanabilecek çok yakın bir tehlikeli durumu gösterir.



UYARI: Engellenmemesi halinde ölüm veya ciddi yaralanma ile sonuçlanabilecek potansiyel bir tehlikeli durumu gösterir.



DİKKAT: Engellenmemesi halinde önemsiz veya orta dereceli yaralanma ile sonuçlanabilecek potansiyel bir tehlikeli durumu gösterir.

İKAZ: Engellenmemesi halinde maddi hasara neden olabilecek, **yaralanma ile ilişkisi olmayan durumları gösterir.**



Elektrik çarpması riskine işaret eder.



Yangın riskini belirtir.



Uyarı: Yaralanma riskini azaltmak için, kullanım kılavuzunu okuyun.

Elektrikli el aletleri için genel güvenlik talimatları



UYARI! Bu elektrikli alet ile verilen tüm güvenlik uyarıları, talimatlar, resimli açıklamalar ve teknik özellikleri okuyun. Aşağıda belirtilen tüm talimatların herhangi birisine uyulmaması elektrik çarpması, yangın ve/veya ciddi yaralanma riskine neden olabilir.

Bütün uyarı ve güvenlik talimatlarını ileride bakmak üzere saklayın

Uyarılarda yer alan «elektrikli alet» terimi şebeke elektrikle (kablolu) veya akü/pille (şarjlı) çalışan elektrikli aletinizi ifade etmektedir.

1. Çalışma alanının güvenliği

- Çalışma alanını temiz ve aydınlık tutun.** Karışık veya karanlık alanlar kazaya davetiye çıkarır.
- Elektrikli aletleri, yanıcı sıvılar, gazlar ve tozların bulunduğu yerler gibi yanıcı ortamlarda çalıştırmayın.** Elektrikli aletler, toz veya dumanları ateşleyebilecek kıvılcımlar çıkarır.
- Bir elektrikli aleti çalıştırırken çocuklardan ve etraftaki kişilerden uzak tutun.** Dikkatinizi

dağıtıcı şeyler kontrolü kaybetmenize neden olabilir.

2. Elektrik güvenliği

- Elektrikli aletlerin fişleri prizlere uygun olmalıdır. Fiş üzerinde kesinlikle hiçbir değişiklik yapmayın.** Topraklı elektrikli aletlerde hiçbir adaptör fişi kullanmayın. Değiştirilmemiş fişler ve uygun prizler elektrik çarpması riskini azaltacaktır.
- Borular, radyatörler, ocaklar ve buzdolapları gibi topraklanmamış yüzeylerle vücut temasından kaçının.** Vücudunuzun topraklanması halinde yüksek bir elektrik çarpması riski vardır.
- Elektrikli aletleri yağmura maruz bırakmayın veya ıslatmayın.** Elektrikli alete su girmesi elektrik çarpması riskini arttıracaktır.
- Elektrik kablosunu uygun olmayan amaçlarla kullanmayın. Elektrikli aleti kesinlikle kablosundan tutarak taşımayın, çekmeyin veya prizden çıkartmayın.** Kabloyu sıcaktan, yağdan, keskin kenarlardan veya hareketli parçalardan uzak tutun. Hasarlı veya dolaşmış kablolar elektrik çarpması riskini artırır.
- Elektrikli bir aleti açık havada çalıştırıyorsanız, açık havada kullanıma uygun bir uzatma kablosu kullanın.** Açık havada kullanıma uygun bir kablunun kullanılması elektrik çarpması riskini azaltır.
- Eğer bir elektrikli aletin nemli bir bölgede çalıştırılması zorunluysa, bir artık akım aygıtı (RCD) korumalı bir kaynak kullanın.** Bir RCD kullanılması elektrik şoku riskini azaltır.

3. Kişisel güvenlik

- Elektrikli bir aleti kullanırken her zaman dikkatli olun, yaptığınız işe yoğunlaşın ve sağduyulu davranın.** Elektrikli bir aleti yorgunken veya ilaç ya da alkolün etkisi altındayken kullanmayın. Elektrikli aletleri kullanırken bir anlık dikkatsizlik ciddi kişisel yaralanmayla sonuçlanabilir.
- Kişisel koruyucu ekipmanları mutlaka kullanın. Daima koruyucu gözlük takın.** Koşullara uygun toz maskesi, kaymayan güvenlik ayakkabıları, baret veya kulaklık gibi koruyucu donanımların kullanılması kişisel yaralanmaları azaltacaktır.
- İstem dışı çalıştırılmasını önleyin. Aleti güç kaynağına ve/veya aküye bağlamadan, yerden kaldırmadan veya taşımadan önce düğmenin kapalı konumda olduğundan emin olun.** Aleti, parmağınız düğme üzerinde bulunacak şekilde taşımak veya açık konumdaki elektrikli aletleri elektrik şebekesine bağlamak kazaya davetiye çıkarır.
- Elektrikli aleti açmadan önce tüm ayarlama anahtarlarını çıkartın.** Elektrikli aletin hareketli bir parçasına takılı kalmış bir anahtar kişisel yaralanmaya neden olabilir.

- e. **Ulaşmakta zorlandığınız yerlerde kullanmayın.** Daima sağlam ve dengeli basın. Bu, beklenmedik durumlarda elektrikli aletin daha iyi kontrol edilmesine olanak tanır.
- f. **Uygun şekilde giyinin. Bol elbiseler giymeyin ve takı takmayın.** Saçınızı ve elbiselerinizi hareketli parçalardan uzak tutun. Bol elbiseler ve takılar veya uzun saç hareketli parçalara takılabilir.
- g. **Eğer kullandığınız üründe toz emme ve toplama özellikleri olan ataşmanlar varsa bunların bağlı olduğundan ve doğru şekilde kullandığınızdan emin olun.** Bu toz toplama ataşmanların kullanılması tozla ilgili tehlikeleri azaltabilir.
- h. **Aletlerin sık kullanımından edindiğiniz aşinalığın sizi dikkatsiz kılmasına ve alet güvenli prensiplerini önemsememeye izin vermeyin.** Dikkatsiz bir eylem, bir saniyeden daha az sürede ciddi yaralanmalara neden olabilir.

4. Elektrikli aletlerin kullanımı ve bakımı

- a. **Elektrikli aleti zorlamayın. Uygulamanız için doğru elektrikli aleti kullanın.** Doğru elektrikli alet, belirlendiği kapasite ayarında kullanıldığında daha iyi ve güvenli çalışacaktır.
- b. **Düğme açmıyor ve kapatmıyorsa elektrikli aleti kullanmayın.** Düğmeyle kontrol edilemeyen tüm elektrikli aletler tehlikelidir ve tamir edilmesi gerekmektedir.
- c. **Herhangi bir ayarlama, aksesuar değişimi veya elektrikli aletlerin saklanması öncesinde fişi güç kaynağından çekin ve/veya aküyü elektrikli aletten ayırın.** Bu tür önleyici güvenlik tedbirleri aletin istem dışı olarak çalıştırılması riskini azaltacaktır.
- d. **Elektrikli aleti, çocukların ulaşamayacağı yerlerde saklayın ve elektrikli aleti tanımayan veya bu talimatları bilmeyen kişilerin elektrikli aleti kullanmasına izin vermeyin.** Elektrikli aletler, eğitimsiz kullanıcıların elinde tehlikelidir.
- e. **Elektrikli aletleri ve aksesuarları iyi durumda muhafaza edin.** Hareketli parçalardaki hizalama hatalarını ve tutuklukları, parçalardaki kırılmalar ve elektrikli aletin çalışmasını etkileyebilecek tüm diğer koşulları kontrol edin. Hasarlı ise, elektrikli aleti kullanmadan önce tamir ettirin. Kazaların çoğu, elektrikli aletlerin bakımının yeterli şekilde yapılmamasından kaynaklanır.
- f. Kesim aletlerini keskin ve temiz tutun. Bakımı uygun şekilde yapılmış keskin kesim uçlu kesim aletlerinin sıkışma ihtimali daha düşüktür ve kontrol edilmesi daha kolaydır.
- g. **Elektrikli aleti, aksesuarlarını ve aletin diğer parçalarını kullanırken bu talimatlara mutlaka uyun ve çalışma ortamının koşullarını ve yapılacak işin ne olduğunu göz önünde bulundurun.** Elektrikli aletin öngörülen işlemler dışındaki işlemler için kullanılması tehlikeli durumlara neden olabilir.

- h. **Kolları ve kavrama yüzeylerini kuru, yağsız ve gressiz tutun.** Kaygan kollar ve kavrama yüzeyleri, beklenmeyen durumlarda aletin güvenli bir şekilde taşınması ve kontrol edilmesine izin vermez.

5. Servis

- a. **Elektrikli aletinizi, sadece orijinal yedek parçaların kullanıldığı yetkili servise tamir ettirin.** Bu, elektrikli aletin güvenliğinin muhafaza edilmesini sağlayacaktır.

GÖNYE TESTERELER İÇİN GÜVENLİK TALİMATLARI

- ♦ **Gönye testereler, ahşap veya benzeri malzemelerin kesilmesi için tasarlanmıştır ve demir çubuk, saplama vb. gibi demir içeren malzemelerin kesilmesi için aşındırıcı kesme diski ile birlikte kullanılamaz.** Aşınma tozu, alt muhafaza gibi hareketli parçaların sıkışmasına neden olur. Aşındırıcı kesmeler sonucu oluşan kıvılcımlar alt muhafaza, kesme plakası ve diğer plastik parçaların yanmasına neden olur.
- ♦ **Çalışma parçasını mümkün olduğu sürece kelepçelerle sabitleyin. Çalışma parçasını elle destekliyorsanız ellerinizi testere bıçağının her iki tarafına en az 100 mm mesafede tutmalısınız.** Güvenli bir şekilde kelepçelemek veya elle tutmak üzere çok küçük olan parçaları kesmek için bu testereyi kullanmayın. Elleriniz testere bıçağına çok yakın koyulursa bıçakla temas sonucu yaralanma riski artabilir.
- ♦ **Çalışma parçası hareketsiz olmalı ve kelepçeye sabitlenmelidir veya hem kesme kılavuzuna hem de tablaya tutturulmalıdır. Çalışma parçasını bıçağına yönlendirme veya kesme işlemini kesinlikle elle yapmayın.** İyi sabitlenmemiş veya hareket eden çalışma parçaları yüksek hızla fırlatarak yaralanmalara neden olabilir.
- ♦ **Testereyi çalışma parçasına ittirin. Testereyi çalışma parçasına doğru çekmeyin. Bir kesim yapmak için testere kafasını kaldırın ve kesme yapmadan önce çalışma parçasının üzerine çekin, motoru çalıştırın ve testereyi çalışma parçasına ittirin.** Çekerek kesim yapılması testere bıçağının çalışma parçasının üst kısmına tırmanmasına ve bıçak düzeneğinin kullanıcuya doğru çok sert şekilde fırlamasına neden olabilir.
- ♦ **Kesinlikle ellerinizi testere bıçağının ön veya arka tarafındaki kesim hattına doğru uzatmayın.** Çalışma parçasını "çapraz elle" yani testere bıçağının sağ tarafındaki çalışma parçasını sol elle tutmak veya tersi şekilde tutmak çok tehlikelidir.
- ♦ **Bıçak dönerken ahşap parçalarını temizlemek veya diğer herhangi bir nedenle herhangi elinizi kesme kılavuzunun arkasında testere bıçağına 100mm'den daha fazla yaklaştırmayın.** Ellerinizin dönen testere

biçağın yakınlığı anlaşılabilir ve ciddi şekilde yaralanmanıza neden olabilir.

- ♦ **Kesmeden önce çalışma parçasını kontrol edin.** Çalışma parçası eğilmiş veya bükülmüşse, parçayı dışa eğilmiş kısmı kılavuza bakacak şekilde kelepçeleysin. Kesim hattı boyunca çalışma parçası, kesme kılavuzu ve tabla arasında herhangi bir boşluk bulunmadığından daima emin olun. Eğilmiş veya bükülmüş çalışma parçaları kıvrılabilir veya yönü değişebilir ve kesim sırasında döner testere biçağının üstüne gelebilir. Çalışma parçası üzerinde herhangi bir çivi veya yabancı nesne bulunmamalıdır.
- ♦ **Tabla üzerinde, çalışma parçası haricindeki tüm aletler, ahşap parçaları kaldırılana kadar testereyi kullanmayın.** Dönen biçağa temas eden, ufak kir birikintileri, gevşek ahşap parçaları veya diğer nesnelere yüksek hızla fırlayabilir.
- ♦ **Tek seferde sadece bir çalışma parçasını kesin.** Birikmiş birden fazla çalışma parçalarını yeterince iyi kelepçelenemez veya kavranamaz ve kesme sırasında bıçak üzerindeki dengeyi kaybedebilir veya yerinden kayabilir.
- ♦ **Gönye testerenin kullanılmadan önce düz ve sabit bir iş yüzeyine monte edildiğinden veya koyulduğundan emin olun.** Düz ve sabit bir iş yüzeyi gönye testerenin dengesiz hale gelmesini riskini azaltır.
- ♦ **İşinizi planlayın.** Gönye veya zıvana açısı ayarını değiştirmek istediğiniz her seferinde ayarlanabilir kesme kılavuzun çalışma parçasını destekleyecek şekilde doğru ayarlandığından ve bıçak veya muhafaza sistemiyle temas etmediğinden emin olun. Aleti çalıştırmadan ve tabla herhangi bir çalışma parçası bulunmadan önce kesme kılavuzla herhangi bir girişim veya kılavuza kesme tehlikesi bulunmadığından emin olmak için testere biçağını tam olarak önceden belirlenmiş bir kesime doğru hareket ettirin.
- ♦ **Tabla üstünden daha geniş veya uzun bir çalışma parçası için tabla uzantıları, testere tezgahları vb. gibi yeterli desteği sağlayın.** Gönye testere tablasından daha geniş veya uzun çalışma parçaları sağlam desteklenmezse devrilebilir. Eğer kesilen parça veya çalışma parçası devrilirse, alt muhafazayı kaldırabilir veya dönen bıçak tarafından fırlatılabilir.
- ♦ **Başka bir insanı bir tabla uzantısı yerine veya ilave destek olarak kullanmayın.** Çalışma parçası için dengesiz destek kesme işlemi sırasında biçağın tutukluk yapmasına veya çalışma parçasının sizi veya yardım eden kişiyi döner biçağa çekecek şekilde kaymasına neden olabilir.
- ♦ **Kesilen parça hiçbir şekilde döner testere biçağına sıkıştırılmamalı veya bastırılmamalıdır.** Örneğin, uzunluk sınırları kullanılan dar alanlarda kesilen parça biçağa takılabilir ve şiddetli bir şekilde fırlayabilir.

- ♦ **Daima demir çubuk veya boru gibi yuvarlak malzemeleri doğru şekilde desteklemek için tasarlanmış bir kelepçe veya sabitleyici kullanın.** Demir çubuklar kesim sırasında yuvarlanma eğilimine sahiptir, bu da biçağın "karpasına" ve çalışma parçasını enizle birlikte biçağa çekmesine neden olabilir.
- ♦ **Biçağın çalışma parçasına temas etmeden önce tam hıza ulaşmasını sağlayın.** Bu durum çalışma parçasının fırlaması riskini azaltacaktır.
- ♦ **Çalışma parçası veya bıçak sıkışırsa gönye testereyi kapalı konuma getirin.** Tüm hareketli parçaların durmasını bekleyin ve fişini güç kaynağından çekin ve/veya aküyü çıkartın. Ardından sıkışan malzemeyi serbest bırakmaya çalışın. Sıkışmış bir malzemeyle kesme işlemine devam edilmesi kontrolün kaybedilmesine veya gönye testerenin hasar görmesine neden olabilir.
- ♦ **Kesme işlemi tamamlandıktan sonra, düğmeyi serbest bırakın, testere kafasını aşağı eğin ve kesilen parçayı çıkartmadan önce biçağın durmasını bekleyin.** Ellerinizi boşta döner biçağa yaklaştırmaması tehlikelidir.
- ♦ **Tamamlanmamış bir kesim yaparken veya testere kafası tam olarak aşağı konumda olmadan önce düğmeyi serbest bırakırken kolu sıkıca tutun.** Testerenin frenleme eylemi testere kafasının aniden aşağıya düşmesine ve bir yaralanma riski oluşmasına neden olabilir.

GÖNYE TESTERELER İÇİN EK GÜVENLİK TALİMATLARI

- ♦ Alet, yalnızca imalatçı veya yetkili servis temsilcisi tarafından değiştirilebilecek özel olarak yapılandırılmış bir güç kablosu ile birlikte temin edilir.
- ♦ Testereyi üreticinin önerdiği malzemeler dışındaki malzemeleri kesmek için kullanmayın.
- ♦ Muhafazalar yerinde değilse, çalışmıyorsa veya düzgün bir şekilde bakımı yapılmıyorsa aleti çalıştırmayın.
- ♦ Zıvanalı kesimler yaparken kolun sıkıca takıldığından emin olun.
- ♦ Aletin çevresinin bakımını yapın ve dağılan kıymıklardan ve kesilmiş parçalardan arındırın.
- ♦ Doğru şekilde bileyenmiş bıçakları kullanın. Testere biçağında belirtilen maksimum hıza riayet edin.
- ♦ Çalışmaya başlamadan önce tüm kilitleme düğmelerinin ve kollarının sabit olduğundan emin olun.
- ♦ Testere elektrikli güç kaynağına bağlı olduğunda ellerinizi bıçak bölgesinin üzerine asla koymayın.
- ♦ Biçağa bir alet veya başka bir araç takıldığında hızlı bir şekilde çalışırken aleti durdurmayın; ciddi kazalar meydana gelebilir.
- ♦ Herhangi bir aksesuarı kullanmadan önce kılavuza bakın. Bir aksesuarın uygunsuz kullanımı hasara yol açabilir.

- ◆ Testere biçaygıyla işlem yaparken tutucu veya eldiven kullanın.
- ◆ Kullanmadan önce testere biçaygının doğru şekilde takıldığından emin olun.
- ◆ Biçaygın doğru yönde döndüğünden emin olun.
- ◆ Oluk açarken çok dikkatli olun.
- ◆ Tavsiye edilenden daha büyük veya daha küçük çaplarda bıçak kullanmayın. Uygun bıçak hızı için teknik verilere bakın. Sadece bu kılavuzda belirtilen, EN 847-1 ile uyumlu bıçakları kullanın.
- ◆ Özellikle gürültüyü azaltmak üzere tasarlanmış bıçakları kullanmayı göz önünde bulundurun.
- ◆ HSS bıçakları kullanmayın.
- ◆ Kırık veya hasarlı testere bıçaklarını kullanmayın.
- ◆ Herhangi aşındırıcı veya elmas diskleri kullanmayın.
- ◆ Testereyi kesme plakası olmadan çalıştırmayın.
- ◆ Açma/kapama düğmesini bırakmadan önce kesilen parçanın içindeki biçaygı kesme plakasından kaldırın.
- ◆ Motor milini tutmak için fana bir şey sıkıştırmayın.
- ◆ Kol aşağı getirildiğinde testerenizin bıçak muhafazası otomatik olarak yukarı kalkar; kaldırıldığında ise biçaygın üzerinden iner.
- ◆ Alet kapalı değilse bıçak muhafazasını elle kaldırmayın. Testere bıçakları takılıp çıkarılırken veya testerenin incelenmesi için muhafaza elle kaldırılabilir.
- ◆ Motorun hava deliklerini düzenli olarak temizleyin ve kıymıklardan arındırın.
- ◆ Kesim plakası aşınmışsa değiştirin. Ürünle verilen servis parçaları listesine bakın.
- ◆ Herhangi bir bakım yapmadan veya biçaygı değiştirmeden önce aleti fişten çekin.
- ◆ Alet çalışırken ve testere kafası durma konumunda değilken, hiçbir şekilde herhangi bir temizlik veya bakım işlemi yapmayın.
- ◆ Mümkünse aleti bir tezgaha monte edin.
- ◆ Muhafazanın ön kısmı kesim yaparken görüntü rahatlığı sağlamak için panjurlanmıştır. Panjurların uçan parçacıkları önemli ölçüde azaltmasına karşın, koruma üzerinde boşluklar bulunur ve panjurdan bakarken her zaman güvenlik gözlükleri takılmalıdır.
- ◆ Ahşap keserken testereyi toz toplama cihazına bağlayın. Aşağıda belirtilenler gibi, toza maruz kalma riskini etkileyen faktörleri her zaman göz önünde bulundurun:
 - işlenecek malzeme türü (yonga levha ahşaptan daha fazla toz üretir);
 - testere biçaygının keskinliği;
 - testere biçaygının doğru şekilde ayarlanması,
 - 20 m/s'den daha az olmayan hava hızına sahip elektrik süpürge.
- ◆ Bacalar, bölmeler ve olukların yanı sıra yerel havalandırmanın da gerektiği gibi ayarlandığından emin olun.
- ◆ Lütfen, aşağıdakilere maruz kalma riskini etkileyen faktörlerin farkında olun ses:
 - çıkan sesi azaltmak üzere tasarlanmış testere bıçaklarını kullanın;
 - yalnızca iyi bilenmiş testere bıçaklarını kullanın;
- ◆ Makine bakımı belirli aralıklarla yapılmalıdır;
- ◆ Muhafazaları veya testere biçaygı dahil olmak üzere aletle ilgili arızalar fark edilir edilmez rapor edilecektir;
- ◆ Yeterli genel veya bölgesel ışıklandırma temin edin;
- ◆ Kullanıcının, aletin kullanımı, ayarı ve işleyişi ile ilgili yeterli eğitime sahip olduğundan emin olun;
- ◆ Kullanılan aralayıcılar ve mil halkalarının bu kılavuzda belirtilen amaçlara uygun olduğundan emin olun.
- ◆ Alet çalışırken ve testere kafasının bekleme konumunda olmadığı durumlarda üzerinde çalışılan parçanın kesilen kısımlarını veya diğer parçalarını kesim alanından çıkarmaya çalışmayın.
- ◆ 30 mm'den kısa parçaları asla kesmeyin (Şekil 34).
- ◆ Ek destek olmadığı durumlarda aletin kabul edeceği maksimum parça boyutu:
 - Yükseklik 75 mm, genişlik 140 mm, uzunluk 460 mm
 - Daha uzun parçaların uygun ek tabla ile desteklenmesi gerekir. Çalışma parçasını her zaman güvenli bir şekilde kelepçeleysin.
- ◆ Kaza veya alet arızası durumunda, makineyi hemen kapatıp güç kaynağıyla bağlantısını kesin.
- ◆ Arızayı rapor edin ve arızalı aleti, başkaları tarafından kullanılmaya çalışılmasını önlemek için uygun şekilde işaretleyin.
- ◆ Testere biçaygı kesim sırasında anormal parça besleme kuvveti nedeniyle bloke olursa, aleti kapatıp güç kaynağıyla bağlantısını kesin. Üzerinde çalıştığınız parçayı çıkarın ve testere biçaygının rahatça döndüğünden emin olun. Aleti açın ve daha az parça besleme kuvveti uygulayarak yeni kesim işlemini başlatın.
- ◆ Özellikle magnezyum olmak üzere hafif alaşım malzemeleri asla kesmeyin.
- ◆ Durumun izin verdiği hallerde, aleti civatalar kullanarak tezgaha monte edin.

DİĞER TEHLİKELER

Aşağıda sıralanan riskler testerelemin kullanımına özgü risklerdir:

- aletin dönen parçalarına dokunma sonucu ortaya çıkan yaralanmalar

Emniyet tedbirlerini düzenleyen yönetmeliğin uygulanmasına ve emniyet sağlayıcı aygıtların kullanılmasına rağmen, başka belirli risklerden kaçınılamaz. Bunlar:

- Duyuma bozukluğu.
- Döner testere bıçağının açık parçalarından kaynaklanan kaza riski.
- Bıçağı değiştirirken yaralanma riski.
- Muhafazaları açarken parmakların sıkışma riski.
- Özellikle meşe, akgürgen ve MDF olmak üzere ahşap keserken meydana gelen tozun yutulması sonucu oluşan sağlık sorunları.

Aşağıdaki etmenler, solunum sorunları riskini artırır:

- ♦ Ahşap keserken toz toplama elemanının bağlanmaması.
- ♦ Kirli egzoz filtreleri nedeniyle yetersiz toz toplama.

ELEKTRİK GÜVENLİĞİ

Bu alet, sadece tek bir gerilim ile çalışacak şekilde ayarlanmıştır. Her zaman şebeke geriliminin aletin üretim etiketinde belirlenmiş değerlere uyup uymadığını kontrol edin.



Stanley aletiniz çift yalıtımlıdır; bu yüzden hiçbir topraklama kablosuna gerek yoktur

Güç kablosu hasarlıysa, STANLEY yetkili servisinden temin edilebilen özel olarak hazırlanmış bir kabloyla değiştirilmelidir.

UZATMA KABLOLARININ KULLANIMI

Bir uzatma kablosu gerekli ise, bu aletin elektrik girişine uygun (Teknik Özelliklere bakın), onaylı bir 3 telli uzatma kablo kullanın. Minimum iletken boyutu 1,5 mm²'dir; maksimum uzunluk 30 m'dir.

İletken boyutu (mm ²) Kablo gücü (Amper)	İletken boyutu (mm ²) Kablo gücü (Amper)
0.75	6
1.00	10
1.50	15
2.50	20
4.00	25

Kablo uzunluğu (m)						
	7.5	15	25	30	45	60

Voltaj	Amper	Kablo gücü (Amper)					
		6	6	6	6	6	10
110-127	0 - 2.0	6	6	6	6	15	15
	2.1 - 3.4	6	6	10	15	20	20
	3.5 - 5.0	10	10	15	20	20	25
	5.1 - 7.0	15	15	20	25	25	-
	7.1 - 12.0	20	20	25	-	-	-
230	0 - 2.0	6	6	6	6	6	6
	2.1 - 3.4	6	6	6	6	10	15
	3.5 - 5.0	6	6	6	6	10	15
	5.1 - 7.0	10	10	10	10	15	15
	7.1 - 12.0	15	15	15	15	20	20
	12.1 - 20.0	20	20	20	20	25	-

ALET ÜZERİNDEKİ ETİKETLER

Aletin etiketinde aşağıdaki semboller bulunabilir:

	UYARI! Yaralanma riskini en aza indirmek için kullanıcı kullanım talimatlarını mutlaka okumalıdır.		
	Koruyucu gözlük takın.		
	Kulaklık takın.		
	Toz maskesi takın.		
V	Volt		Doğru akım
A	Amper	n_0	Yüksüz hızı
Hz	Hertz		Çift yalıtım
W	Watt		Topraklı terminal
min	dakikalar		Güvenlik uyarı sembolü
	Dalgalı akım	/min.	Dakikada devir veya darbe sayısı

Tarih kodu konumu

İmalat yılını da içeren Tarih Kodu gövdeye basılıdır.

Örnek:

2017 XX JN

İmalat Yılı

AMBALAJ, AŞAĞIDAKİ PARÇALARI İÇERMEKTEDİR

- 1 Gönye testere
- 1 Anahtar cebinde saklanan bıçak anahtarı
- 1 Testere bıçağı
- 1 Toz torbası
- 1 Dik mengene
- 1 Arka destek
- 1 Kullanım kılavuzu
- ♦ Alette, parçalarda veya aksesuarlarda nakliye sırasında meydana gelmiş olabilecek hasarı kontrol edin.
- ♦ Aleti çalıştırmadan önce, bu kullanım kılavuzunu baştan sonra okuyup anlamak için gerekli zamanı ayırın.

Açıklama (Şekil 1, 2, 3, 5, 6, 12, 23, 27, 28)

UYARI: Hiçbir zaman elektrikli aleti veya herhangi bir parçasını değiştirmeyin. Hasarla veya yaralanmayla sonuçlanabilir.

- a. Çalıştırma kolu
- b. Alt muhafaza
- c. Sağ kesme kılavuzu
- d. Tabla
- e. Gönye sıkıştırma topuzu
- f. Gönye skalası
- g. Taban
- h. Uzatma topuzu
- i. Anahtar
- j. Tezgah bağlama delikleri
- k. Kesme kılavuzu sıkıştırma topuzu
- l. Açma/kapama tetik düğmesi
- m. Taşıma kolu
- n. Toz ağız
- o. Kilitleme pimi
- p. Zivana kelepçe kolu
- q. Zivana skalası
- r. El girintisi
- s. Kesme plakası
- t. Gönye mandalı
- u. Tarih kodu
- v. Sol kesme kılavuzu
- w. Arka kapağı
- x. Mil kilidi düğmesi
- y. Asma kilit deliği
- z. Açı konumu engeli

- aa. Zivana konumu ayar engeli
- bb. LED açma/kapama düğmesi
- cc. Dikey konum ayar engeli
- dd. Kilitleme kolu
- Ee. Uzunluk sınırları
- ff. Toz torbası
- gg. Dik mengene
- hh. Gönye sıkıştırma geçici nakliye civatası
- ii. İş desteği
- jj. Kesme kılavuzu vidası
- mm.Arka destek
- aaa. Arka sap
- bbb. Döner tabla kolu desteği
- ccc. İş desteği sıkıştırma topuzu
- ddd. Ray sıkıştırma topuzu
- fff. Zivana kilitleme düğmesi
- ggg. Kayma durdurma düğmesi

MONTAJ VE AYARLAMA

UYARI: Yaralanma riskini azaltmak için aksesuarları takıp çıkarmadan önce, ayarlarla oynamadan veya değiştirmeden önce ya da tamir yaparken aleti kapatın ve makineyi güç kaynağından ayırın. Tetik düğmesinin kapalı konumda olduğunu kontrol edin. Aletin yanlışlıkla çalıştırılması yaralanmaya neden olabilir.

Paketi açma (Fig. 2, 4, 5, 6)

- ♦ Testereyi, taşıma kolundan (m) tutarak dikkatli bir şekilde ambalajından çıkartın.
- ♦ Arka desteği (mm) tabanın (g) arkasına monte etmek için aletle birlikte verilen anahtarı (i) kullanın.
- ♦ Şekilde gösterildiği gibi çalıştırma kolunu (a) hafifçe aşağı bastırın ve kilitleme pimini (o) çekin.
- ♦ Aşağı doğru uygulanan baskıyı hafifletin ve kesme kafasının tam yüksekliğine kalkmasına izin verin.

Tezgaha montaj (Şekil 7)

- ♦ Tezgaha monte etmeyi kolaylaştırmak için dört ayakta da delikler (j) mevcuttur. Hareket etmesini önlemek için testerenizi her zaman sağlam bir şekilde monte edin. Taşınabilirliği iyileştirmek için, alet, daha sonra çalışma tezgahına kelepçelenebilecek veya başka alanlara taşınıp orada kelepçeyle sabitlenebilecek 15 mm veya daha ince bir kontrplak parçasının üzerine monte edilebilir.
- ♦ Testereyi yukarıda anlatıldığı şekilde kontrplak parçasına kelepçelerken, kelepçeleme vidalarının plakanın altından çıkmamasına dikkat edin. Kontrplak, çalışma tezgahının üzerine düz bir şekilde oturabilmelidir. Testereyi herhangi bir çalışma tezgahına kelepçelerken, mingeneleri, kelepçeleme deliklerinin

bulunduğu sıkıştırma göbeklerine yerleştirin. Mengenerlerin bu göbeklerin dışındaki noktalara yerleştirilmesi testerenin çalışmasını olumsuz etkileyecektir.

- ♦ Testere bıçağının kesilen malzemede sıkışması ya da kesim hatalarının önlenmesi için testerenin yerleştirildiği yüzeyin engebeli olmamasına dikkat edin. Testere tezgah üzerinde oynuyorsa, testere ayağının altına ince bir malzeme parçası yerleştirerek testerenin tezgah yüzeyi üzerinde sabit durmasını sağlayın.

Testere bıçağının takılması (Şekil 8, 9, 10)



UYARI: Yaralanma riskini azaltmak için aksesuarları takip çıkarmadan önce, ayarlarla oynamadan veya değiştirmeden önce ya da tamir yaparken aleti kapatın ve makineyi güç kaynağından ayırın. Tetik düğmesinin kapalı konumda olduğunu kontrol edin. Aletin yanlışlıkla çalıştırılması yaralanmaya neden olabilir.

- ♦ Bıçak güç altındayken veya boşta dönerken mil kilidine asla basmayın.
- ♦ Hafif alaşım veya demir içeren (demir veya çelik içeren) metalleri, duvarları veya lifli çimento ürünlerini bu gönye testerede kesmeyin.
- ♦ Farklı malzemelere uygun olan bıçak kullanılmalıdır.
 1. Alt muhafaza kaldırılmış konumda tutulurken muhafaza desteği (ll), bıçak kilitleme vidasına (nn) erişmek için yeterince yükselene kadar muhafaza destek vidasını (kk) gevşetin.
 2. Bir elinizle mil kilidi düğmesine (x) basın, ardından diğer elinizle aletle birlikte verilen anahtar (i) kullanarak soldan dışı bıçak kilitleme vidasını (nn) saat yönünde çevirerek gevşetin.



UYARI: Kilidi devreye almak için mil kilit düğmesine basın ve mili artık daha fazla döndüremeyecek duruma gelene dek döndürün.

Milin dönmelerini önlemeye devam etmek için kilit düğmesini basılı tutmaya devam edin.

3. Bıçak kilitleme vidasını (nn) ve dış mandrel bileziğini (pp) çıkartın.
4. Testere bıçağını (oo), iç mandrel bileziğinin (rr) tam karşısında bulunan bıçak adaptörüne takın; bu işlem sırasında bıçağın alt kenardaki dişlerin testerenin arkasına (kullanıcıdan uzağa) baktığından emin olun.
5. Dış mandrel bileziğini (pp) takın.
6. Bıçak kilitleme vidasını (nn), mil kilidini bir elinizle kenetli konumda tutarken diğer elinizle saatın aksi yönde döndürerek dikkatli bir şekilde sıkın.
7. Muhafaza desteğini (ll) orijinal konumuna getirin ve desteği yerinde tutmak için muhafaza destek vidasını (kk) iyice sıkın.



UYARI! Testere bıçağının yalnızca açıklanan şekilde değiştirilmesi gerektiğini unutmayın. Yalnızca Teknik Özellikleri bölümünde belirtilen testere bıçaklarını kullanın.



UYARI! Testereyi çalıştırmadan önce, muhafaza desteğinin orijinal konumuna geri gelmesi ve vidanın (kk) sıkılması gerekmektedir.



UYARI! Bunun yapılmaması muhafazanın dönen testere bıçağıyla temas edip, testereye zarar verilmesine ve ağır kişisel yaralanmaya sebep olacaktır.

Gönye testereniz üretim zamanında fabrikada tamamen ve doğru bir biçimde ayarlanmıştır. Bu ayarın nakliyat ve taşıma ya da başka bir nedenle yeniden yapılması gerekirse, testerenizin ayarlanması için aşağıdaki adımları uygulayın. Bir kez yapıldığında, bu ayarlamalar sabit kalmalıdır.

Gönye ölçeğinin kontrol edilmesi ve ayarlanması (Fig. 11, 12, 13)

1. Gönye sıkıştırma topuzunu (e) serbest bırakın ve döner tablayı açtırmak için gönye mandalına (t) basın. Döner tablayı, mandal 0° gönye konumuna gelene kadar hareket ettirin. Gönye sıkıştırma topuzunu (e) kilitlemeyin.
2. Bıçak kesme plakasına (s) girene kadar testere kafasını indirin.
3. Sol kılavuzun (v) ve bıçak (oo) arasına bir köşebent (tt) yerleştirin (oo) (Fig. 11).



UYARI: Köşebentin bıçak dişlerinin uçlarına temas etmemesine özen gösterin.

Ayarlama gerekiyorsa, aşağıdaki talimatlara göre hareket edin:

4. Gönye sıkıştırma topuzunu (e) sıkın. Kesme kılavuzu sıkıştırma topuzunu (k) gevşetin, sol kesme kılavuzunu (v) ve sağ kesme kılavuzunu (c) çıkartın.
5. Kesme kılavuzunun arkasındaki 4 adet altıgen civatayı gevşetin, taban kesme kılavuzunu köşebende (tt) göre gerektiği şekilde ayarlayın.
6. Altıgen civataları sıkın ve kenar kesme kılavuzunu yerleştirin.

Bıçağın tablaya göre kontrol edilmesi ve ayarlanması (Şekil 14, 15, 16)

1. Zivana kelepçe kolunu (p) gevşetin.
2. Döner tablayı, dikey konum ayar engelinin (cc) karşısında yer alan açılı konum engelene tam dikey olduğundan emin olmak için sağa doğru bastırın ve zivana kelepçe kolunu sıkıştırın.
3. Bıçak kesme plakasına (s) girene kadar testere kafasını indirin.
4. Tabla üzerine bıçağa (oo) temas edecek şekilde bir köşebent (tt) yerleştirin (Şekil 15).



UYARI: Köşebendin bıçak dişlerinin uçlarına temas etmemesine özen gösterin.

Ayarlama gerekiyorsa, aşağıdaki talimatlara göre hareket edin:

5. Kilit somununu (ww) birkaç kez döndürerek gevşetin ve açılı konumu durdurma zıvana konumu ayar durdurmanın üstüneyken göstergesi (xx) 45°-45° gösterene kadar, zıvana konumu ayarlama durdurma vidasını (cc) gerektiği kadar içe veya dışa doğru çevirin.
6. Durdurma vidasını (cc) hareketsiz tutarken kilit somununu (ww) sağlam bir şekilde sıkıştırın.
7. Zıvana skalası (q) üzerinde zıvana göstergesi (xx) sıfırını göstermiyorsa, göstergesi sabitleyen vidayı (yy) gevşetin ve göstergesi gerektiği şekilde hareket ettirin.

Kesme kılavuzunun ayarlanması (Şekil 17)

Kesme kılavuzunun üst kısmı, testerenin 48° sola ve 0° sağa eğilmesine izin verecek şekilde boş alan sağlamak için ayarlanabilir.

Sol kesme kılavuzunun (v) ayarlanması ve sağ kesme kılavuzu (c)

1. Plastik topuzu (k) gevşetin ve kesme kılavuzunu sola kaydırın.
2. Alet kapalıyken bir yüksüz çalışma yapın ve gereken açıklığı kontrol edin.
3. Topuzu güvenli bir şekilde sıkın.



UYARI: Kılavuz kanalları (zz) testere tozuyla tıkanabilir. Kılavuz kanallarını temizlemek için bir çita veya düşük basınçlı hava kullanın.

Zıvana açısının kontrol edilmesi ve ayarlanması (Şekil 17, 18, 19)

1. Sol kesme kılavuzunun sıkıştırma topuzunu (k) gevşetin ve sol kılavuzun üst kısmını sola doğru gidebildiği kadar kaydırın.
2. Zıvana kelepçe kolunu (p) gevşetin ve testere kolunu sola 45°'lik zıvana konumuna kaydırın.

Ayarlama gerekiyorsa, aşağıdaki talimatlara göre hareket edin:

3. Kilit somununu (ww) birkaç kez döndürerek gevşetin ve açılı konumu engeli (z) zıvana konumu ayar engelinin üstüneyken göstergesi (xx) 45° gösterene kadar, zıvana konumu ayar engeli vidasını (aa) gerektiği kadar içe veya dışa doğru çevirin.
4. Engel vidasını (aa) hareketsiz tutarken kilit somununu (ww) sağlam bir şekilde sıkıştırın.
5. 0° sağa veya 45° sola zıvana elde etmek için, iki ayar engeli vidası, döner tablanın gerektiği gibi hareket etmesini sağlayacak şekilde ayarlanmalıdır.

Derinlik ayarının ayarlanması (Olukları keserken) (Şekil 20)

Olukları kesmek için bu işlem gereklidir

- Derinlik ayarı plakasını (hhh) Şekil 20'de gösterildiği gibi hareket ettirin.
- Ana kolu tutarak testere kafasını istenen oluk derinliğine ulaşılana konuma eğin.
- Ayar vidasını (ss) saat yönünde çevirerek vidanın ucu muhafaza durdurma noktasına temas edene kadar çevirin.
- Alet kolunu yavaşça yukarıya kaldırın.

Oluklar kesildikten sonra derinlik ayarını orijinal konumuna getirin.

Testere bıçağının tabanını veya kesme plakasının hiçbir yerine temas etmediğinden emin olun.

Muhafazayı çalıştırma ve görüntü rahatlığı

Testerenin üzerindeki bıçak muhafazası, kol aşağıya çekildiğinde otomatik olarak yukarıya kalkmak ve kol yukarıya itildiğinde bıçağa doğru inmek üzere tasarlanmıştır.

Testere bıçakları takılıp çıkarılırken veya testerenin incelenmesi için muhafaza elle kaldırılabilir. TESTEREYİ KAPATMADAN BIÇAK MUHAFAZASINI ELLE KALDIRMAYIN.

NOT: Bazı özel kesimlerde korumayı elle kaldırmamız gerekecektir. Muhafazanın ön kısmı, kesim sırasında görünürlük için panjurludur. Panjurların uçan parçacıkları önemli ölçüde azaltmasına karşın, koruma üzerinde boşluklar bulunur ve panjurdan bakarken her zaman güvenlik gözlükleri takılmalıdır.

Otomatik elektrikli fren

Testerenizde, tetiğin bıraktıktan sonra 5 saniye içinde testere bıçağını durduran otomatik bir elektrikli bıçak freni vardır. Bu özellik ayarlanamaz.

Bazı durumlarda, tetiğin serbest kalmasından sonra frenin devreye girmesine kadar bir gecikme olabilir. Seyrek olarak, fren hiç devreye girmeyebilir ve bu durumda bıçak durana kadar dönecektir.

Gecikme veya "atılma" durumunda, testereyi 4 veya 5 kez açıp kapatın. Bu durum devam ederse, aletin yetkili bir STANLEY servisi tarafından kontrol edilmesini sağlayın.

Bıçağı kesme plakasından çıkarmadan önce, durmuş olduğundan her zaman emin olun. Fren, muhafazaların yerine veya tüm dikkatinizi testereye vererek kendi güvenliğinizi sağlamak üzere kullanılabilir bir şey değildir.

Kesme plakasının ayarı

Kesme plakalarını ayarlamak için, kesme plakalarını yerinde tutan vidaları gevşetin. Kesme plakalarını, bıçağın hareketine müdahale etmeden mümkün olduğunca yakın ayarlayın.

Kömürler (Şekil 1)



UYARI: Ciddi yaralanma riskini azaltmak için aleti taşımadan, parça veya aksesuarları söküp takmadan veya herhangi bir ayar yapmadan önce aleti kapatın ve güç kaynağından ayırın.

Aleti güç kaynağından ayırın ve yay tahrikli kömür takımını tutan kömür tutucu kapağını (W) sökerek kömürleri inceleyin. Kömürler temiz olmalıdır ve kömür yuvası içinde serbestçe kaymalıdır. Kullanılmış kömürü her zaman, çıkardığınız şekilde, aynı yönde yerleştirin.

Alet kullanılmadan önce 10 dakika yüksüz çalışmalıdır. Kömürler doğru şekilde oturuncaya kadar elektrikli fren, çalışma sırasında düzensiz olabilir.

Ray sıkıştırma topuzu (Şekil 2)

Ray sıkıştırma topuzu (ddd), testere kafasını raylar üzerinde kayma olmadan sıkıca kilitlemenizi sağlar. Belirli kesimler yapılırken veya testereyi taşıırken bu gereklidir.

Kayma durdurma (Şekil 21)

Kayma durdurma (ggg), testere raylarını mümkün olan en büyük dikey kalıpların kesilebileceği şekilde konumlandırır. KAYMA SİSTEMİNİNİN BEKLENMEDİK HAREKETİNİ ÖNLEMEK İÇİN DAİMA KAYMA DURDURMAYI KULLANARAK RAY SIKIŞTIRMA TOPUZUNU SIKIŞTIRIN

Kilitleme pimi

Testere kafasını aşağı konumda kilitlemek için, kafayı aşağı doğru bastırın, pimi (o) içeri itin ve testere kafasını serbest bırakın. Bu, testereyi bir yerden bir yere taşımak için testere kafasını güvenli bir şekilde aşağıda tutar. Serbest bırakmak için testere kafasını aşağı bastırın ve pimi dışarı çekin.

KULLANIM



UYARI: Güvenlik talimatlarına ve geçerli yönetmeliklere daima uyun.



UYARI: Ciddi yaralanma riskini azaltmak için herhangi bir ayar yapmadan ya da parça veya aksesuarları söküp takmadan önce aleti kapatın ve güç kaynağından ayırın.

Aletin, tezgah yüksekliği ve denge açısından ergonomik durumunuza uygun şekilde yerleştirildiğinden emin olun. Aletin yerleştirileceği bölge, kullanıcının görüş açısının iyi olmasını ve üzerinde çalışma parçasının herhangi bir sınırlama olmaksızın ele alınmasına olanak tanıyacak yeterli serbest alan bulunmasını sağlayacak şekilde seçilmelidir.

Titreşim etkilerini azaltmak için ortam sıcaklığının çok düşük olmadığından, alet ve aksesuar bakımının iyi yapıldığından ve üzerinde çalışılan parça boyutunun bu alete uygun olduğundan emin olun.

Çalıştırmadan Önce

- ♦ Uygun bir testere bıçağını takın. Aşırı yıpranmış testere bıçakları kullanmayın. Aletin azami dönüş hızı testere bıçakların azami hızını aşmamalıdır.
- ♦ Çok küçük parçaları kesmeye çalışmayın.
- ♦ Bıçağın serbestçe kesmesine olanak tanıyın.

Zorlamayın.

- ♦ Kesime başlamadan önce motorun tam hıza ulaşmasını bekleyin.
- ♦ Tüm kilitleme topuzlarının ve kollarının sıkı olduğundan emin olun.
- ♦ Üzerinde çalıştığınız parçayı sabitleyin.
- ♦ Sahip olduğunuz testere, tahta ve birçok demir içermeyen malzemeyi kesmek için kullanılabilmese karşın bu çalışma talimatları sadece tahta kesimini açıklamaktadır. Aynı talimatlar diğer malzemeler için de geçerlidir. Bu testereyle demir içeren (demir ve çelik) malzemeleri veya taş işlerini kesmeyin! Aşındırıcı diskleri kullanmayın!
- ♦ Her zaman kesme plakasını kullanın. Kesme yuvası 10 mm'den daha geniş olduğunda aleti kullanmayın.

Açılması ve kapatılması (Şekil 23)

Testereyi çalıştırmak için kilitleme kolunu (dd) sola itin ve açma/kapama tetik düğmesine (l) basın. Tetik basılıyken testere çalışacaktır. Kesimi yapmadan önce bıçağın tam çalışma hızına ulaşmasına izin verin. Aleti kapatmak için, tetiği bırakın. Testere kafasını kaldırmadan önce bıçağın durmasını bekleyin. Aleti kesintisiz çalıştırmak için bir düzen yoktur. Tetiği kilitlemek için bir asma kilidinin takılması için tetikte bir delik (y) bulunmaktadır.

LED aydınlatma sistemi (Şekil 1, 23)

LED aydınlatma sistemi açma/kapama düğmesi (bb) ile donatılmıştır. LED aydınlatma sistemi, gönye testere tetiğinden bağımsızdır. Testereyi çalıştırmak için aydınlatmanın yanmasına gerek yoktur.

Bir tahta parçası üzerindeki kalem çizgisine göre kesmek için:

1. istemi açın ve testere bıçağını tahtaya yaklaştırmak için çalıştırma kolunu (a) aşağı çekin. Bıçağın gölgesi ahşapta görünecektir.
2. Kalem çizgisini bıçağın gölgesinin kenarıyla hizalayın. Kalem çizgisine tam olarak uyması için gönye veya zivana açılarını ayarlamaz gerekebilir.

Vücut ve el pozisyonu

Gönye testereyi kullanırken vücut ve ellerinizin doğru pozisyonda bulunması, kesimi daha kolay, düzgün ve güvenli kılacaktır.

- ♦ Ellerinizi hiçbir zaman kesme alanının yakınına koymayın.
- ♦ Ellerinizi bıçağa 150 mm'den daha fazla yaklaştırmayın.
- ♦ Kesim sırasında parçayı tablaya ve arka korkuluğa sıkıca bastırın. Ellerinizi pozisyonunu, açma/kapama düğmesi bırakılana ve bıçak tamamen durana kadar değiştirmeyin.
- ♦ Bıçağın hareket yolunu kontrol etmek için asıl kesimden önce daima (makine kapalıyken) deneme yapın.
- ♦ Ellerinizi çapraz tutmayın.
- ♦ Her iki ayağınızla yere sağlam basın ve dengenizi

muhafaza edin.

- ◆ Testere kolunu sağa ya da sola hareket ettirirken, hareketi takip edin ve testere bıçağının hafif sağında/solunda durun.
- ◆ Bir kalem çizgisini takip ederken bıçak muhafazasının üzerindeki panjurlardan bakın.

Kesme testerenle kesme

82 x 110 mm ölçüsünde (450 gönyede 82 x 74 mm) iş parçasından daha büyük herhangi bir şeyi keserken, ray sıkıştırma topuzu (ddd) gevşetilmişken dışarı ve aşağı doğru bir hareket kullanın.

Testereyi kendinize doğru çekin, testere kafasını iş parçasına doğru indirin ve kesimi tamamlamak için testereyi yavaşça geriye itin. Çekerken testerenin iş parçasının tepesine temas etmesine izin vermeyin. Testere size doğru hızla hareket edip, muhtemelen kişisel yaralanmalara yol açabilir veya iş parçasına zarar verebilir.

Kayma özelliği kullanılmıyorsa, testere kafasının mümkün olduğunca geriye itildiğinden ve ray sıkıştırma topuzunun sıkıldığından emin olun. Bu, iş parçası takıldığı zaman testerenin rayları boyunca kaymasını önleyecektir.

Not: Sahip olduğunuz testere, tahta ve birçok demir içermeyen malzemeyi kesmekte kullanılabilmesine karşın bu çalıştırma talimatları sadece tahta kesimini açıklamaktadır. Aynı talimatlar diğer malzemeler için de geçerlidir. **BU TESTEREYLE DEMİR İÇEREN (DEMİR VE ÇELİK) MALZEMELERİ, VEYA TAŞ İŞLERİNİ KESMEYİN.** Aşındırıcı diskleri kullanmayın.

Temel kesimler

Dikey düz çapraz kesim (Şekil 1, 2, 24)

NOT: İstenilen kesim kapasitesini elde etmek için her zaman 25,4 mm göbek deliğine sahip 250 mm testere bıçakları kullanın.

1. Gönye sıkıştırma topuzunu (e) serbest bırakın ve döner tablayı açtırmak için gönye mandalına (t) basın.
2. Gönye mandalını 0° konumunda sabitleyin ve gönye sıkıştırma topuzunu (e) sıkın.
3. Kesilecek tahtayı kesme kılavuzunun karşısına yerleştirin (c, v).
4. Çalıştırma kolunu (a) tutun ve kilitleme kolunu (dd) sola itin.
5. Motoru çalıştırmak için, açma/kapama tetik düğmesine (l) basın.
6. Bıçağın ahşabı kesmesi ve kesme plakasına (s) girmesi için testere kafasını bastırın.
7. Kesim işlemini tamamladıktan sonra tetiği serbest bırakın ve kafanın yukarı konuma getirmeden önce testere bıçağının tam olarak durmasını bekleyin

Dikey gönye çapraz kesim (Şekil 1, 2, 25)

1. Gönye sıkıştırma topuzunu (e) serbest

bırakın ve gönye mandalına (t) basın. Testere kafasını istenilen açığa sola veya sağa döndürün.

2. Gönye mandalı otomatik olarak 10°, 15°, 22,5°, 31,6° ve 45° konumunda yer alacaktır. Herhangi bir ara açı veya 52° gerekmesi durumunda, testere kafasını sıkıca tutun ve gönye sıkıştırma topuzunu sıkarak kilitleyin.
3. Kesimden önce her zaman gönye sıkıştırma topuzunun sıkı bir şekilde sabitlendiğinden emin olun.
4. İşe, dikey düz çapraz kesim olduğu gibi devam edin.



UYARI: Tahta parçasının sonunda küçük bir uç kesimini gönyeli keserken, tahtayı uç kesim bıçağın kesme kılavuzuna daha büyük açı yaptığı taraf ta olacak şekilde yerleştirin. Yani, sol gönye sağa uç kesim; sağ gönye, sola uç kesim.

Zıvanalı kesimler (Şekil 1, 2, 26)

Zıvana açıları 0° sağdan 45° sola kadar ayarlanabilmekte ve sıfır ile sağa veya sola maksimum 45° gönye konumu arasında ayarlı gönye topuzu ile kesilebilmektedir.

1. Sol kesme kılavuzunun sıkıştırma topuzunu (k) gevşetin ve sol kılavuzun (v) üst kısmını sola doğru gidebildiği kadar kaydırın. Zıvana kelepçe kolunu (p) gevşetin ve zıvana açısını istediğiniz gibi ayarlayın.
2. Zıvana kelepçe kolunu (p) iyice sıkın.
3. İşe, dikey düz çapraz kesim olduğu gibi devam edin.

0° Zıvana geçersiz kılma (Şekil 27)

Zıvana durdurma geçersiz kılma, testereyi 0° pozisyonundan sağa eğmenize izin verir. Devreye girdiğinde, soldan getirildiğinde testere otomatik olarak 0°'de durur. 0°'yi geçici olarak sağa kaydırmak için, zıvana kilitleme düğmesini (fff) çekin. Düğme serbest bırakıldığında, geçersiz kılma yeniden yapılandırılır. Zıvana kilitleme düğmesi, düğmeyi 90° döndürerek kilitlenebilir. 0°'de, geçersiz kılma yerine kilitletir. Geçersiz kılmayı çalıştırmak için testereyi hafifçe sola eğin.

Kesimlerin kalitesi

Herhangi bir kesimin düzlüğü pek çok değişkene bağlıdır, bu değişkenlerden biri de kesilen malzemedir. Süpürgelik kesilmesi ve hassaslık gerektiren diğer işler için çok düzgün kesim gerektiğinde, keskin (60 dişli karpit) bıçak, daha yavaş ahşap kesimi için keskin (80-120 dişli karpit) bıçak ve daha da yavaş alüminyum düzenli bir kesim hızı en iyi sonuçları sağlayacaktır.



UYARI: Kesilen malzemenin kesim sırasında yürümemesine dikkat edin; parçayı sıkıca tespit edin. Kolu kaldırmadan önce daima bıçağın tamamen durmasını bekleyin. Kesilen parçanın arka kısmında hala küçük çaplı yırtılmalar oluyorsa, kesilecek ahşabın üzerine bir maskeleme

bandı yapıştırın. Bant boyunca kesim yapın ve işiniz bittiğinde bandı dikkatli bir biçimde çıkarın.

İş parçalarının aynı uzunlukta kesilmesi (Şekil 28)

Uzunluk sınırı (ee) iş parçalarını aynı uzunlukta kolayca kesmek için kullanılabilir.

Uzunluk sınırı, testere iş desteğine (ii) monte edilmiştir.

– Uzunluk sınırını (ee) açın

– İş desteğini (ii) gerekli uzunluğa ayarlayın

Testere tablasının uzatılması (Şekil 28)

1. Uzun parçalar için daima destek kullanın.
2. En iyi sonucu elde etmek için, testerenizin tezgah genişliğini arttıran iş desteği uzantısını (ii) kullanın. Uzun parçaları, uçlarının sarkmaması için bıçkı sehpa ya da benzer bir donanımla destekleyin.
3. Topuzu (h) gevşetin, iş desteğini (ii) gerektiği kadar uzatın. Topuzu (h) sıkın.

Kesilecek parçanın sabitlemesi (Şekil 3, 29, 30)

1. Mümkün olduğu durumlarda, ahşap/alüminyum iş parçasını testereye sabitleyin.
2. En iyi sonuçları elde etmek için testereyle kullanılmak üzere tasarlanmış dik mengene (gg) kullanın. Mümkün olduğu kadar, kesilecek parçayı kılavuza sabitleyin. Testere bıçağının her iki tarafında da sabitleyebilirsiniz; mengene, kesme kılavuzunun sağlam ve düz bir yüzeyine konumlandırmayı unutmayın.
3. Dik mengene yerleştirilmesi: Dik mengene Şekil 7'de gösterildiği gibi deliklere (mm) takıp ardından doğru konuma çevirin. Yatay kelepçe gerekliyse, lütfen yatay kelepçeyi Şekil 30'de gösterildiği gibi deliklere (qq) monte edin.



UYARI: UYARI: Demirden olmayan metalleri keserken her zaman mengene kullanın.



UYARI: Çok ufak parçaları keserken her zaman hem dik mengene hem de yatay kelepçeyi kullanın.

Alüminyum plakanın kesilmesi



UYARI: Asla kalın veya yuvarlak alüminyum plakaları kesmeye çalışmayın. Kalın alüminyum plakalar işlem sırasında gevşeyebilir ve yuvarlak alüminyum plakalar bu aletle sıkıca sabitlenemez.

Alüminyum plakaları sabitlerken, alüminyumun deformasyonunu önlemek için Şekil 22'de gösterilen destek parçaları veya hurda parçaları kullanın. Alüminyum malzemenin bıçak üzerinde birikmesini önlemek için alüminyum plakayı keserken bir yağlayıcı kullanın.

Resim çerçevesi, kutu ve diğer dört yüzüzlü projelerin kesilmesi (Şekil 32, 33)

Döşeme kalıbı ve diğer çerçeveler

Testerenizi «hissetmeyi» geliştirene kadar atık tahta parçaları kullanarak bir kaç basit proje deneyin. Testereniz, Şekil 32'da gösterilene benzer eğimli köşe kesimleri yapabilmek için mükemmel bir alettir. Şekilde gösterilen eklem meyil ayarlarından biri kullanılarak yapılmıştır.

Zıvana ayarının kullanılması

Her iki levhanın açıları 45°'ye ayarlanır, böylece 90°'lik bir köşe elde edilir. Döner tabla sıfır konumunda kilittir. Ahşap parçası, düz geniş tarafı tezgaha ve dar kenar kesme kılavuzuna bakacak şekilde yerleştirilir.

Gönye ayarının kullanılması

Aynı kesim, kesilecek parçanın geniş yüzeyi kesme kılavuzuna karşı yerleştirilerek sağa ve sola gönye açısı ile de yapılabilir.

İki çizim (Şekil 29, 30) yalnızca dört taraflı nesnelere içindir.

Gönye ve zıvana açıları, yüz sayısının artışına bağlı olarak değişmektedir. Aşağıdaki tabloda, bir dizi farklı şekiller için geçerli açılar belirtilmiştir; bu şekillerin yüzlerinin eşit uzunlukta olduğu varsayılmaktadır. Tabloda gösterilmeyen şekillerin gönye ya da zıvanayı belirlemek için 180°'yi şeklin toplam yüz sayısına bölün.

Yüz sayısı	Gönye veya zıvana açısı
4	45°
5	36°
6	30°
7	25.7°
8	22.5°
9	20°
10	18°

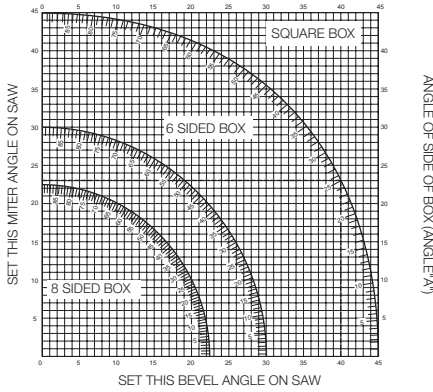
Bileşik gönye (Şekil 32, 33, 34, 35)

Birleşik gönye, bir gönye açısı (Şekil 30) ve bir zıvana açısını (Şekil 29) birlikte kullanarak yapılan bir kesimdir. Bu kesim türü, eğimli kenarları olan çerçeve ve kutuların yapımı için kullanılmaktadır, bk. Şekil 34.



UYARI: Kesim açısını, kesimden kesime değişmesi halinde, zıvana kelepçe kolu ve gönye sıkıştırma topuzunun güvenli bir şekilde sıkıştırıldığına dikkat edin. Bu kollar, gönye ya da zıvana değiştirildikten sonra sıkıştırılmalıdır.

- ◆ Aşağıdaki tablo, yaygın kullanılan bileşik gönye kesimleri için doğru meyil ve gönye ayarlarını seçmede size yardımcı olacaktır. Tabloyu kullanmak için, projenizin istenen "A" (Şekil 32) açısını kullanın ve bu açıyı tablodaki uygun yay üzerinde bulun. Bu noktadan tabloyu aşağıya doğru takip ederek doğru meyil açısını bulun ve düz çizgiyi takip ederek doğru gönye açısını bulun.



- ◆ Testerenizi bu açılara ayarlayın ve birkaç deneme kesimi yapın.
- ◆ Kesilen parçaları birleştirmeyi deneyin.
- ◆ Örnek: 25° dış açılı (açı "A") (Şekil 35) 4 taraflı bir kutu yapabilmek için sağ üst taraftaki eğriyi kullanın. Eğri ölçüğü üzerinde 25°'yi bulun. Testerenin gönye açısını (23°) bulmak için eğriyi kesen yatay çizgiyi her iki yönde takip edin. Aynı şekilde testerenin meyil açısı ayarını (40°) bulmak için eğriyi kesen dikey çizgiyi yukarıya ya da aşağıya doğru takip edin. Testere ayarlarını denemek için her zaman birkaç hurda ahşap parçası üzerinde kesim yapın.

Süpürgeliklerin kesilmesi

Süpürgelik kesmesi, 45°'lik bir zıvana açısında gerçekleştirilir.

- ◆ Herhangi bir kesim yapmadan önce her zaman elektrik kullanmadan deneme kesimi yapın.
- ◆ Tüm kesimler, testerenin üzerinde düz duran süpürgeliğin arka kısmıyla yapılır.

İç köşe

Sol taraf

1. Süpürgeliği, üst tarafı kesme kılavuzuna karşı gelecek şekilde yerleştirin.
2. Kesilen parçanın sol tarafını koruyun.

Sağ taraf

1. Süpürgeliği, alt tarafı kesme kılavuzuna karşı gelecek şekilde yerleştirin.
2. Kesilen parçanın sol tarafını koruyun.

Dış köşe

Sol taraf

1. Süpürgeliği, alt tarafı kesme kılavuzuna karşı gelecek şekilde yerleştirin.
2. Kesilen parçanın sağ tarafını koruyun.

Sağ taraf

1. Süpürgeliği, üst tarafı kesme kılavuzuna karşı gelecek şekilde yerleştirin.

2. Kesilen parçanın sağ tarafını koruyun.

Taç ve kornişlerin kesilmesi

Taç ve kornişlerin kesme işlemi bileşik gönyede gerçekleştirilir.

Tam bir doğruluk elde etmek için, testerenizde 31,6° gönye ve 33,9° zıvana skalasında işaretlenmiş önceden ayarlanmış açılı konumları vardır. Bu ayarlar üstte 52° açılı ve altta 38° açılı standart taç ve kornişleri içindir.

- ◆ Nihai kesimleri yapmadan önce atık malzeme kullanarak test kesimleri yapın.
- ◆ Tüm kesimler, sol zıvanada ve kornişin arkası tabana karşı gelecek şekilde yapılır.

İç köşe

Sol taraf

1. Kalıbın üst tarafı kesme kılavuzuna karşı gelecek şekilde yerleştirin.
2. Sağ gönye.
3. Kesilen parçanın sol tarafını koruyun.

Sağ taraf

1. Kalıbın alt tarafı kesme kılavuzuna karşı gelecek şekilde yerleştirin.
2. Sol gönye.
3. Kesilen parçanın sol tarafını koruyun.

Dış köşe

Sol taraf

1. Kalıbın alt tarafı kesme kılavuzuna karşı gelecek şekilde yerleştirin.
2. Sol gönye.
3. Kesilen parçanın sol tarafını koruyun.

Sağ taraf

1. Kalıbın üst tarafı kesme kılavuzuna karşı gelecek şekilde yerleştirin.
2. Sağ gönye.
3. Kesilen parçanın sağ tarafını koruyun.

Özel kesimler

- ◆ Tüm kesimler, malzemeyi tabla ve kesme kılavuzunun karşısına sabitleyerek yapılır. İş parçasının sağlam bir şekilde sabitlenmiş olduğundan emin olun.

Eğimli malzemeler (Şekil 36, 37)

Eğimli malzemeyi keserken, malzemeyi her zaman Şekil 35'te gösterildiği gibi yerleştirin, hiçbir zaman Şekil 36'da gösterildiği gibi yerleştirmeyin. Malzemeyi yanlış yerleştirmek, onun kesimin tamamlandığı yere yakın bıçağı kıştırmasına neden olacaktır.

Plastik boru ve diğer yuvarlak malzemelerin kesilmesi

Plastik boru testerenizle kolayca kesilebilir. Aynı tahta/alüminyum gibi kesilmeli, hareket etmesini önlemek için kesme kılavuzuna sıkıca bağlanmalı ve kelepçelenmelidir. Açılı kesimler yaparken bu özellikle önemlidir.

Geniş malzemelerin kesilmesi (Şekil 37)

Genellikle, bir tahta parçası testere muhafazanın aşağısına yerleştirmek için çok büyük olacaktır.

Şekil 37'de gösterildiği gibi muhafazayı biraz yukarı doğru çekmek fazladan boşluk kazanmayı sağlayabilir. Bunu yapmaktan mümkün olduğunca kaçınin, ancak eğer gerekiyise, testere düzgün bir biçimde çalışacak ve daha büyük bir kesim yapacaktır. BU TESTEREYİ ÇALIŞTIRIRKEN MUHAFAZAYI ASLA BAĞLAMAYIN, BANTLAMAYIN VEYA BAŞKA BİR ŞEKİLDE TUTMAYIN.

Toz atma (Şekil 2, 3)



Toz torbasını (ff) toz ağızına (n) takın.



UYARI: Mümkün olan hallerde toz emisyonlarıyla ilgili yönetmeliklere göre tasarlanmış bir toz atma aygıtı bağlayın.

Toz emisyonlarıyla ilgili yönetmeliklere göre tasarlanmış bir toz atma aygıtı bağlayın. Harici olarak bağlanan sistemlerin hava hızı 20 m/s ±2 m/s olacaktır. Hava hızı, alet bağlıyken ancak çalışmıyorken, bağlantı noktasında bağlantı boru içinde ölçülmelidir.

Nakliye (Şekil 2, 6)

Gönye testereyi gerektiği şekilde taşımak için, testere kolunun üstünde bir taşıma kolu (m) bulunmaktadır.

- ♦ Testereyi taşımak için, kafasını aşağı doğru indirin ve kilitleme pimine basın (o).
- ♦ Testereyi taşımak için her zaman taşıma kolunu (m) veya el girintilerini (r) kullanın.

BAKIM

STANLEY elektrikli aletiniz minimum bakımla uzun bir süre çalışacak şekilde tasarlanmıştır. Kesintisiz olarak memnuniyet verici bir şekilde çalışması gerekli özenin gösterilmesine ve düzenli temizliğe bağlıdır.

- ♦ Aletinizdeki havalandırma deliklerini yumuşak bir fırça veya kuru bir bezle düzenli olarak temizleyin.
- ♦ Motor muhafazasını düzenli olarak nemli bir bezle silin. Aşındırıcı veya çözücü bazlı temizleyiciler kullanmayın. Bu aletin servisi kullanıcı tarafından yapılmaz. Bir sorun çıkarsa, yetkili servisiyle temasa geçin.



Yağlama

Aletin tamamında kapalı tipte, yağ sızdırmaz bilyalı yataklar kullanılmıştır. Bu yataklar, fabrikada gönye testerenin kullanım ömrü boyunca yeterli miktarda yağla doldurulmuştur.



Temizleme

Kullanmadan önce, üst bıçak muhafazasını, hareketli alt bıçak muhafazasını ve uygun şekilde çalışacağından emin olmak için toz toplama borusunu dikkatli bir şekilde kontrol edin. Yongalar, toz veya üzerinde çalışan parçadan çıkan küçük parçacıkların fonksiyonlardan herhangi birinin engellenmesine yol açmayacağından emin olun.

Üzerinde çalışılan parçadan çıkan küçük parçacıkların testere bıçağı ile muhafazalar

arasında sıkışması halinde aletin güç kaynağıyla bağlantısını kesin ve Testere Bıçağının Takılması bölümünde verilen talimatları izleyin. Sıkışmış parçaları çıkartın ve testere bıçağını yeniden takın.



UYARI: Havalandırma deliklerinde ve etrafında toz toplanması halinde bu tozu ve kiri kuru hava kullanarak ana gövdeden uzaklaştırın. Bu işlemi gerçekleştirirken onaylı bir göz koruması ve onaylı toz maskesi takın.



UYARI: Aletin metalik olmayan parçalarını temizlemek için asla çözücü veya başka sert kimyasal kullanmayın. Bu kimyasallar bu parçalarda kullanılan malzemeleri güçsüzleştirir. Yalnızca su ve yumuşak sabunla nemlendirilmiş bir bez kullanın. Aletin içine sıvı kaçmasına kesinlikle izin vermeyin; aletin herhangi bir parçasını bir sıvı içine daldırmayın.



UYARI: Yaralanma riskini azaltmak için, çalışma tezgahının üstünü düzenli olarak temizleyin.



UYARI: Yaralanma riskini azaltmak için, toz toplama sistemini düzenli olarak temizleyin.

Alet EMNİYET GÜVENLİĞİ ve GÜVENİRLİK için motor kömürünün kontrol edilmesi ve değiştirilmesi dahil olarak tamir, bakım ve ayarlamaların her zaman orijinal Stanley yedek parça kullanılarak, STANLEY yetkili servisler tarafından yapılması gerekmektedir.

İLAVE AKSESUARLAR



UYARI: STANLEY tarafından tedarik veya tavsiye edilenlerin dışındaki aksesuarlar bu ürün üzerinde test edilmediğinden, söz konusu aksesuarların bu aletle birlikte kullanılması tehlikeli olabilir. Yaralanma riskini azaltmak için bu ürünle birlikte sadece STANLEY tarafından tavsiye edilen aksesuarlar kullanılmalıdır.

Uygun aksesuarlarla ilgili daha ayrıntılı bilgi için bayiinize danışın.

ÇEVRENİN KORUNMASI



Ayrı olarak atın. Bu ürün, normal evsel atıklarla birlikte atılmamalıdır.

STANLEY ürününüzün değiştirilmesi gerektiğini düşünmeniz veya artık kullanılmaz durumda olması halinde onu, evsel atıklarla birlikte atmayın. Bu ürünü, ayrı olarak toplanacak şekilde atın.



Kullanılmış ürünlerin ve ambalajların ayrı olarak toplanması bu maddelerin geri dönüşüme sokularak yeniden kullanılmasına olanak tanır. Geri dönüşümlü maddelerin tekrar kullanılması çevre kirliliğinin önlenmesine yardımcı olur ve ham madde ihtiyacını azaltır.

NOTLAR

STANLEY olarak, ürünlerimizi sürekli iyileştirme politikası uyguladığımızdan, önceden haber vermeden ürün özelliklerini değiştirme hakkını saklı tutarız.

Standart ekipman ve aksesuarlar ülkeye göre değişebilir.

Ürün özellikleri ülkelere göre farklı olabilir.

Komple ürün çeşidi tüm ülkelerde geçerli olmayabilir. Ürün çeşidi durumu hakkında lütfen en yakın STANLEY yetkili servisiyle temas kurun.

SERVİS BİLGİLERİ

STANLEY kendisine ait servis merkezleri ve/veya yetkili servisleriyle tam bir ağ sunmaktadır. Tüm STANLEY Servis Merkezleri müşterilere etkili ve güvenilir elektrikli el aleti hizmeti sunmak için eğitimli personel ile donatılmıştır. Eğer teknik danışmanlık, onarım veya orijinal fabrika yedek parçası ihtiyacınız varsa, size en yakın STANLEY merkezine başvurun.

TEKNİK ÖZELLİKLERİ**GÖNYE TESTERE**

SM18

Voltaaj	V_{AC}	220-240
Frekans	Hz	50-60
Giriş gücü	W	1800
Bıçak gövdesi kalınlığı	mm	2.8
Disk göbek deliği çapı	mm	30
Maks. bıçak hızı	dev/dak	4800
Gönye kapasitesi (maks.)	sol	47°
	Sağ	52°
Zivana kapasitesi (maks.)	sol	45°
	Sağ	45°
0° gönye, 0° zivana	92mm x 285mm / 80mm x 310mm	
45° gönye, 0° zivana	92mm x 190mm / 80mm x 210mm	
0° gönye, 45° zivana sol	47mm x 285mm / 45mm x 310mm	
45° gönye, 45° zivana sol	47mm x 190mm / 45mm x 210mm	
0° gönye, 45° zivana sağ	35mm x 285mm / 25mm x 310mm	
45° gönye, 45° zivana sağ	35mm x 190mm / 25mm x 210mm	
Otomatik bıçak fren süresi	s	<10.0
Ağırlık	kg	18.6

EN 62841'e göre ses basıncı düzeyi:

Ses basıncı (L_{pA})	dB(A)	94,5
Ses basıncı belirsizliği (K_{pA})	dB(A)	3
Akustik güç (L_{WA})	dB(A)	105,0
Akustik gücü belirsizliği (K_{WA})	dB(A)	3

GÜRÜLTÜ

Teknik veriler ve uygunluk beyanatu içerisinde belirtilen gürültü emisyon değerleri EN 62841 tarafından belirlenen standart bir test yöntemine uygun olarak ölçülmektedir ve diğer bir aletle karşılaştırma yaparken kullanılabilir. Beyan edilen gürültü emisyon değeri aynı zamanda maruz kalmanın önceden değerlendirilmesinde de kullanılabilir.



UYARI! Elektrikli aletin mevcut kullanımı sırasındaki gürültü emisyon değeri, aletin kullanım yöntemine bağlı olarak, beyan edilen değere göre farklılık sergileyebilir. Gürültü düzeyi belirlenen seviyenin üzerinde artış gösterebilir.

İşyerinde düzenli olarak elektrikli alet kullanan çalışanları korumak amacıyla 2002/44/EC tarafından getirilen elektrik güvenliği önlemlerini belirlemek üzere gürültüye maruz kalmayı değerlendirirken, çalışma döngüsü içerisinde örneğin aletin kapalı olduğu ve aktif durumda olmasının yanı sıra boşta çalıştığı zamanlar gibi, bütün zaman dilimleri dahil olmak üzere mevcut kullanım durumu ve aletin kullanım şekli göz önünde bulundurularak değerlendirilmelidir.

AT Uygunluk Beyanatu
MAKİNE DİREKTİFİ**SM18 - Gönye Testere**

STANLEY, «teknik özellikleri» bölümünde açıklanan bu ürünlerin aşağıda belirtilen yönergelere uygun olduğunu beyan eder: 2006/42/EC, EN 62841-1: 2015, EN 62841-2-4: 2014.

Bu ürünler ayrıca 2014/30/EU ve 2011/65/EU Direktiflerine de uygundur.

Daha fazla bilgi için, lütfen aşağıdaki adresten STANLEY ile irtibata geçin veya kılavuzun arkasına bakın. Bu belge altında imzası bulunan yetkili, teknik dosyanın derlenmesinden sorumludur ve bu beyanı STANLEY adına vermiştir.

Becky Cotsworth

Director – Outdoor Products Group

STANLEY FATMAX Europe,
Egide Walschaertsstraat14-18, 2800 Mechelen,
Belgium
04.2019

İKİ YILLIK GARANTİ

Sahip olduğunuz STANLEY ürünü satın alma tarihinden itibaren 24 ay içinde hatalı malzeme veya işçilik nedeniyle bozulursa, STANLEY aşağıdaki şartlara uyulması koşuluyla ücretsiz olarak tüm kusurlu parçaların yenilenmesini veya -kendi inisiyatifine bağlı olarak- satın alınan ürünün değiştirilmesini garanti eder:

- Ürün, hatalı kullanılmamış kullanım kılavuzuna uygun kullanılmıştır;
- Ürün yıpranmamış, hırpalanmamış ve aşınmamıştır;
- Yetkili olmayan kişilerce tamire çalışılmamıştır;
- Satın alma belgesi (fatura) ibraz edilmiştir;
- STANLEY ürünü, tüm orijinal parçaları ile birlikte iade edilmiştir;
- Ürün kiraya verilmemiştir.

Garanti talebinde bulunmak için, lütfen satıcıyla irtibata geçin veya STANLEY katalogunda belirtilen size en yakın STANLEY yetkili satıcı adresini kontrol edin veya ürünün kılavuzunda belirtilen adresteki yerel STANLEY yetkili tamir servisi ile temas kurun. İnternet'ten Stanley yetkili tamir servislerinin listesine ve satış sonrası hizmetlerimizle ilgili tüm bilgilerine aşağıdaki siteden ulaşabilirsiniz: www.2helpU.com

Sanayi ve Ticaret Bakanlığı tebligince kullanım ömrü 7 yıldır.

Türkiye Distribütörü

**STANLEY BLACK&DECKER TURKEY ALET
URETİM SAN. TIC. LTD.STI. AND Kozyatağı**

İçerenköy Mahallesi Umut Sokak

No:10-12 Kat :19 Ataşehir / İstanbul

Tel : (0216) 665 29 00

Faks : (0216) 665 29 01

E-posta: info-tr@sbdinc.com

ضمان لمدة سنتين

إذا تلف منتج STANLEY الخاص بك بسبب عيب في المواد أو جودة الصنع وذلك أثناء 24 شهر من تاريخ الشراء، فإن شركة STANLEY تضمن استبدال كل الأجزاء المعيبة

دون مقابل أو - وفقاً لتقديرنا - استبدال الوحدة بدون مقابل بشرط أن:

- عدم إساءة استخدام المنتج واستخدامه وفقاً لتعليمات الدليل؛
 - خضوع المنتج للاستهلاك العادل؛
 - عدم قيام أفراد غير معتمدين بالتصليح؛
 - تم إصدار دليل شراء؛
 - تم إرجاع منتج STANLEY كاملاً مع كل المحتويات الأصلية؛
 - لم يتم استخدام المنتج في أغراض التأجير.
- إذا رغبت في تقديم شكوى، اتصل ببائعك أو ارجع إلى دليل STANLEY للتعرف على مكان أقرب وكيل إصلاح معتمد من STANLEY أو اتصل بمكتب STANLEY المحلي لديك على العنوان الموضح في هذا الدليل. تتوفر قائمة بوكلاء الصيانة المعتمدين التابعين لشركة STANLEY والتفاصيل الكاملة لخدمات ما بعد البيع على الإنترنت على: www.2helpU.com

يمكن ألا تتوفر المجموعة الكاملة للمنتج في كل البلدان. اتصل بموزعي STANLEY لديك للتحقق من توفر المجموعة.

معلومات الخدمة

توفر شركة STANLEY شبكة كاملة من مراكز الصيانة المملوكة للشركة و/أو وكلاء الخدمة المعتمدين في جميع أنحاء بلدك. لدى كل مراكز صيانة STANLEY فرق عمل مدربة لإمداد العملاء بخدمة فعالة ومعتمدة للأدوات الكهربائية. إذا احتجت إلى مشورة فنية أو إجراء أي إصلاحات أو شراء قطع غيار أصلية، فاتصل بأقرب فرع STANLEY لديك.

البيانات الفنية

منشار زوايا	SM18	
220-240	الجهود الكهربائي	جهد تيار متردد
50-60	التردد	هرتز
1800	دخل الطاقة	وات
254	قطر الشفرة	ملم
2.8	سمك شق الشفرة	ملم
30	قطر التجويف	كجم
4800	سرعة الشفرة القصوى	دقيقة ¹
47°	الإمالة (الأوضاع القصوى)	يسار
52°		يمين
45°	الشطب (الأوضاع القصوى)	يسار
45°		يمين
92 ملم x 285 ملم / 80 ملم x 310 ملم	0° إمالة، 0° شطب	
92 ملم x 190 ملم / 80 ملم x 210 ملم	45° إمالة، 0° شطب	
47 ملم x 285 ملم / 45 ملم x 310 ملم	0° إمالة، 45° شطب متبقى	
47 ملم x 190 ملم / 45 ملم x 210 ملم	45° إمالة، 45° شطب متبقى	
35 ملم x 285 ملم / 25 ملم x 310 ملم	0° إمالة، 45° شطب حق	
35 ملم x 190 ملم / 25 ملم x 210 ملم	45° إمالة، 45° شطب حق	
<10.0	وقت استراحة الشفرة التلقائي	ثانية
18.6	الوزن	كجم

خفيف. لا تترك أي سوائل تتسرب إلى داخل الأداة؛ ولا تغمر أي جزء من أجزاء الأداة في السائل.

تحذير: لتجنب خطر التعرض للإصابات، نظف سطح الطاولة بانتظام.



تحذير: لتجنب خطر التعرض للإصابات، نظف نظام تجميع الغبار بانتظام.



للمحافظة على سلامة المنتجات وموثوقيتها في العمل، يجب إجراء جميع عمليات الإصلاح وفحص فرشاة الكربون والاستبدال وأي عمليات صيانة أو تعديل بواسطة مراكز خدمة STANLEY، وباستخدام قطع غيار Stanley دائماً.

ملحقات اختيارية

تحذير: بما أن أي ملحقات أخرى غير تلك المقدمة من قبل STANLEY لم تُختبر مع هذا المنتج، فإن استخدامها قد يكون خطراً للغاية. وللحد من خطر الإصابة، يجب استخدام الملحقات الموصى بها من قبل STANLEY فقط مع هذا المنتج.



راجع بائع التجزئة لديك لمزيد من المعلومات عن الملحقات المناسبة.

حماية البيئة

الجمع المنفصل. يلزم عدم التخلص من هذا المنتج مع القمامة المنزلية العادية.



إذا لزم في يوم ما استبدال منتج STANLEY الخاص بك، أو إذا لم تعد تستخدمه، فلا تتخلص منه مع القمامة المنزلية الأخرى. الرجاء فرز المنتج لتدويره بشكل منفصل. يسمح الجمع والفرز المنفصل للمنتجات المستعملة ومواد التغليف بإعادة تدوير المواد واستعمالها من جديد. تساعد إعادة استعمال المواد المُعاد تدويرها على منع التلوث البيئي وتقليل الطلب على المواد الأولية.



ملاحظات

تعتمد سياسة شركة STANLEY على التحسين المستمر لمنتجاتنا، ومن ثم فإننا نحفظ بحق إجراء أي تعديلات على خصائص المنتج بدون إشعار مسبق.

يمكن أن تتباين التجهيزات والملحقات القياسية من بلد لآخر. ويمكن أن تتباين مواصفات المنتج من بلد لآخر.

عمليات قطع خاصة

◆ تُجرى كل عمليات القطع مع تأمين المادة على الطاولة وفي مقابل السياج. تأكد من تأمين قطعة العمل بشكل صحيح.

مادة منحنية (الأشكال 37، 36)

عند قطع مادة منحنية يجب وضعها دائماً كما هو موضح في الشكل 35 وليس أبداً كما في هو موضح في الشكل 36. سوف يتسبب وضع المادة بطريقة خاطئة في الضغط على الشفرة عند اقتراب انتهاء القطع.

قطع الأنابيب البلاستيكية أو غيرها من المواد المستديرة

يمكن قطع الأنابيب البلاستيكية بسهولة بواسطة متشارك. ينبغي قطعها مثل الخشب/ الألومنيوم وتثبت بمشبك أو تُمسك بحزم على السياج لمنعها من الدوران. يُعد هذا مهم للغاية عند عمل قطع زاوية.

قطع المواد الكبيرة

أحياناً تكون قطعة الخشب كبيرة للغاية بحيث يصعب وضعها تحت واقى الشفرة. يمكن الحصول على ارتفاع إضافي عن طريق دفع الواقي لأعلى، كما هو موضح في الشكل 37. تجنب القيام بذلك قدر الإمكان، ولكن إذا اقتضى الأمر، سوف يعمل المنشار بطريقة صحيحة وينفذ عملية قطع أكبر. لا تربط الواقي أو تضع لاصقاً عليه أو تمسك به مفتوحاً مطلقاً أثناء تشغيل هذا المنشار.

استخراج الغبار (الأشكال 2، 3)

ضع كيس الغبار (ff) في أنبوب الغبار (n).



تحذير: كلما أمكن، أوصل جهاز استخلاص الغبار المصمم وفقاً للوائح المتعلقة فيما يخص انبعاث الغبار. أوصل جهاز تجميع الغبار المصمم وفقاً للوائح ذات الصلة. يجب أن تكون سرعة الهواء للأنظمة الخارجية المتصلة 20 م/ث ± 2 م/ث. يجب قياس السرعة في أنبوب التوصيل عند نقطة الاتصال، مع توصيل الأداة بدون تشغيلها.



النقل (الأشكال 2، 6)

من أجل حمل منشار الزوايا بطريقة مريحة، تم إرفاق مقبض الحمل (m) في الجزء العلوي من ذراع المنشار.

◆ لنقل المنشار، اخفض الرأس واضغط على مسمار القفل السفلي (o).

◆ من أجل حمل منشار الزوايا بطريقة مريحة، تم إرفاق مقبض الحمل (m) في الجزء العلوي من ذراع المنشار.

تم تصميم الأداة الكهربائية من STANLEY لكي تعمر لفترة طويلة بأقل قدر من الحاجة للصيانة. ويعتمد استمرار الآلة في أداء عملها على النحو المرضي على العناية المناسبة والتنظيف المنتظم.

◆ استخدم فرشاة ناعمة أو قطعة قماش جافة لتنظيف فتحة تهوية الأداة بانتظام.

◆ نظف مبيت المحرك بانتظام باستخدام قطعة قماش مبللة. لا تستخدم أي منظفات كاشطة أو مذيبة. لا يمكن صيانة هذا الجهاز بواسطة المستخدم. فإذا حدثت أي مشكلات، يجب الاتصال بوكيل إصلاح معتمد.

لتشحيم



تُستخدم دوماً محامل كروية من النوع المغلق مختومة ومشحمة. تحتوي تلك المحامل على تشحيم كافٍ تم تعبئته في المصنع حيث يستمر طوال عمر منشار الزوايا.

التنظيف



قبل الاستخدام، افحص واقى الشفرة العلوي وواقى الشفرة السفلي المتحرك وكذلك أيضاً أنبوب استخلاص الغبار لتحديد أن الآلة ستعمل بشكل سليم. تأكد أن الجذازات أو الغبار أو جزيئات قطعة العمل لن تؤدي إلى انسداد إحدى الوظائف.

في حالة انحشار شظايا قطعة العمل بين شفرة المنشار والواقيات، افصل الآلة عن مصدر التيار واتبع التعليمات الواردة في قسم تركيب شفرة المنشار. أزل كل الأجزاء المحشورة وأعد تجميع شفرة المنشار.

تحذير: تخلص من الأوساخ والأتربة المتراكمة بالعلبة الرئيسية عن طريق استخدام الهواء الجاف كلما رأيت التراب قد تجمّع في فتحات التهوية وحولها. أثناء القيام بهذا الإجراء، ارتدِ واقى العين معتمد مع قناع معتمد للوقاية من التراب.



تحذير: لا تستخدم مطلقاً المذيبات أو المواد الكيماوية القوية الأخرى لتنظيف الأجزاء غير المعدنية في الأداة. يمكن أن تتسبب تلك المواد الكيميائية في إضعاف المواد المستخدمة في هذه الأجزاء. استخدم قطعة قماش رطبة مع ماء وصابون

الجانِب الأيمن

1. ضع القالب مع توجيه أسفل القالب في مواجهة السياج.
2. احفظ الجانب الأيسر من القطع.

الركن الخارجي

الجانِب الأيسر

1. ضع القالب مع توجيه أسفل القالب في مواجهة السياج.
2. احفظ الجانب الأيمن من القطع.

الجانِب الأيمن

1. ضع القالب مع توجيه أعلى القالب في مواجهة السياج.
2. احفظ الجانب الأيمن من القطع.

قطع قمة القوالب

يُجرى قطع قمة القالب في قطع مائل مجمع.

بههدف الحصول على الدقة القصوى، يمتلك منشارك مواضع زوايا محددة مسبقاً عند زاوية مائلة 31.6° وهناك أيضاً علامة على مقياس شطب عند 33.9° . هذه الإعدادات مخصصة لقمة قوالب القياسية بزوايا 52° في الأعلى وزوايا 38° في الأسفل.

- ◆ نفذ عمليات قطع تجريبية باستخدام مواد خردة قبل إجراء عمليات القطع النهائية.
- ◆ تُجرى كل عمليات القطع على زاوية الشطب اليسرى مع مواجهة مؤخرة القالب للقاعدة.

الركن الداخلي

الجانِب الأيسر

1. قمة القالب في مواجهة السياج.
2. زاوية الميل اليمنى.
3. احفظ الجانب الأيسر من القطع.

الجانِب الأيمن

1. أسفل القالب في مواجهة السياج.
2. زاوية الميل اليسرى.
3. احفظ الجانب الأيسر من القطع.

الركن الخارجي

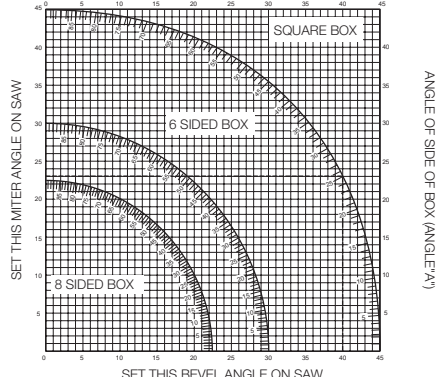
الجانِب الأيسر

1. أسفل القالب في مواجهة السياج.
2. زاوية الميل اليسرى.
3. احفظ الجانب الأيسر من القطع.

الجانِب الأيمن

1. قمة القالب في مواجهة السياج.
2. زاوية الميل اليمنى.
3. احفظ الجانب الأيمن من القطع.

من تلك النقطة اتبع الرسم البياني لأسفل لتجد زاوية الشطب الصحيحة واعبر بشكل عرضي لتجد زاوية الإمالة الصحيحة.



- ◆ اضبط منشارك على الزوايا الموصوفة وقم بعمل بعض عمليات القطع التجريبية.
- ◆ تدرب على تركيب الأجزاء المقطوعة معاً.
- ◆ مثال: لصنع مربع به جوانب مع زوايا خارجية 25° (الزاوية "A") (الشكل 35)، استخدم القوس الأيمن العلوي. ستجد الزاوية 25° على مقياس القوس. اتبع الخط المتقاطع الأفقي على أي جانب لتحصل على إعداد الزاوية المائلة على المنشار (23°). ومثل ذلك اتبع الخط المتقاطع الرأسي إلى الأعلى أو إلى الأسفل لتحصل على إعداد الزاوية المشطوبة على المنشار (40°). جرب دائماً عمليات قطع على بضع القطع من خردة الخشب للتحقق من الإعدادات على المنشار.

قطع قواعد القوالب

يُجرى قطع قواعد القوالب على زاوية شطب تبلغ 45° .

- ◆ أجري دائماً تشغيل تجريبي بدون طاقة قبل تنفيذ أي عمليات قطع.
- ◆ تُجرى كل عمليات القطع مع إرساء مؤخرة القالب مسطحة على المنشار.

الركن الداخلي

الجانِب الأيسر

1. ضع القالب مع توجيه أعلى القالب في مواجهة السياج.
2. احفظ الجانب الأيسر من القطع.

استخدام الضبط المشطوب

تم ضبط لوحتي زاوية الشطب على 45° لكل منهما، مكونة زاوية 90° . سوف يُقفل ذراع الزاوية على الوضع صفر. يوضع الجانب المسطح العريض من الخشب في مقابل الطاولة والحافة الضيقة في مقابل السياج.

استخدام ضبط الزاوية

يمكن عمل نفس القطع بواسطة الإمالة يمينًا أو يسارًا مع وجود السطح العريض في مقابل السياج.

الرسمان (الأشكال 29، 30) مخصصان للأشياء ذات الأربع جوانب فقط. في حالة تغيير عدد الجوانب، سيتغير كذلك الزوايا المائلة والمشطوبة. يوضح لك الرسم البياني التالي الزوايا المناسبة لمجموعة متنوعة من الأشكال، مع افتراض أن جميع الجوانب متساوية الطول. بالنسبة إلى شكل غير موضح في الرسم البياني، قسم 180° على عدد الجوانب لتحديد زاوية الإمالة أو الشطب.

مجموعة مائلة (الأشكال 32-29)

زاوية الإمالة أو الشطب	عدد الجوانب
45°	4
36°	5
30°	6
25.7°	7
22.5°	8
20°	9
18°	10

مجموعة مائلة (الأشكال 32، 33، 34، 35)

تُعد المجموعة المائلة هي قطع مصنوع باستخدام زاوية إمالة (الشكل 30) والزوايا المشطوبة (الشكل 29) في نفس الوقت. يُستخدم هذا النوع من القطع لصنع الإطارات أو الصناديق ذات الجوانب المائلة مثل هذا الموضح في الشكل 34.

تحذير: في حالة اختلاف زاوية القطع من قطع إلى آخر، تحقق أن مقبض مشبك الشطب ومقبض قفل الزاوية مثبتان بإحكام. يجب إحكام ربط هذين المقبضين بعد عمل أية تغييرات في الشطب أو الإمالة.



◆ سوف يساعدك الرسم البياني الموضح بالأعلى في تحديد إعدادات الشطب والميل الخاصة بالقطع المجمع المائل المشترك. لاستخدام الرسم البياني، حدد الزاوية المطلوبة "A" (الشكل 32) من مشروعك وحدد الزاوية على القوس المناسب في الرسم البياني.

تثبيت قطعة العمل بالمشبك (الأشكال 3، 29، 30)

1. ثبت خشب/الألومنيوم في المنشار، كلما أمكن ذلك.
2. للحصول على أفضل نتائج، استخدم مشبك (gg) مخصص للاستخدام مع منشارك. ثبت قطعة العمل بالسياج كلما أمكن هذا. يمكنك تثبيت أي من جانبي شفرة المنشار؛ تذكر أن تضع مشبكك في مقابل سياج بسطح صلب ومستوي.

3. تركيب المشبك: أدخل المشبك الرأسي في الثقوب (mm) كما هو موضح في الشكل 7، ثم قم بتدويره إلى الموضع الصحيح. في حالة الحاجة إلى المشبك الأفقي، برجاء تركيب المشبك الأفقي في الثقوب (qq) كما هو موضح في الشكل 30.

تحذير: استخدم دائمًا كلابات عند قطع المعادن الغير حديدية.

تحذير: استخدم دائمًا المشبكين الرأسي والأفقي عند قطع أجزاء صغيرة.



دعم القطع الطويلة (الأشكال 3، 8)

1. ادمع دائمًا القطع الطويلة.
2. لنتائج أفضل، استخدم ملحق داعم العمل (ii) لإطالة عرض طاولة منشارك. ادمع قطع العمل الطويلة باستخدام أية وسيلة مناسبة مثل حوامل النشر أو أجهزة مشابه لحماية الأطراف من السقوط.
3. تركيب داعم العمل (الشكل 8):

استخدم مفتاح ربط الشفرة المرفق (i) لتفكيك البراغي. أدخل داعم العمل في الثقوب (h).

أحكام ربط البراغي.

تقطيع قطاع الألومنيوم

تحذير: لا تحاول مطلقًا أن تقطع قطاعات الألومنيوم سميكة أو مستديرة. ربما تنحل قطاعات الألومنيوم السميكة أثناء العملية وكذلك لا يمكن تأمين قطاعات الألومنيوم المستديرة بحزم بواسطة تلك الأداة.



عند تأمين قطاعات الألومنيوم، استخدم كتل فاصلة أو قطع من الخردة كما هو موضح في الشكل 28 لتفادي تشوه الألومنيوم. استخدم مشحوم قطع عند تقطيع قطاع الألومنيوم لتفادي تراكم خامات الألومنيوم على الشفرة.

قطع إطارات الصور ومربعات الظل وغيرها من المشاريع

مربعة الجوانب (الأشكال 32، 33)

قص إطارات هيكلية وإطارات أخرى

جرب بعض المشاريع البسيطة باستخدام الخشب الخردة حتى تزيد "احساسك" بمنشارك. يُعد منشارك آلة مثالية لقص الزوايا مثل تلك الموضحة في الشكل 32. صُنع المفصل المشار إليه باستخدام الضبط المشطوب.

جودة القطع

تعتمد نعومة أي نوع من القطع على عدد من المتغيرات، على سبيل المثال نوع المادة التي تُقطع. عندما يُطلب قطع الأكثر نعومة لعمل قولبة وأعمال دقيقة أخرى، تُستخدم شفرة حادة (أسنان كريدية 60) أو أبطاً للأخشاب، وشفرة حادة (أسنان كريدية 120-80) أو أبطاً للألومنيوم، حتى يؤدي معد القطع إلى النتائج المرغوبة. **تحذير:** تأكد أن المواد لا تزحف أثناء القطع؛ ثبتها بشكل آمن في مكانها. اترك الشفرة تتوقف بالكامل دائماً قبل رفع الذراع. في حالة خروج ألياف خشبية صغيرة من مؤخرة قطعة العمل، الصق قطعة شريط لاصق حيث يُجرى القطع. انشر خلال الشريط اللاصق وأزال الشريط بعناية عند الانتهاء.



نشر قطع العمل من نفس الطول (الشكل 28)

يمكن استخدام مصد الطول (ee) لسهولة نشر قطع العمل من نفس الطول.

يتم تركيب مصد الطول على دعامة عمل المنشار (ii).

- أفرد مصد الطول (ee)

- اضبط دعامة عمل المنشار (ii) على الطول المطلوب

بسط طاولة المنشار (الشكل 28)

1. ادمع دائماً القطع الطويلة.
2. لنتائج أفضل، استخدم ملحق داعم العمل (ii) لإطالة عرض طاولة منشارك. ادمع قطع العمل الطويلة باستخدام أية وسيلة مناسبة مثل حوامل النشر أو أجهزة مشابهة لحماية الأطراف من السقوط.
3. أرخي المقبض (h)، ابسط دعامة العمل (ii) حسب الحاجة. ثم أحكم ربط المقبض (h).

قطع أطوال متكررة (الشكل 20)

عند قطع عدة أجزاء عديدة بنفس الطول، بنطاق يتراوح من 240 ملم إلى 380 ملم، استخدم لوح الضبط (ee).

ركب لوح الضبط في الحامل (ee) كما هو موضح في الشكل 20.

حاذي خط القطع في قطعة العمل الخاص بك مع الجانب الأيسر أو الأيمن من الأخدود في لوح الشق، وأثناء الإمساك بقطعة العمل، حرك لوح الضبط في مقابل مؤخرة قطعة العمل.

ثم أمن لوح الضبط بالبرغي.

عند عدم استخدام لوح الضبط، حرر البرغي وأخرج لوح الضبط بعيداً.

5. اضغط على مفتاح الزناد (l) لبدء تشغيل المحرك.

6. اضغط على رأس المنشار للسماح للشفرة بالقطع خلال الخشب والدخول في لوح الشق البلاستيكي (s).

7. بعد اكتمال القطع، حرر المفتاح وانتظر حتى تتوقف شفرة المنشار تماماً قبل إعادة الرأس وضع الراحة العلوي الخاص بها.

قطع عرضي مائل رأسي (الأشكال 1، 2، 25)

1. أرخي مقبض قفل الزاوية (e) واضغط على ماسكة الزاوية (l). حرك الرأس للييسار أو اليمين على الزاوية المطلوبة.

2. سوف يتم تحديد ماسكة الزاوية تلقائياً على زاوية 0° و15° و22.5° و31.6° و45°. وإذا كانت هناك حاجة إلى أي زاوية وسيطة أو زاوية 52° أمسك الرأس بحزم واقفله بواسطة إحكام ربط مقبض قفل الزاوية (e).

3. تأكد دائماً أن ذراع قفل الزاوية مقفل بإحكام قبل القطع.

4. استكمال القطع المستقيم الرأسي.

تحذير: عند تنفيذ قطع صغير مائل في نهاية قطعة خشب، ضع الخشب حيث يكون القطع في جانب الشفرة ذات الزاوية الأكبر ناحية السياج؛ على سبيل

المثال: الإمالة اليسرى، القطع في الجانب الأيمن - الإمالة اليمنى، القطع في الجانب الأيسر.



القطع المشطوب (الأشكال 1، 2، 26)

يمكن ضبط الزوايا المشطوبة من 0° مميئاً حتى 45° يساراً ويمكن قطعها بواسطة ذراع الزاوية المضبوط بين الصفر وأقصى موضع مائل بزاوية 45° مميئاً أو يساراً.

1. أرخي مقبض مشبك حاجز الجانب الأيسر (k) وأزلق الجزء العلوي من جانب السياج الأيسر (v) إلى اليسار بقدر ما يذهب. أرخي مقبض مشبك الشطب (p) وعين الشطب المطلوب.

2. أحكم ريش مقبض مشبك الشطب (p) بحزم.

3. استكمال القطع المستقيم الرأسي.



0° تجاوز الشطب (الشكل 27)

يسمح تجاوز مصد الشطب بإمالة المنشار على الموضع الأيمن بزاوية 0 درجة. عند التعشيق، سيتوقف المنشار تلقائياً عند 0 درجة عندما تنشأ من اليسار. للانتقال

مؤقتاً إلى الموضع الأيمن بزاوية 0، اسحب قفل الش (ff). بمجرد تحرير المقبض، سيحدد استخدام التجاوز. يمكن

قفل مقبض قفل الشطب بواسطة التواء المقبض 90 درجة. عند 0 درجة، سوف يقفل التجاوز في مكانه.

لتشغيل التجاوز، أمل المنشار قليلاً إلى اليسار.

قبل التشغيل

- ◆ لا تضع يدك مطلقاً بالقرب من منطقة القطع.
- ◆ ركب شفرة المنشار المناسبة. لا تستخدم بإفراط الشفرات المهترئة. ينبغي ألا تتجاوز سرعة الدوران القصوى للأداة سرعة شفرة المنشار.
- ◆ لا تحاول أن تقطع بإفراط قطعاً صغيرة.
- ◆ دع الشفرة تقطع بحرية. لا تضغط عليها.
- ◆ اترك المحرك يصل لأقصى سرعة له قبل القطع.
- ◆ تأكد أن مقابض الإقبال وأيدي المشابك محكمة الغلق.
- ◆ قم بتأمين قطعة العمل.
- ◆ على الرغم من أن هذا المنشار سوف يقطع الأخشاب والعديد من المواد الغير حديدية، فإن تعليمات التشغيل تشير إلى تقطيع الأخشاب فقط. تنطبق الإرشادات نفسها على المواد الأخرى. لا تقطع المواد الحديدية (الحديد والصلب) أو حجارة البناء بهذا المنشار! لا تستخدم أي أقراص جليخ!
- ◆ لا تقاطع بيديك.
- ◆ حافظ على قدميك ثابتتين على الأرض واحتفظ باتزان مناسب.
- ◆ تتبع ذراع المنشار كلما حركته لليسار أو اليمين، وقف بجانب شفرة المنشار قليلاً.
- ◆ انظر خلال فتحة الواقي المظللة لتتبع خط قلم الرصاص.

القطع بواسطة منشارك

عند قطع أي قطعة عمل أكبر من 110 82 x مل (82 74 x مل على قطع مائل 450)، استخدم حركة التراجع للأسفل مع إرخاء مقبض قفل القضيب (ddd). اسحب المنشار تجاهك، اخفض رأس المنشار للأسفل باتجاه قطعة العمل، وادفع المنشار ببطء مرة أخرى لإكمال القطع. لا تترك المنشار يتلامس مع قمة قطعة العمل أثناء سحبه. فقد يعمل المنشار باتجاهك، مما قد يتسبب في إصابة شخصية أو تلف في قطعة العمل.

في حالة عدم استخدام خاصية الانزلاق، فتأكد أن رأس المنشار مدفوعة للخلف إلى أقصى حد ممكن وأن قفل القضيب محكم الغلق. سيمنع هذا المنشار من الانزلاق بطول القضيبين عندما تكون قطعة العمل معشقة.

ملاحظة: على الرغم من أن هذا المنشار سوف يقطع الأخشاب والعديد من المواد الغير حديدية، فإننا سننصر الحديث على تقطيع الأخشاب فقط. تنطبق الإرشادات نفسها على المواد الأخرى. لا تقطع المواد الحديدية (الحديد والصلب) أو حجارة البناء بهذا المنشار. لا تستخدم أي شفرات جليخ.

عمليات قطع المنشار الأساسية

قطع عرضي مستقيم رأسي (الشكل 1، 2، 24)

1. أرخي مقبض قفل الزاوية (e) واضغط على ماسكة الزاوية (l) لتحرير ذراع الزاوية.
2. عشق مزلاج الزاوية على الوضع 0° وأحكم ربط مقبض قفل الزاوية (e).
3. ضع قطعة الخشب التي ستقطع في مواجهة السياج (v، c).
4. أمسك بذراع التشغيل (a) وادفع ذراع تثبيت الإيقاف (dd) باتجاه اليسار.

التشغيل والإيقاف (الشكل 23)

لتشغيل المنشار، ادفع ذراع تثبيت الإيقاف (dd) في اتجاه اليسار، ثم اضغط على مفتاح الزناد (l). سوف يعمل المنشار أثناء الضغط على المفتاح. اترك الآلة تدور بسرعة تشغيل كاملة قبل تنفيذ القطع. لإيقاف تشغيل المنشار، حرر المفتاح. اترك الشفرة تتوقف قبل رفع رأس المنشار. لا تتوفر وظيفة تثبيت التشغيل. يوجد ثقب (y) ملحق في الزناد من أجل إدخال قفل لإيقاف إيقاف التشغيل.

نظام مصباح العمل LED (الأشكال 1، 23)

إن نظام مصباح العمل LED مزود بزر تشغيل/ إيقاف تشغيل (bb). إن نظام مصباح العمل LED منفصل عن مفتاح زناد منشار الزوايا. لا يحتاج المصباح لأن يعمل من أجل تشغيل المنشار.

من أجل القطع خلال خط قلم رصاص موجود على قطعة خشب:

1. شغل النظام، ثم اسحب ذراع التشغيل (a) للأسفل لجعل شفرة المنشار قريبة من الخشب. سوف يظهر ظل الشفرة على الخشب.
2. حاذي خط قلم الرصاص مع حافة ظل الشفرة. ربما يجب عليك أن تضبط زوايا الميل أو الشطب بهدف المطابقة مع خط قلم الرصاص تمامًا.

وضع الجسم واليد

سوف يجعل الوضع الصحيح لجسمك وبيديك عند تشغيل منشار الزوايا عملية القطع أكثر سهولة وأكثر دقة وأمان.

حركة الشفرات.

- حرك لوحة إيقاف العمق (hhh) إلى المكان المبين في الشكل 20
- أمل رأس الأداة بواسطة اليد إلى الوضع الذي يتم فيه الوصول إلى عمق الأخدود المطلوب.
- قم بتدوير برغي الضبط (ss) في اتجاه عقارب الساعة حتى تلامس نهاية البرغي مصد المبيت.
- وجه ذراع الأداة ببطء إلى أعلى.

أعد مصد العمق لوحة (hhh) إلى وضعه الأصلي بمجرد عمل أخايد النشر.

تأكد من عدم ملامسة شفرات المنشار لأي جزء من القاعدة أو لوح الشق.

تشغيل ووضوح رؤية الواقي

صُمم واقي الشفرة في منشارك ليرتفع تلقائيًا عند انخفاض الذراع وينخفض فوق الشفرة عند ارتفاع الذراع.

يمكن رفع الواقي يدويًا عند تثبيت أو إزالة شفرات المنشار أو عند فحص المنشار. لا ترفع مطلقًا واقي الشفرة يدويًا حتى يتوقف تشغيل المنشار.

ملاحظة: سوف تتطلب بعض عمليات القطع الخاصة إلى رفع الواقي يدويًا. توجد فتحات مظلمة في القسم الأمامي من الواقي لإمكانية الرؤية أثناء القطع. وعلى الرغم من أن الفتحات المظلمة تقلل الشظايا الطائرة، إلا أنها تُعد فتحات في الواقي ويجب ارتداء نظارات السلامة دائمًا عند المشاهدة عبر الفتحات المظلمة.

المكبح الكهربائي التلقائي

جُهِز منشارك بمكبح شفرة كهربائي تلقائي يعمل على إيقاف شفرة المنشار في غضون 10 ثانية من تحرير الزناد. وهذا غير قابل للتعديل.

في بعض الأحيان، يحدث تأخير في تعشيق المكابح بعد تحرير الزناد. في حالات نادرة، ربما لا يتعشق المكبح على الإطلاق وستدور الشفرة حتى تتوقف.

في حالة حدوث تأخير أو "تجاوز"، شغل المنشار وأوقفه 4 أو 5 مرات. في حالة استمرار الحالة، أرسل الأداة ليتم فحصها في مركز خدمة STANLEY معتمد.

تأكد دائمًا أن الشفرة قد توقفت قبل إزالتها من الشق. لا يُعد المكبح بديلاً عن الواقي أو لضمان سلامتك عن طريق توجيه كل تركيزك للمنشار.

ضبط لوح الشق

لضبط ألوح الشق، أرخي المسامير التي تحمل لوح الشق في مكانه. اضبط ألواح الشق لأقرب ما يمكن دون أن تتداخل مع حركة الشفرات..

الفراشي (الشكل 1)

محاولة نقلها أو تغيير الملحقات أو إجراء أية

تعديلات.

افحص الفراشي الكربونية بانتظام بواسطة فصل الأداة عن التيار، وإزالة غطاء حامل الفرشاة (W) والذي يحمل مجموعة فرشاة ذات نابض محمل. حافظ على الفراشي نظيفة وإزالتها بحرية في مجراها. استبدل دائمًا الفرشاة المستعملة في نفس الاتجاه في الحامل كما كانت قبل إزالتها.

يجب تشغيل الأداة بدون حمل لمدة 10 دقائق قبل الاستخدام. قد يعمل المكبح الكهربائي بشكل غير منتظم حتى تُثبت الفراشي بشكل صحيح.

مقبض قفل القضيبي (الشكل 2)

يسمح مقبض قفل القضيبي (ddd) لك بقل رأس المنشار بإحكام دون الانزلاق على القضيبيين. يُعد ضروريًا عند إجراء عمليات قطع معينة أو عند نقل المنشار.

مصد الانزلاق (الشكل 21)

يعمل تحكم مصد الانزلاق (ggg) على تثبيت قضيبي منشارك حيث يمكن قطع أكبر قطع ممكنة من القوالب الرأسية. احكم ربط مقبض قفل القضيبي دائمًا عند استخدام مصد الانزلاق لمنع نظام الانزلاق من التحرك بدون قصد

دبوس قفل رأس المنشار للأسفل (الشكل 6)

لإقفال رأس المنشار في الوضع السفلي، ادفع الرأس للأسفل، وادفع الدبوس (e) للداخل وحرر رأس المنشار. سوف يحفظ هذا رأس المنشار بأمان في الأسفل عند نقل المنشار من مكان إلى آخر. للتحرير، اضغط على رأس المنشار للأسفل واسحب الدبوس للخارج.

الاستخدام



تحذير: احرص دائمًا على مراعاة تعليمات السلامة والقيود السارية.

تحذير: للحد من مخاطر الإصابة الجسدية الخطيرة، أوقف تشغيل الأداة وافصل الأداة من مصدر الطاقة قبل إجراء أي تعديلات أو إزالة/تركيب المرفقات أو الملحقات.

تأكد أن وضع الآلة يوفر لك حالات مريحة من حيث ارتفاع الطاولة والثبات. يجب اختيار موقع الآلة حيث يُتاح للمشغل نظرة عامة جيدة ومساحة محيطية حرة كافية حول الأداة تسمح له بالتعامل مع قطعة العمل بدون أي عوائق. لتقليل آثار الاهتزاز، تأكد أن درجة حرارة المحيط ليست باردة للغاية، وأن الآلة والمحلقة تمت صيانتهما جيدًا وأن حجم قطعة العمل مناسبة لهذه الآلة.

تحذير: لتقليل خطر الإصابة الشخصية الجسيمة، أوقف تشغيل الأداة وافصلها من مصدر التيار



تحذير: لا تلامس أطراف أسنان الشفرة مع المربع.



تحذير! قد يؤدي الإخفاق في عمل هذا إلى السماح للواقى بملامسة شفرة المنشار الدوارة مما يتسبب في تلف المنشار وإصابة شخصية بالغة.



تم ضبط منشار الزوايا الخاص بك بدقة في المصنع. في حالة الحاجة لإعادة الضبط بسبب الشحن أو المناولة أو لأي سبب آخر، اتبع الخطوات أدناه لضبط مناشرك. بمجرد إجراء الضبط، سوف يحتفظ بدقته.

فحص وضبط مقياس الميل (الأشكال 11، 12، 13)

1. أرخي مقبض قفل الزاوية (e)، اضغط على ماسكة الزاوية (t) لتحرير ذراع الزاوية. قم بتدوير ذراع الزاوية حتى يصل المزلاج إلى وضع الميل 0°. لا تتفعل مقبض قفل الزاوية (e).
2. اسحب الرأس لأسفل حتى تدخل الشفرة في شق المنشار (s).
3. ضع مربع (tt) في مقابل حاجز الجانب الأيسر (v) والشفرة (00) (الشكل 11).

تحذير: لا تلامس أطراف أسنان الشفرة مع المربع.



إذا كان الضبط مطلوبًا، اتبع التالي:

4. أرخي مقبض قفل الزاوية (e)، اضغط على ماسكة الزاوية (t) لتحرير ذراع الزاوية. قم بتدوير ذراع الزاوية حتى يشير المؤشر إلى 0° على مقياس الميل. أحكم ربط مقبض قفل الزاوية (e).
5. أرخي المقبض البلاستيكي (k) واستخدم مفتاح الربط (i) لإرخاء برغي مصد السياج (j). أزل حاجز الجانب الأيسر (v).
6. اسحب الرأس للأسفل واقفله في وضع منخفض بواسطة الضغط على مسمار القفل السفلي. أعد وضع حاجز الجانب الأيسر وضع مربع مقابل حاجز الجانب الأيسر والشفرة. مع وجود حاجز الجانب الأيسر مقابل المربع استخدم مفتاح ربط (i) لإحكام ربط المسامير السداسية على السياج بالترتيب بدءاً من الجانب الأيمن.

فحص وضبط الشفرة على الطاولة (الأشكال 14، 15، 16)

1. أرخي مقبض مشبك الشطب (p).
2. اضغط على ذراع الزاوية باتجاه اليمين للتأكد أنه عمودي على مصد موضع الزاوية الموجود مقابل مصد ضبط الوضع الرأسي (cc) وأحكم ربط مقبض مشبك الشطب.
3. اسحب الرأس لأسفل حتى تدخل الشفرة في شق المنشار (s).
4. ضع مثلث قائم الزاوية (tt) على الطاولة وفي الأعلى في مقابل الشفرة (00) (الشكل 15).

إذا كان الضبط مطلوبًا، اتبع التالي:

5. قم بتدوير برغي مصد ضبط الوضع الرأسي (bb) إلى الداخل وإلى الخارج حتى تصل الشفرة إلى زاوية 90° على الطاولة قياسًا مع المربع.
6. إذا كان مؤشر الزاوية (xx) لا يشير إلى صفر على مقياس الشطب (q)، أرخي البرغي (yy) الذي يؤمن المؤشر وحرك المؤشر حسب المطلوب.

ضبط السياج (الشكل 17)

يمكن ضبط الجزء العلوي من السياج لتوفير حيز خلوص، مما يسمح للمنشار بزوايا 45° يسارًا و0° يمينًا.

ضبط السياج الأيسر (v) والسيج الجانبي الأيمن (c)

1. أرخي المقبض البلاستيكي (k) وأزلق السياج للياسر.
2. أجرى تشغيل بدون حمل أثناء إيقاف تشغيل المنشار وتأكد من وجود حيز خلوص.
3. أحكم ربط المقبض بشكل آمن.



تحذير: يمكن أن تسد أخاديد التوجيه (zz) بغير النش. استخدم عصا أو ضغط هواء خفيف لتنقية أخاديد التوجيه.

فحص وضبط زاوية الشطب (الأشكال 17، 18، 19)

1. أرخي مقبض مشبك حاجز الجانب الأيسر (k) وأزلق الجزء العلوي من جانب السياج الأيسر إلى اليسار بقدر ما يذهب.
2. أرخي مقبض مشبك الشطب (p) وحرك ذراع المنشار إلى وضع الشطب المائل بزوايا 45 درجة.

إذا كان الضبط مطلوبًا، اتبع التالي:

3. أرخي صمولة القفل (ww) لعدة دورات ثم قم بتدوير برغي مصد ضبط وضع الشطب (aa) للداخل وللخارج حتى يشير المؤشر (xx) إلى زاوية 45° مع استقرار مصد موضع الزاوية (z) على مصد ضبط وضع الشطب.
4. أحكم ربط صمولة القفل (ww) بحزم أثناء الاحتفاظ ببرغي الإيقاف (aa) بدون حركة.
5. لتحقيق زاوية شطب يميني 0° أو شطب يسري 45°، يجب ضبط برغي مصد الضبط للسماح لذراع المنشار للتحرك حسب الحاجة.

ضبط مصد العمق (أخاديد النش) (الشكل 20)

هذه العملية ضرورية إذا كنت ترغب في نشر أخدود عن طريق ضبط لوح الشق لضبط ألواح الشق، أرخي المسامير التي تحمل لوح الشق في مكانه. اضبط ألواح الشق لأقرب ما يمكن دون أن تتداخل مع

تركيب شفرة المنشار (الأشكال 8، 9، 10)

تحذير: لتقليل خطر الإصابة، أوقف تشغيل الوحدة وافصل الآلة من مصدر الطاقة قبل تركيب أو إزالة الملحقات، أو قبل ضبط أو تغيير الإعدادات، أو قبل إجراء الإصلاحات. تأكد أن مفتاح الزناد على وضع الإيقاف «OFF». حيث قد يؤدي التشغيل العرضي إلى حدوث إصابة.



♦ لا تضغط مطلقاً على زر قفل محور الدوران أثناء دوران الشفرة أو أثناء وجودها في وضع الطاقة.

♦ لا تستخدم منشار الزوايا هذا في قطع السبائك الخفيفة أو المعادن الحديدية (التي تحتوي على الحديد أو الصلب) أو أحجار البناء أو منتج الإسمنت الليفي.

♦ يجب استخدام شفرة القطع المناسبة للمواد المختلفة.

1. أثناء تثبيت الواقي السفلي في الوضع المرتفع أرخي برغي دعامة الواقي (kk) حتى ترتفع دعامة الواقي (ll) بدرجة كافية للوصول إلى برغي إقفال الشفرة (nn).

2. اضغط على زر قفل محور الدوران (X) بإحدى يديك واستخدم باليد الأخرى مفتاح الربط (i) المرفق لإرخاء برغي إقفال الشفرة المولولة اليسرى (nn) بواسطة تدويره في اتجاه عقارب الساعة.

تحذير: لاستخدام قفل محور الدوران، اضغط على الزر كما هو موضح ثم أدر محور الدوران بيدك حتى تشعر بتعشيق القفل.



استمر في الضغط على زر القفل لمنع دوران المحور.

3. أزل برغي إقفال الشفرة (nn) وحلقة المحور الخارجية (pp).

4. ركب شفرة المنشار (00) على مهايئ الشفرة الموجود مباشرة في مقابل حلقة المحور (ff)، مع التأكد أن أسنان الحافة السفلية للشفرة تشير إلى مؤخرة المنشار (بعيداً عن المشغل).

5. استبدل حلقة المحور الخارجية (pp).

6. أحكم ربط برغي إقفال الشفرة (nn) بحذر بواسطة تدويره عكس اتجاه عقارب الساعة بينما تحتفظ بقفل محور الدوران معشقاً باليد الأخرى.

7. أرجع دعامة الواقي (ll) إلى وضعها الأصلي وأحكم ربط برغي دعامة الواقي (kk) لتثبيت الدعامة في مكانها.

تحذير! راعي أن تُستبدل شفرة المنشار بالطريقة الموصوفة فقط. استخدم فقط شفرات المنشار المحددة في البيانات الفنية.



تحذير! يجب إعادة دعامة الواقي (ll) إلى موضعها الأصلي وإحكام ربط برغي دعامة الواقي (kk) قبل تشغيل المنشار.

jj. برغي مصد السياج

kk. داعم خلفي

aaa. مقبض خلفي

bbb. داعم ذراع الزاوية

ccc. ذراع تثبيت داعم العمل

ddd. مقبض قفل القضيبة

fff. مقبض قفل الشطب

ggg. تحكم المصد الجانبي

التجميع والضبط



تحذير: لتقليل خطر الإصابة، أوقف تشغيل الوحدة وافصل الآلة من مصدر الطاقة قبل تركيب أو إزالة الملحقات، أو قبل ضبط أو تغيير الإعدادات، أو قبل إجراء الإصلاحات. تأكد أن مفتاح الزناد على وضع الإيقاف «OFF». حيث قد يؤدي التشغيل العرضي إلى حدوث إصابة.

تفريغ المحتويات (الأشكال 2، 4، 5، 6)

♦ أزل المنشار من مواد التغليف بعناية باستخدام مقبض الحمل (m) والمقبض الخلفي (aaa).

♦ استخدم مفتاح ربط الشفرة (i) المرفق لتثبيت الداعم الخلفي (mm) في مؤخرة القاعدة (g).

♦ استخدم مفتاح ربط الشفرة (i) لإزالة مسمار قفل الزاوية المؤقت (hh).

♦ تركيب مقبض قفل الزاوية (e) على ذراع منشار الزوايا.

♦ اضغط على ذراع التشغيل (a) للأسفل واسحب مسمار القفل السفلي للخارج (o)، كما هو موضح.

♦ حرر برفق الضغط للأسفل واسمح للذراع بالارتقاء إلى أقصى درجاته.

تركيب منصة العمل (الشكل 7)

♦ يتم توفير فتحات (j) في كل الفتحات الأربعة لتسهيل تركيب منصة العمل. ركب دائماً منشارك بحزم لتفادي الحركة.

♦ لتدعيم قابلية الحمل، يمكن تركيب الأداة على قطعة من الخشب الرقائقي بسمك 15 ملم أو أقل والتي يمكن تثبيتها بعد ذلك في داعم العمل الخاص بك أو نقلها إلى مواقع عمل أخرى وإعادة تثبيتها.

♦ عند تركيب منشارك على قطعة من الخشب الرقائقي، تأكد أن براغي التركيب لا تبرز من أسفل الخشب. يجب أن تستوي قطعة الخشب الرقائقي على داعم العمل. عند تثبيت المنشار على أي سطح عمل، اربط فقط برورات المشبك حيث توجد فتحات براغي التركيب. سيؤثر التركيب في أي نقطة أخرى على التشغيل السليم للمنشار.

♦ لتفادي التكبيل وعدم الدقة، تأكد أن سطح التركيب غير معوج أو غير مستوي. في حالة اهتزاز المنشار على السطح، ضع قطعة رقيقة تحت أحد أرجل المنشار حتى يثبت المنشار على سطح التركيب.

1 لوح قطع تكرار

1 دليل تعليمات

- ◆ تحقق من أي تلف قد يحدث في الأداة أو أجزائها أو الملحقات أثناء النقل.
- ◆ استغرق الوقت الكافي لقراءة وفهم هذا الدليل بالكامل قبل الاستخدام.

الوصف (الأشكال 1, 2, 3, 5, 6, 12, 23, 27, 28)

تحذير: يحظر تعديل الأداة الكهربائية أو أي جزء منها. فقد تتلف الأداة أو تتسبب في وقوع إصابة جسدية.



- a. ذراع التشغيل
- b. الواقي السفلي
- c. حاجز الجانب الأيمن
- d. الطاولة
- e. مقبض قفل الزاوية
- f. مقياس الميل
- g. القاعدة
- h. مقبض إطالة
- i. مفتاح الربط
- j. فتحات لتكيب الطاولة
- k. مقبض مشبك السياج
- l. مفتاح الزناد
- m. مقبض الحمل
- n. أنبوب الغبار
- o. مسمار القفل السفلي
- p. مقبض مشبك الشطب
- q. مقياس الشطب
- r. تجويف اليد

s. لوح الشق

t. ماسكة الزاوية

u. كود التاريخ

v. حاجز الجانب الأيسر

w. سدادة طرفية

x. قفل محور الدوران

y. ثقب للقفل

z. مصد موضع الزاوية

aa. مصد ضبط وضع الشطب

bb. مفتاح LED

cc. مصد ضبط الوضع الرأسي

dd. ذراع تثبيت الإيقاف

ee. مصد الطول

ff. حقيبة الغبار

gg. مشبك رأسي

hh. مسمار قفل الزاوية المؤقت

ii. داعم العمل

الميلصقات الموجودة على الأداة

بالإضافة إلى الرسوم التوضيحية المستخدمة في الدليل، تُظهر الميلصقات الموجودة على الأداة الرسوم التوضيحية التالية:

يجب قراءة دليل التعليمات قبل الاستخدام. تحذير! لتقليل خطر الإصابة، يجب على المستخدم قراءة دليل التعليمات قبل الاستخدام		
نظارات حماية أو أمان.		
واقى الأذن.		
ارتدِ قناع غبار.		
V	فولت	===
A	أمبير	n_0
Hz	هرتز	
W	وات	
min	دقائق	
\sim	تيار متردد	/min.
	عدد الدورات أو الترددات في الدقيقة	

موضع كود التاريخ (الشكل 1)

يوجد كود التاريخ، والذي يحتوي على سنة الصنع، مطبوعًا على العبوة.

XX XX 2019

مثال:

سنة الصنع

تحتوي العبوة على

1 منشار زوايا

1 مفتاح ربط للشفرة مخزن في جيب المفتاح

1 شفرة منشار

1 كيس غبار

1 مشبك رأسي

2 داعم العمل

1 داعم خلفي

مساحة المقطع العرضي للكابل (ملم ²)	تيار المقنن للكابل (أمبير)
0.75	6
1.00	10
1.50	15
2.50	20
4.00	25

طول الكابل (م)					
60	45	30	25	15	7.5

الجهد الكهربي	أمبير	تيار الكابل المقنن (بالأمبير)					
110-127	0 - 2.0	6	6	6	6	6	6
	2.1 - 3.4	6	6	6	6	6	15
	3.5 - 5.0	6	6	10	10	15	20
	5.1 - 7.0	10	10	15	15	20	25
	7.1 - 12.0	15	15	20	20	25	-
	12.1 - 20.0	20	20	20	20	25	-
230	0 - 2.0	6	6	6	6	6	6
	2.1 - 3.4	6	6	6	6	6	6
	3.5 - 5.0	6	6	6	6	10	15
	5.1 - 7.0	10	10	10	10	15	20
	7.1 - 12.0	15	15	15	15	20	20
	12.1 - 20.0	20	20	20	20	20	-

- ◆ لا تقطع أبداً سبيكة خفيفة، خاصة المغنيسيوم.
- ◆ كلما سمح الموقف، ركب الآلة على منصة عمل باستخدام البراغي.

المخاطر المتبقية

- المخاطر التالية ملازمة لاستخدام المناشير:
- إصابات تنشأ جراء ملامسة الأجزاء الدوارة
 - على الرغم من سريان تعليمات السلامة وتطبيق تجهيزات السلامة فهناك بعض المخاطر الأخرى التي لا يمكن تجنب وقوعها. وهي:

- تضرر السمع.
- مخاطر الحوادث الناجمة عن طريق الأجزاء المكشوفة لشفرة المنشار الدوارة.
- مخاطر الإصابة عند تغيير الشفرة.
- مخاطر الضغط على الأصابع عند فتح الغطاء الواقي.
- المخاطر الصحية الناجمة عن استنشاق الغبار المتكون عند نشر الخشب، بالذات البلوط والزان والخشب الليفي MDF.

تزيد العوامل التالية من خطر مشاكل التنفس:

- عدم توصيل مستخلص غبار أثناء نشر الخشب.
- استخلاص غبار غير كافي بسبب عدم تنظيف مرشحات العادم.

السلامة من مخاطر الكهرباء

- ينطبق جهد كهربائي واحد فقط على هذه الأداة. تحقق دائماً من أن مصدر الطاقة مماثل للجهد الكهربائي المبين على لوحة التصنيف.
- أداة STANLEY الخاصة بك مجهزة بطبقة عزل مزدوجة وبالتالي فلا داع لتأريضها

عند تلف سلك الطاقة فاحرص على إرساله إلى مركز خدمة STANLEY لاستبداله بسلك معد بعناية خاصة.

استخدام كابل إطالة

في حالة الحاجة لكابل إطالة، استخدم كابل إطالة ثلاثي معتمداً ومناسباً لدخل طاقة هذه الأداة (انظر البيانات الفنية). يبلغ أدنى حجم للموصل 1.5 ملم²؛ وأقصى طول 30 متر. عند استخدام بكرة كابل، افرد السلك بالكامل دائماً.

- ◆ تأكد أن كل مقابض الإقفال وأذرع المشابك محكمة قبل بدء أية عملية.
 - ◆ لا تضع يديك في منطقة الشفرة عن توصيل الشفرة بمصدر التيار الكهربائي.
 - ◆ لا تحاول مطلقاً أن توقف الآلة بحركة سريعة عن طريق حشر الأداة أو أي وسيلة أخرى في مقابل الشفرة؛ حيث قد تؤدي إلى حوادث خطيرة.
 - ◆ راجع دليل التعليمات قبل استخدام أية ملحقات. قد يتسبب الاستخدام الخير صحيح لأي ملحق في حدوث تلف.
 - ◆ استخدم حامل أو ارتدِ قفازات عند التعامل مع شفرة منشار.
 - ◆ تأكد أن شفرة المنشار مركبة بشكل صحيح قبل الاستخدام.
 - ◆ تأكد أن الشفرة تدور في الاتجاه الصحيح.
 - ◆ توخ الحذر عند عمل شق.
 - ◆ لا تستخدم شفرات ذات قطر أكبر أو أصغر من الموصى بها.
 - ◆ ارجع إلى البيانات التقنية لمعرفة تصنيف الشفرة المناسبة.
 - ◆ استخدم الشفرات المحددة في الدليل فقط، والمتوافقة مع EN 847-1.
 - ◆ راع استخدام شفرات مصممة خصيصاً للحد من الضوضاء.
 - ◆ لا تستخدم شفرات HSS.
 - ◆ لا تستخدم شفرات منشار مشقوقة أو تالفة.
 - ◆ لا تستخدم أي أقراص كاشطة أو ماسية.
 - ◆ لا تستخدم الآلة مطلقاً بدون لوحة الشق.
 - ◆ ارفع الشفرة من الشق في قطعة العملة قبل تحرير المنتج.
 - ◆ لا تضغط أي شيء في مقابل المروحة للإسماك بعمود المحرك.
 - ◆ سوف يرتفع واقبي الشفرة في منشارك تلقائياً عند تنزيل الذراع للأسفل؛ وسينخفض فوق الشفرة عند الضغط على ذراع تحرير قفل الرأس (CC).
 - ◆ لا ترفع مطلقاً واقبي الشفرة يدوياً حتى يتوقف تشغيل المنشار. يمكن رفع الواقبي يدوياً عند تثبيت أو إزالة شفرات المنشار أو عند فحص المنشار.
 - ◆ تحقق بشكل دوري أن فتحات تهوية المحرك نظيفة وخالية من الشوائب.
 - ◆ استبدل لوح الشق عند اهترائه. الرجوع إلى قائمة أجزاء الخدمة المدرجة.
 - ◆ افصل الآلة من مصدر التيار قبل إجراء أي عملية صيانة أو عند تغيير الشفرة.
 - ◆ لا تقم مطلقاً بإجراء أية أعمال تنظيف أو صيانة عندما تكون الآلة قيد التشغيل والرأس غير موجود في وضع الراحة.
 - ◆ ركب الآلة دائماً على منصة عمل كلما أمكن ذلك.
 - ◆ توجد فتحات مظلمة في القسم الأمامي من الواقبي لإمكانية الرؤية أثناء القطع. وعلى الرغم من أن الفتحات المظلمة تقلل الشظايا الطائرة، إلا أنها تُعد فتحات في الواقبي ويجب
- ارتداء نظارات السلامة دائماً عند المشاهدة عبر الفتحات المظلمة.
- ◆ أوصل دائماً المنشار بجهاز تجميع الأتربة عند نشر الخشب. ضع في اعتبارك دائماً العوامل التي تؤثر عند التعرض للغبار مثل:
 - نوع المادة المراد التعامل معها (يصدر الخشب المضغوط غبار أكثر من الخشب)؛
 - حدة شفرة المنشار؛
 - الضبط الصحيح لشفرة المنشار.
 - مستخلص غبار بسرعة هواء لا تقل عن 20 م/ث.
- تأكد أن الاستخلاص الموجود مثل الأغشية والمصعدات والمزالق مضبوطة بشكل صحيح.
- ◆ برجاء مراعاة العوامل التالية التي تؤثر عند التعرض للضوضاء:
 - استخدام شفرات منشار مصممة لتقليل الضوضاء المنبعثة
 - استخدم فقط شفرات منشار حادة جيداً؛
 - ◆ يجب إجراء صيانة الآلة بشكل دوري؛
 - ◆ يجب الإبلاغ عن أعطال الآلة، بما في ذلك الواقيات أو شفرة المنشار، بمجرد اكتشافها؛
 - ◆ توفير إضاءة عامة أو موضعية ملائمة؛
 - ◆ ضمان أن المشغل مُدرب بشكل كاف لاستخدام الأداة وضبطها وتشغيلها؛
 - ◆ ضمان أن الفواصل وحلقات محور الدوران مناسبة للغرض كما هو موضح في هذا الدليل.
 - ◆ الامتناع عن إزالة أية أجزاء مقطوعة أو أجزاء أخرى من قطعة العمل من منطقة القطع أثناء تشغيل الآلة ورأس المنشار ليس في وضع الراحة.
 - ◆ لا تقطع أبداً قطع العمل الأقل من 30 ملم (الشكل 34).
 - ◆ بدون دعم إضافي صُممت الآلة لتقبل قطع عمل يصل حجمها الأقصى إلى:
 - الارتفاع 75 ملم بعرض 140 ملم بطول 460 ملم
 - تحتاج قطع العمل الأكبر لتُدعم بواسطة طاولة إضافية مناسبة (تدعيم العمل). ثبت قطعة العمل بأمان دائماً.
 - ◆ في حالة وقوع حادث أو عطل للآلة، أوقف تشغيل الآلة على الفور وافصل الآلة من مصدر التيار.
 - ◆ بلغ عن العطل وضع علامة على الآلة بشكل مناسب لتفادي أن يستخدم أشخاص آخرون الآلة المعيبة.
 - ◆ عند إعاقة شفرة المنشار بسبب قوة تغذية غير طبيعية أثناء القطع، أوقف تشغيل الآلة وافصلها من مزود الطاقة. أزل قطعة العمل وتأكد أن شفرة المنشار تدور بحرية. شغل الآلة وابدأ عملية قطع جديدة مع قوة تغذية منخفضة.

الجزء المقطوع أو قطعة العمل، فيمكن أن يتسبب في رفع الواقي السفلي أو يُقذف من قبل الشفرة الدوارة.

♦ لا تستعين بشخص آخر كبديل لامتداد الطاولة أو كتدعيم إضافي. يمكن أن يتسبب التدعيم الغير مستقر لقطعة العمل في تكييل قطعة العمل أو إزاحة قطعة العمل أثناء العملية مما يدفعك أنت والمساعد باتجاه الشفرة الدوارة. يجب عدم الحشر أو الضغط على الجزء المقطوع بواسطة أي وسيلة في مقابل شفرة المنشار الدوار. في حالة حشره، باستخدام مصد الطول مثلاً، إلى علوق الجزء المقطوع في مقابل الشفرة وقذفه بعنف.

♦ استخدم دائماً مشبك أو مثبت مصمم لتدعيم المواد المستديرة بشكل صحيح مثل القضبان أو الأنابيب. تميل القضبان إلى الالتفاف أثناء القطع، مما يسبب في "حشر" الشفرة وسحب العمل مع يدك في اتجاه الشفرة.

♦ اترك الشفرة تصل إلى سرعتها القصوى قبل ملامسة قطعة العمل. سيقلل هذا من خطر قذف قطعة العمل.

♦ في حالة انحصار قطعة العمل أو الشفرة، أوقف تشغيل منشار الزوايا. انتظر حتى تتوقف كل الأجزاء المتحركة وافصل القابس من مصدر التيار وأزل علبة البطارية. ثم اعمل لتحرير المواد المحشورة. قد يتسبب استكمال النشر بقطعة عمل محشورة في فقدان التحكم أو تلف منشار الزوايا.

♦ بعد انتهاء القطع، حرر المفتاح واحتفظ برأس المنشار للأسفل وانتظر حتى تتوقف الشفرة قبل إزالة الجزء المقطوع. يُعد الوصول بيدك بالقرب من الشفرة المتحركة أمراً خطراً.

♦ أمسك المقبض بحزم عند إجراء قطع غير كامل أو عند تحرير المفتاح قبل تنزيل رأس المنشار للأسفل بالكامل. قد تتسبب عملية كبح المنشار في سحب رأس المنشار فجأة إلى الأسفل، مما يسبب خطر الإصابة.

قواعد السلامة الإضافية لمناشير الزوايا

♦ إن الآلة مزودة بسلك طاقة بتهيئة خاصة والذي يمكن تغييره فقط من قبل المصنع أو وكيل خدمة معتمد.

♦ لا تستخدم المنشار لقطع مواد أخرى غير تلك الموصى بها من قبل المصنع.

♦ لا تشغيل الآلة بدون وجود الواقيات في مكانها أو في حالة عدم عمل الواقيات أو عند عدم صيانتها بشكل صحيح.

♦ تأكد أن الذراع مثبتة بشكل آمن عند تنفيذ عمليات قطع مشطوب.

♦ حافظ على مساحة الأرضية حول مستوى الآلة، مصانة جيداً وخالية من المواد المنفصلة، على سبيل المثال، الرقائق والأجزاء المقطوعة.

♦ استخدم شفرات المنشار العادية بشكل صحيح. راقب علامة السرعة القصوى على شفرة المنشار.

قطعة العمل. ربما يسبب القطع للوراء في تسلق شفرة المنشار لأعلى قطعة العمل وإلقاء مجموعة الشفرة بعنف تجاه المشغل.

♦ لا تمرر يدك فوق خط القطع المستهدف سواءً أمام أو خلف شفرة المنشار. يُعد دعم قطعة العمل بواسطة "نقاطع اليد" خطراً للغاية، على سبيل المثال الإمساك بقطعة العمل على يمين شفرة المنشار بيدك اليسرى أو العكس.

♦ لا تصل خلف السياج بأي من يديك لمسافة تقل عن 100 ملم من جانبي شفرة المنشار، من أجل إزالة بقايا الخشب أو لأي سبب آخر أثناء دوران الشفرة. ربما لا تلاحظ قرب شفرة المنشار الدوارة من يدك مما قد يصيبك بجروح خطيرة.

♦ افحص قطعة العمل الخاصة بك قبل القطع، في حالة تقوس قطعة العمل أو إوجاجها، ثبتها بوضع الجانب المنحني الخارجي باتجاه السياج. تأكد دائماً من عدم وجود فجوة بين قطعة العمل والسياج والطاولة على طول خط القطع. ربما تلتوي قطع العمل المقوسة أو المعوجة أو تتزحزح مما قد يتسبب في تكييل شفرة المنشار الدوارة أثناء القطع. ينبغي عدم وجود أية مسامير أو أشياء غريبة على قطعة العمل.

♦ لا تستخدم المنشار إلا إذا كانت الطاولة خالية من كل الأدوات وبقايا الخشب، إلخ، باستثناء قطعة العمل. يمكن أن تُقذف البقايا الصغيرة أو الأجزاء الخشبية المرتخية أو أشياء أخرى التي تتصل بالشفرة الدوارة على السرعات العالية.

♦ اقطع فقط قطعة عمل واحدة كل مرة، حيث لا يمكن تثبيت قطع العمل المتعددة أو تدعيمها كما ينبغي وقد تكبل الشفرة أو تتزحزح أثناء القطع.

♦ تأكد من تثبيت منشار الزوايا أو وضعه على سطح مستو وثابت قبل الاستخدام. حيث يقلل سطح العمل المستو والثابت من خطر عدم استقرار منشار الزوايا.

♦ نظم عملك، في كل مرة تغير فيها إعدادات الزاوية المائلة أو المشطوبة، تأكد من أن السياج القابل للتعديل مضبوط بطريقة صحيحة لدعم قطعة العمل وأنه لن يتداخل مع الشفرة أو نظام الواقي. عندما لا تكون الأداة في وضع التشغيل "ON" وبدون أي قطعة عمل على الطاولة، حرك شفرة المنشار لعمل قطع افتراضي كامل للتأكد من عدم وجود تداخل أو خطر قطع السياج.

♦ وفر دعماً كافياً مثل امتدادات الطاولة وحوامل النشر وما شابه لقطعة العمل التي تكون معرض أو أطول من سطح الطاولة. يمكن أن تميل قطع العمل الأطول أو المعرض من طاولة منشار الزوايا إذا لم تدعم بشكل آمن. وفي حالة ميل

تؤثر على تشغيل الأداة الكهربائية. في حالة تلف الأداة الكهربائية، يجب إصلاحها قبل الاستعمال. تقع عديد من الحوادث جراء عدم صيانة الأدوات الكهربائية بشكل جيد. احرص على أن تظل أدوات القطع حادة ونظيفة. تساعد الصيانة المناسبة لأدوات القطع ذات الحواف القاطعة الحادة على جعلها أقل عرضة للانصاق وأكثر سهولة في التحكم بها.

استخدم الأداة الكهربائية والملحقات ولقم الأداة وما إلى ذلك بما يتوافق مع هذه التعليمات، مع الوضع في الاعتبار ظروف العمل والعمل المراد تنفيذه. حيث إن استخدام الأداة الكهربائية في تنفيذ مهام غير مخصصة لها يمكن أن يتسبب في التعرض لمواقف خطيرة.

حافظ على جفاف المقابض والأسطح القابضة ونظفها وخلوها من الزيت والشحم. فالمقابض والأسطح القابضة المنزقة لا تسمح بالتعامل مع الأداة والتحكم فيها بأمان في المواقف غير المتوقعة.

احرص على الاستعانة بموظف إصلاح مؤهل لخدمة الأداة الكهربائية باستخدام قطع الغيار المتطابقة فقط. حيث يضمن ذلك المحافظة على سلامة الأداة الكهربائية.

تعليمات السلامة لمُناسير الزوايا

تختص مناسير الزوايا في قطع الأخشاب أو المنتجات الشبيهة بالخشب، ولا يمكن استخدامها مع أقراص جليخ قاطعة لقطع المواد الحديدية مثل القضبان والأعمدة والمسامير إلخ. يتسبب غبار البلخ في لصب الأجزاء المتحركة مثل الواقي السفلي. سوف يؤدي الشرر الناتج من القطع الجالغ إلى حرق الواقي السفلي وفتحة الشق وأجزاء بلاستيكية أخرى.

استخدم المشابك لتدعيم قطعة العمل كلما أمكن ذلك. في حالة دعم العمل بيديك، يجب عليك دائماً إبقاء يدك على بعد 100 ملم على الأقل من جانبي شفرة المنشار. لا تستخدم هذا المنشار لقطع أجزاء صغيرة جداً والتي لا يمكن تثبيتها بالمشابك أو إمساكها باليد. في حالة وضع يديك في موضع شديد القرب من شفرة المنشار، يتزايد خطر الإصابة من ملامسة الشفرة.

يجب تثبيت قطعة العمل وتثبيتها أو وضعها بين السياج والطاولة. لا تحرك قطعة العمل في الشفرة أو تقطع "يدويًا" بأية حال. ربما تُقذف قطع العمل الغير مقبذة أو المتحركة عند السرعات العالية، مما يتسبب في إصابة.

ادفع المنشار خلال قطعة العمل. لا تسحب المنشار خلال قطعة العمل. لعمل القطع، ارفع رأس المنشار واسحبها فوق قطعة العمل بدون قطع، وابدأ تشغيل المحرك واضغط على رأس المنشار للأسفل وادفع المنشار خلال

علية البطارية أو التقاط أو حمل الأداة. إن حمل الأدوات الكهربائية وإصبعك على مفتاح التشغيل أو توصيل الأدوات الكهربائية بالتيار ومفتاح التشغيل الخاص بها في وضع العمل قد يتسبب في وقوع حوادث.

تخلص من أي مفاتيح ضبط أو ربط قبل تشغيل الأداة الكهربائية. يمكن أن يتسبب أي مفتاح أو مفتاح ربط تُرك متصلاً بالجزء الدوار في الأداة الكهربائية في وقوع إصابات جسدية.

تجنب المبالغة في مد جسدك. ضع قدميك في وضع مناسب وحافظ على اتزانك طوال الوقت. ويتيح لك ذلك التحكم بصورة أفضل في الأداة الكهربائية في المواقف غير المتوقعة.

ارتد زياً مناسباً. لا ترتد الملابس الفضفاضة أو الحلي. احرص على إبعاد شعرك وملابسك عن الأجزاء المتحركة. فقد تعلق الملابس الفضفاضة أو الحلي أو الشعر الطويل في الأجزاء المتحركة.

إذا كانت الأجهزة معدة للتوصيل بوسائل إزالة وجمع الأتربة، فتأكد من توصيلها واستخدامها بشكل مناسب. حيث إن استخدام وسائل جمع الأتربة يمكن أن يحد من المخاطر الناجمة عن تراكم الأتربة.

لا تسمح لاعتيادك على استخدام الأدوات بشكل متكرر أن يعبت داخلك اطمئناً قد يدفعك إلى تجاهل مبادئ السلامة المتعلقة باستخدام الأدوات. فأني تصرف طائش يمكن أن يتسبب في وقوع إصابات خطيرة في ملح البصر.

استخدم الأداة الكهربائية والعناية بها

لا ترغم الأداة الكهربائية على العمل. استخدم الأداة الكهربائية المناسبة لاستعمالك. ستقوم الأداة الكهربائية المناسبة بأداء العمل بشكل أفضل وأكثر أماناً وفقاً للمعدل التي صُممت لأجله.

لا تستخدم الأداة الكهربائية إذا لم يَقم المفتاح بالتشغيل والإيقاف. أي أداة كهربائية لا يمكن التحكم فيها باستخدام مفتاح التشغيل تكون خطيرة ويجب إصلاحها.

افصل القابس عن مصدر الكهرباء و/أو أخرج حزمة البطارية من الأداة الكهربائية إن كانت قابلة للإزالة قبل إجراء أي تعديلات أو تغيير أي ملحقات أو تخزين الأدوات الكهربائية. تعمل إجراءات السلامة الوقائية هذه على الحد من خطر بدء تشغيل الأداة الكهربائية بدون قصد.

خزّن الأدوات الكهربائية غير المستخدمة بعيداً عن متناول الأطفال، ولا تسمح للأشخاص الذين ليس لهم دراية بالأداة الكهربائية أو بهذا التعليمات بتشغيل الأداة الكهربائية. حيث تُشكل الأدوات الكهربائية خطراً كبيراً في أيدي الأشخاص غير المدربين.

صيانة الأدوات الكهربائية والملحقات. افحص الأداة جيداً لاكتشاف أي حالات عدم انتظام أو إعاقه في حركة الأجزاء المتحركة، وانكسار أي أجزاء وأي حالة أخرى يمكن أن

الغرض من الاستخدام

صُمم منشار زوايا STANLEY SM18 الخاص بك لقطع الخشب والألومنيوم ومنتجات الأخشاب ومنتجات الألومنيوم والبلاستيك. يقوم بعمليات النشر الخاصة بالقطع المتعارض والشطب والقطع المائل بسهولة وبدقة وبأمان. هذا الجهاز مُعد للاستخدام المحترف.

تعليمات السلامة

تُبين التعريفات الموضحة أدناه مستوى خطورة كل كلمة واردة. يُرجى قراءة الدليل مع مراعاة هذه الرموز.

خطر: يشير إلى موقف خطر وشيك سوف تنتج عنه الوفاة أو إصابات خطيرة في حال عدم تجنبه.



تحذير: يشير إلى موقف خطر محتمل من الممكن أن تنتج عنه الوفاة أو إصابات خطيرة في حال عدم تجنبه.



تنبيه: يشير إلى موقف خطر محتمل ربما تنتج عنه الوفاة أو إصابات خطيرة في حال عدم تجنبه.



ملاحظة: يشير إلى ممارسة لا تنطوي على إلحاق إصابات جسدية للمشغل، ولكن يمكن أن ينتج عنه تلف الممتلكات في حالة عدم تجنبه.

يشير إلى خطر التعرض لصدمة كهربائية.



يشير إلى خطر نشوب حريق.



تحذير: لتجنب خطر التعرض للإصابات، تجب قراءة دليل التعليمات.



تحذيرات عامة متعلقة بسلامة الأداة الكهربائية

تحذير! احرص على قراءة كل تحذيرات السلامة والتعليمات والرسوم التوضيحية ذات الصلة والمواصفات المرفقة مع الأداة الكهربائية. أي قصور في اتباع تعليمات السلامة الموضحة أدناه يمكن أن يتسبب في حدوث صدمة كهربائية و/أو نشوب حريق و/أو التعرض لإصابات بالغة.



احتفظ بكل التحذيرات والتعليمات كمرجع مستقبلي

يشير مصطلح "الأداة الكهربائية" الوارد في التحذيرات إلى الأداة الكهربائية المُشغلة عن طريق التيار الكهربائي (بسلك) أو بطارية (بدون سلك).

1. سلامة منطقة العمل

a. حافظ على نظافة وإضاءة منطقة العمل جيدًا. فالمناطق غير المرتبة أو المظلمة تتسبب في وقوع حوادث.

b. لا تشغل الأدوات الكهربائية في أجواء قابلة للانفجار، مثل

وجود غبار أو غازات أو سوائل قابلة للاشتعال. تطلق الأدوات الكهربائية شررًا يمكن أن يشعل الغبار أو الأبخرة. احرص على إبعاد الأطفال والأشخاص الموجودين في منطقة العمل عند تشغيل الأداة الكهربائية. فمن الممكن أن تجعلك المشتتات تفقد القدرة على التحكم.

2. السلامة من مخاطر الكهرباء

a. يلزم توافق قوايس الأداة الكهربائية مع مخرج التيار. يُحظر تعديل القابس بأي طريقة. كذلك لا تستخدم أي قوايس مهبأئة مع الأدوات الكهربائية المتصلة بالأرض (المؤرضة). حيث إن عدم تعديل القابس واستخدام مخارج تيار مناسبة يحد من مخاطر الصدمات الكهربائية.

b. تجنب ملامسة جسم الأداة مع أسطح مؤرضة أو أرضية، مثل المواسير والمدافئ والأفران والمبردات. يزداد خطر التعرض لصدمة كهربائية إذا كان جسمك موصولًا بالأرض أو في وضع تأريض.

c. لا تتعرض الأدوات الكهربائية للمطر أو لظروف رطبة. سوف يؤدي تسرب الماء إلى داخل الأداة الكهربائية إلى زيادة مخاطر التعرض للصدمات الكهربائية.

d. لا تسمي استخدام السلك. لا تستخدم السلك مطلقًا في حمل الأداة الكهربائية أو سحبها أو فصلها من المقبس. أبقِ السلك بعيدًا عن الحرارة أو الزيت أو الحواف الحادة أو الأجزاء المتحركة. تزيد الأسلاك التالفة أو المتشابكة من مخاطر التعرض للصدمات الكهربائية.

e. عند تشغيل الأداة الكهربائية في الخارج، استخدم سلك إطالة مناسبًا للاستخدام الخارجي. حيث إن استخدام سلك مناسب لأغراض الاستخدام الخارجي يقلل من مخاطر التعرض للصدمات الكهربائية.

f. إذا لم يكن هناك مفر من تشغيل الأداة الكهربائية في منطقة رطبة، فاستخدم شبكة تغذية محمية بقاطع الدائرة المتبقية (RCD). وذلك لأن استخدام قاطع دائرة يحد من مخاطر التعرض للصدمات الكهربائية.

3. السلامة الشخصية

a. كن متيقظًا وراقب ما تفعل واستخدم حسك العام عند تشغيل الأداة الكهربائية. لا تستخدم الأداة الكهربائية عندما تكون مجهدًا أو تحت تأثير المخدرات أو الكحوليات أو الأدوية. يمكن أن يؤدي عدم الانتباه للحظة أثناء تشغيل الأداة الكهربائية إلى وقوع إصابات جسدية بالغة.

b. استخدم معدات الحماية الشخصية. احرص دائمًا على ارتداء واقي العينين. سوف تساعد معدات الحماية -مثل قناع الغبار أو أحذية السلامة المقاومة للانزلاق أو الخوذة الصلبة أو واقي الأذن المستخدمة في ظروف مناسبة على الحد من التعرض للإصابات الجسدية.

c. تجنب بدء العمل بدون قصد. تأكد من أن المفتاح في وضع عدم التشغيل قبل التوصيل بمصدر التيار و/أو

