

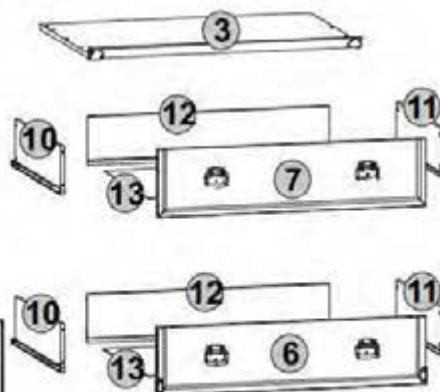
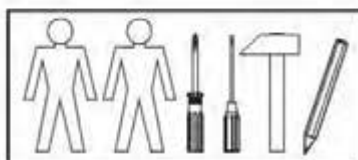
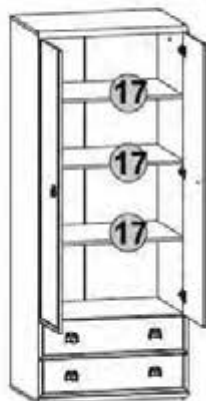
INDIANA

JSZF 2d2s

A	C	B	D
1	1916x540	S31-101	1/4
2	1916x540	S31-102	1/4
3	800x565	S31-201	2/4
4	800x565	S31-202	2/4
5	767x540	S31-301	1/4
6	796x196	S31-0002	4/4
7	796x196	S31-0006	4/4
8	1480x396	S31-004	4/4
9	1480x396	S31-005	4/4
10	500x140	S31-5501	1/4
11	500x140	S31-5502	1/4
12	710x140	S31-5503	1/4
13	720x498	S31-9904	1/4
14	1942x396	S31-1901	1/4
15	760x24	dr-760	1/4
16	1912x14	Lh-1912	1/4

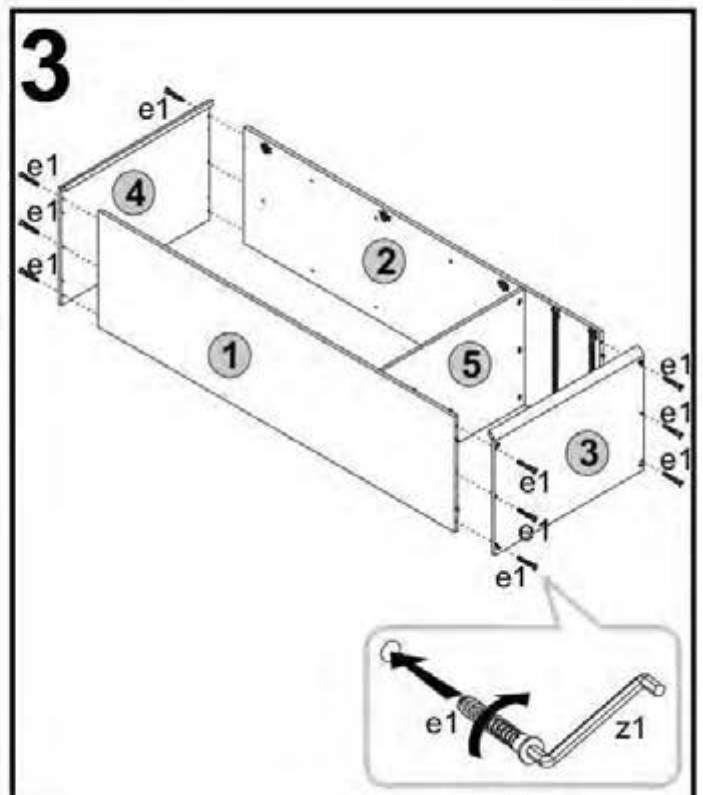
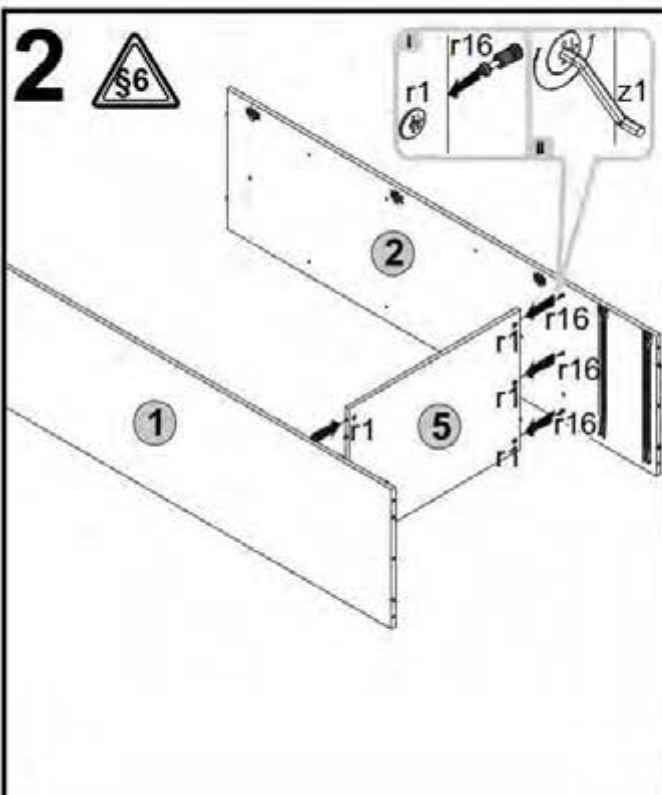
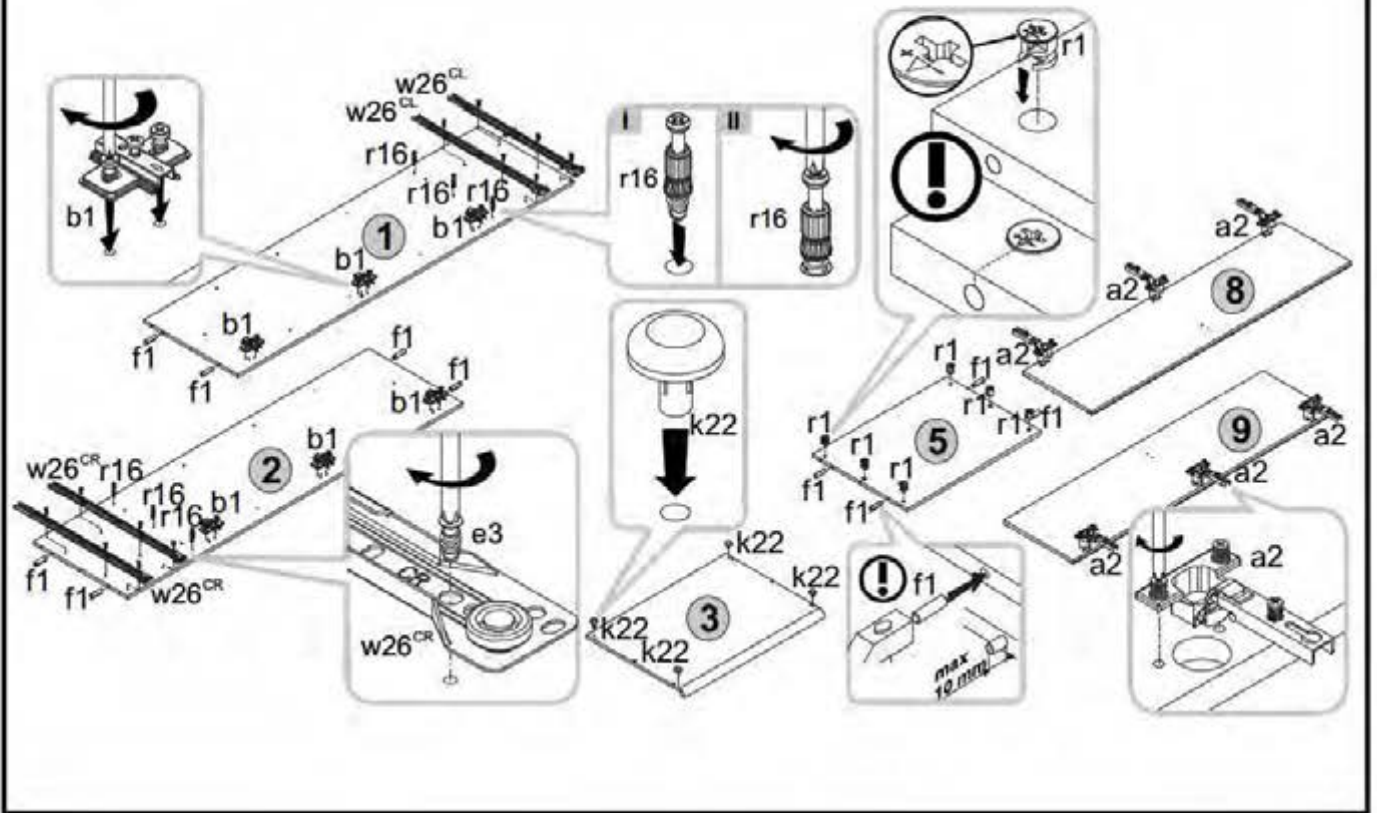


A	C	B	D
17	767x535	S31-302	1/1



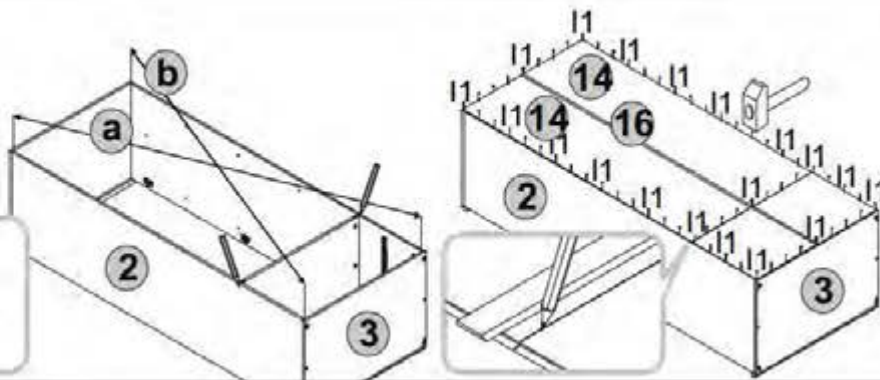
6x a2	6x b1	6x c158	12x e1
12x e3	12x e19	12x f1	8x f25
12x j30	4x k22	65x l1	
4x l27	2x l28 ^L	2x l28 ^R	2x n1
2x p1	4x p25	16x p83	
14x r1	14x r16	2x t17	2x w26 ^{CL}
2x w26 ^{CR}	2x w26 ^{DL}	2x w26 ^{DR}	
12x d1		1x z1	

1

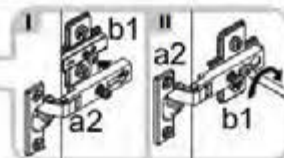
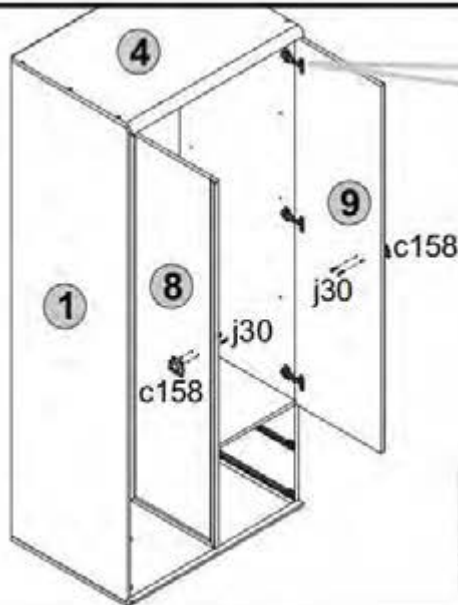


4

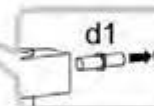
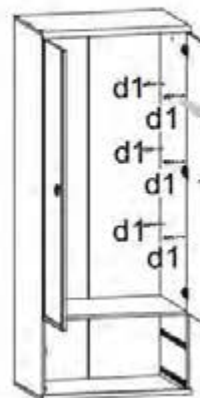
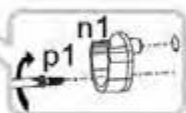
!
a=b



5



6



7

